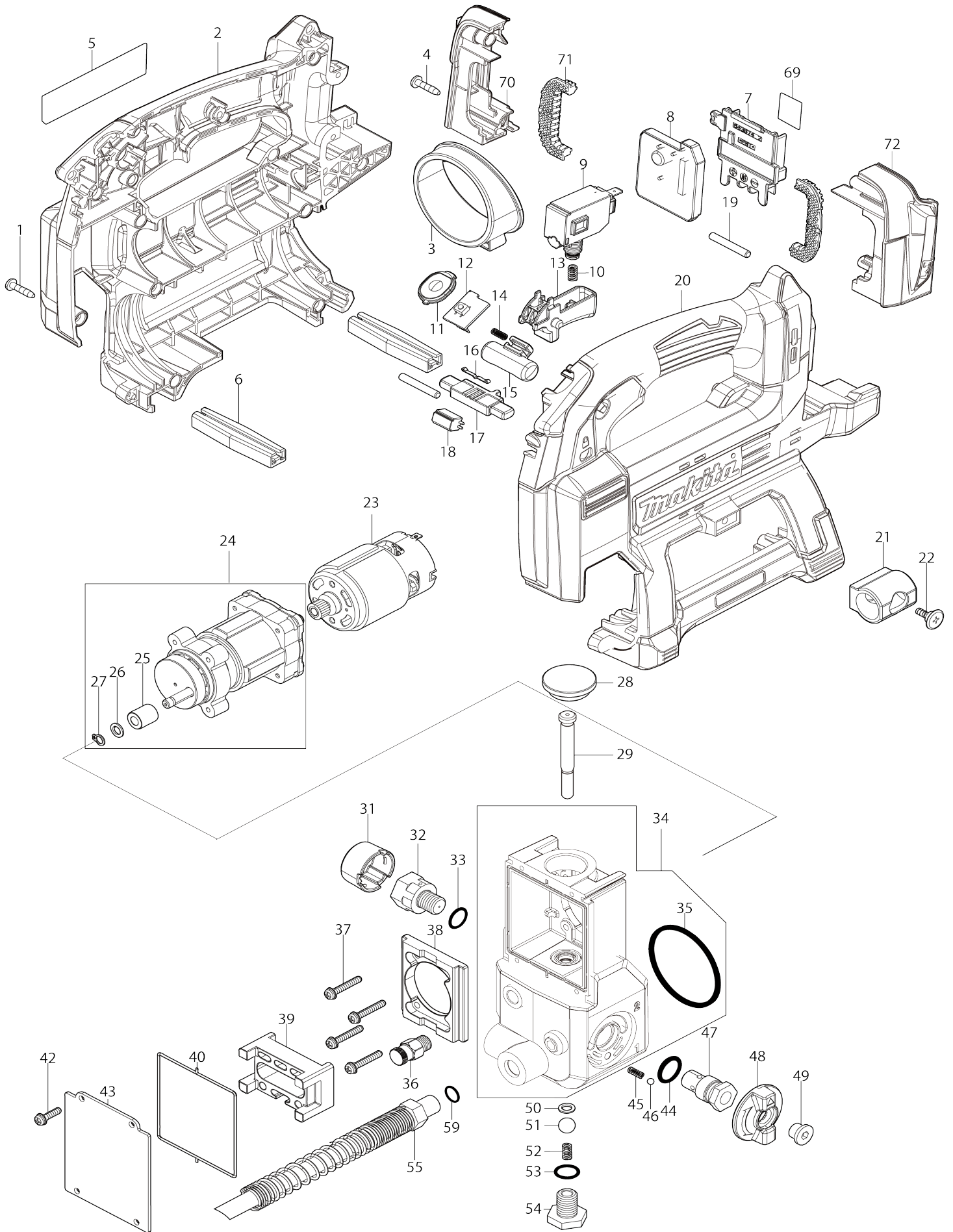


Model No.DGP180 CORDLESS GREASE GUN



Model No.DGP180 CORDLESS GREASE GUN

60

61

63

64

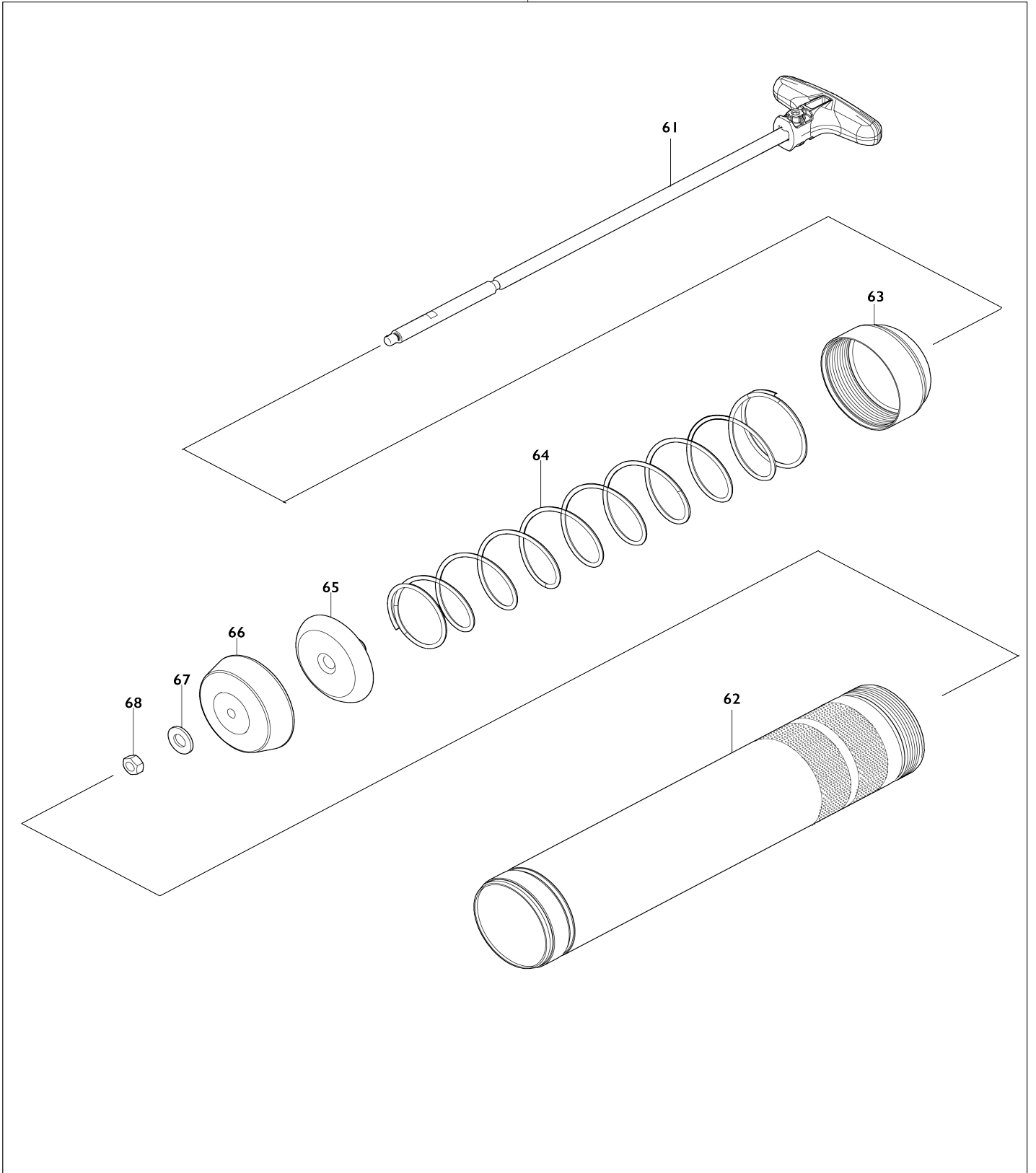
65

66

67

68

62



Model No.DGP180 CORDLESS GREASE GUN

Item No.	Parts No.	Description	Interchangability	Q'ty	New/Old	Note1	Note2
001	265995-6	TAPPING SCREW 4X18		13			
002	183R38-9	HOUSING SET		1			
C10	263002-9	RUBBER PIN 4		2			
C20	252126-6	HEX. LOCK NUT M4-7		2			
D10		INC. 20					
003	459621-9	BARREL HOLDER		1			
004	265995-6	TAPPING SCREW 4X18		2			
005	856C52-5	DGP180 NAME PLATE		1			
006	422479-9	FOOT		2			
007	644809-6	TERMINAL		1			
008	620A88-6	CONTROLLER		1			
C10	688164-6	LINE FILTER		1			
009	651391-8	SWITCH C3JW-6BM-PN		1			
010	233306-3	COMPRESSION SPRING 4		1			
011	140M75-6	SWITCH PLATE COMPLETE		1			
C10	819V26-1	SWITCH LABEL		1			
012	620A89-4	SWITCH CIRCUIT		1			
013	459623-5	SWITCH LEVER		1			
014	231433-0	COMPRESSION SPRING 4		1			
015	419705-5	LOCK ON BUTTON		1			
016	232201-4	LEAF SPRING		1			
017	459624-3	LOCK OFF BUTTON		1			
018	620A90-9	LED CIRCUIT		1			
019	268306-4	PIN 5		2			
020	183R38-9	HOUSING SET		1			
C10	263002-9	RUBBER PIN 4		2			
C20	252126-6	HEX. LOCK NUT M4-7		2			
D10		INC. 2					
021	422643-2	HOSE HOLDER		1			
022	265B56-4	+FLAT HEAD SCREW M4X14		1			
023	629387-7	DC MOTOR		1			
024	136124-7	GEAR ASSEMBLY		1			
D10		INC. 25-27					
025	214079-7	PLANE BEARING 6		1			
026	253477-0	FLAT WASHER 6		1			
027	961002-0	RETAINING RING S-6		1	*		
027-1	961022-4	RETAINING RING (EXT) ROUND S-6	O	1			
028	286043-8	CAP 32		1			
029	256951-7	SHOULDER PIN 7-8		1			
031	459622-7	VALVE COVER		1			
032	140M83-7	RELIEF VALVE COMPLETE		1			
033	213918-8	O-RING 12.5		1			
034	136128-9	PUMP HOUSING ASSY		1	*		
C10	265A55-0	H.S.SET SCREW(FLAT POINT)NPT 1/		1	*		
D10		INC. 35					
034-1	136128-9	PUMP HOUSING ASSY	O	1			

C11	265A55-0	H.S.SET SCREW(FLAT POINT)NPT 1/	O	1		
D10		INC. 35				
035	422476-5	RUBBER PACKING A		1		
036	162667-3	DRAIN VALVE		1	*	
036-1	162667-3	DRAIN VALVE	O	1	*	
036-2	162B92-0	DRAIN VALVE	O	1		
037	911148-2	PAN HEAD SCREW M4X25		4		
038	310961-9	SLIDER GUIDE		1		
039	310960-1	SLIDER		1		
040	422480-4	SEAL RING		1		
042	911128-8	P.H.SCREW M4X16 WITH WR		4		
043	347546-8	PUMP COVER		1		
044	213182-1	O RING 14		1		
045	233151-6	COMPRESSION SPRING 4		1		
046	216008-6	STEEL BALL 4		1		
047	140M82-9	CHANGE VALVE COMPLETE		1		
048	459620-1	THUMB		1		
049	265A57-6	HEX. SOCKET HEAD BOLT M10X7		1		
050	257494-2	RING 8		1		
051	216003-6	STEEL BALL 10		1		
052	232557-5	COMPRESSION SPRING 4		1		
053	213918-8	O-RING 12.5		1		
054	265A56-8	HEX BOLT M12X16		1		
055	191A79-9	FLEXIBLE HOSE 1200 SET		1	*	
C10	162662-3	ADAPTER		1	*	
055-1	191W58-9	FLEXIBLE HOSE 1200 SET	O	1		
C10	191W61-0	ADAPTER SET (1PCS)		1		
059	213054-0	O RING 9		1		
060	191B12-7	BARREL ASSEMBLY A SET		1	*	
D10		INC. 61-68				
060-1	122D16-0	BARREL ASSEMBLY A	O	1		
C10	413K05-1	FRONT PLATE A	S	1		
D10		INC. 61-68				
061	140T28-7	SHAFT COMPLETE		1		
C10	459619-6	LEVER		1		
C20	951116-3	SPRING PIN 4-20		1		
062	327379-7	BARREL A		1		
063	347543-4	CAP A		1		
064	232684-8	CONICAL SPRING		1	*	
064-1	232775-5	CONICAL SPRING	S	1		
065	413459-6	PLATE A		1		
066	422685-6	RUBBER SEAL A		1		
067	253494-0	FLAT WASHER 8		1	*	
067-1	941201-0	FLAT WASHER 8	S	1		
068	931302-2	HEX. NUT M6		1		
069	856C61-4	DGP180 SERIAL NO. LABEL		1		
070	187303-0	BATTERY HOUSING SET		1		
D10		INC. 72				
071	424473-7	CUSHION RUBBER		2		
072	187303-0	BATTERY HOUSING SET		1		
D10		INC. 70				

A01	166094-6	SHOULDER BELT		1		
F01	191A76-5	LOCK ON ADAPTER SET		1		
F02	191A77-3	ANGLE ADAPTER SET		1		
F09	191F24-4	CARTRIDGE BARREL A SET		1		
F11	191F27-8	CARTRIDGE BARREL C SET		1		
A02	821840-1	PLASTIC CARRYING CASE		1		
C10	162271-8	LATCH		2		
A03	***DC18RC	DC18RC FAST CHARGER		1		
D10		COMPO-PARTS				
A04	197280-8	BATTERY BL1850B SET		1		

Please state Parts No. when your order.

Print Date 24/10/2023