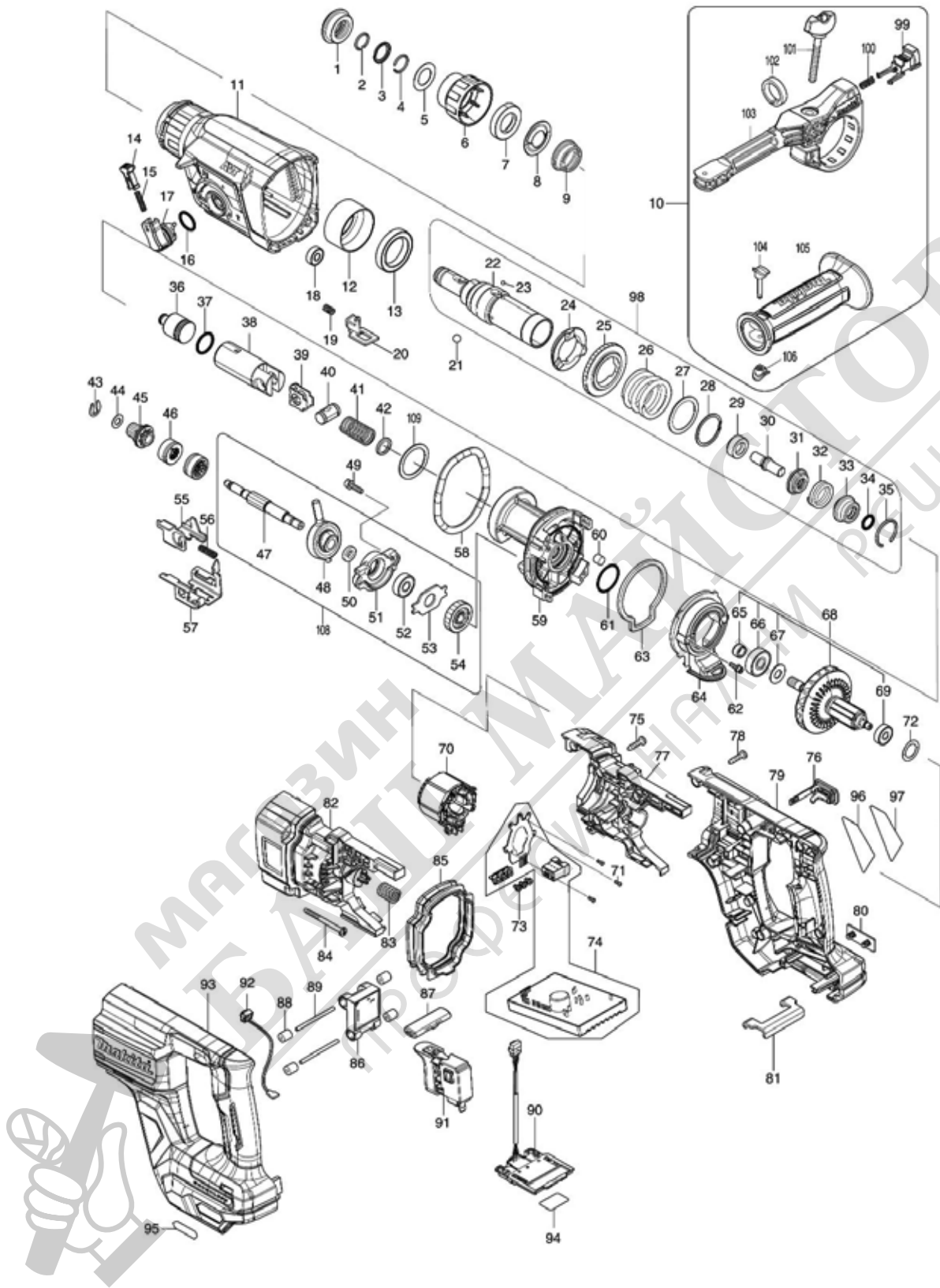


Model No.HR007G 28MM CORDLESS ROTARY HAMMER



| Nr. | Part nr. | Name |
|--------|----------|--------------------------------|
| 001 | 286288-8 | Rubber Stofkap 35 Hr2300 |
| 002 | 233989-9 | Veerring 14 Hr2300 |
| 003 | 346834-0 | Sluitrevet 16Mm Hr2631F |
| 004 | 233992-0 | Borgveer 15 Hr2300 |
| 005 | 267114-0 | Sluitring 17 Hr2300 A |
| 006 | 455393-4 | Beitelblokkeerkap Hr2630/31 A |
| 007 | 325813-1 | Blokkeerring 21 Hr2300 |
| 008 | 346177-0 | Geleiding Hr2300 |
| 009 | 233916-6 | Drukveer 21-29 Hr2440/50 |
| 010 | 122A94-2 | Zijhandgreep |
| 011 | 140D00-3 | Tandwielhuis Hr2651/61 A |
| 011C10 | 213636-8 | Keerring (Olie) 25 Hr2460 |
| 012 | 331890-3 | Bus Hr2300 |
| 013 | 211294-4 | Kogellager 6806Llu |
| 014 | 457709-9 | Blokkeerknop Hr2650/61 |
| 015 | 234264-6 | Drukveer 3X28Mm Hr1830F |
| 016 | 213278-8 | O-Ring 17 Hr2440/50 |
| 017 | 161656-5 | Verstelknop Compleet Hr2650/61 |
| 018 | 210028-2 | KOGELLAGER 606ZZ BSS610 P |
| 019 | 233360-7 | Drukveer 4 Hr23/2600 |
| 020 | 347228-2 | Blokkeerplaat Hr2650/61 |
| 021 | 216022-2 | Stalen Kogel 7.0 Hr2400 |
| 022 | 142972-4 | Boor/Beitelhouder Hr2631F A |
| 022C10 | 213344-1 | Keerring 9 Hr2811 A |
| 023 | 216019-1 | Stalen Kogel 3 |
| 024 | 332139-4 | Aandrijfflens Hr2300 A |
| 025 | 227360-7 | Tandwiel 51 Hr2300 A |
| 026 | 234148-8 | Drukveer 31Mm Hr2300 |
| 027 | 267153-0 | Sluitring 30 Hr2300 |
| 028 | 257932-4 | Borgring Spiro30 Hr2300 |
| 029 | 325783-4 | Bus 9B Hr2601 |
| 030 | 325789-2 | Slagstuk A Hr2300 |
| 031 | 325792-3 | Revet 10 Hr2601 |
| 032 | 234149-6 | Drukveer 20 Hr2601 |
| 033 | 325793-1 | O-Ring Huis B Hr2601 |
| 034 | 213073-6 | O-Ring 9 Hr2440/50 |
| 035 | 233979-2 | Veerring 28 Hr2300 |
| 036 | 327890-9 | Slagbout HR007G |
| 037 | 213258-4 | O-Ring 17.5 |
| 038 | 327079-9 | Zuiger DHR281/283 |
| 039 | 346036-8 | Geleidingsplaat Bhr261Rde |
| 040 | 324215-8 | Zuigerpen Hr2440/50 A |
| 041 | 232752-7 | Drukveer 14 HR007G |
| 042 | 253569-5 | Sluitring 14mm HR007G |
| 043 | 257336-0 | Stopring Ext U6 Bhr242 |
| 044 | 253186-1 | Sluitring 7 BSS610 P |

| Nr. | Part nr. | Name |
|--------|----------|-----------------------------|
| 045 | 227359-2 | Tandwiel 10 Hr2630/31 |
| 046 | 310678-4 | Koppelingsplaat M8701 |
| 047 | 327889-4 | Nokkenas HR007G |
| 048 | 219030-2 | Schommellager 10 DHR281/283 |
| 049 | 266437-3 | Inbusbout M4X16 A |
| 050 | 257321-3 | Ring 8 Mt870 |
| 051 | 310344-3 | Lagerhuis Hr2300 |
| 052 | 211032-4 | KOGELLAGER 608ZZ P |
| 053 | 285735-6 | Lagerborging Hr2300 |
| 054 | 227719-8 | Tandwiel 26 Hr2300 |
| 055 | 347230-5 | Wisselplaat B Hr2650/61 |
| 056 | 234343-0 | Drukveer 35 Hr2631F |
| 057 | 347882-2 | Wisselplaat A HR007G |
| 058 | 213728-3 | O-Ring 68 |
| 059 | 141F42-2 | Binnenhuis HR007G |
| 059C10 | 213678-2 | Keerring 12Mm Hr3210Ft A |
| 060 | 443153-6 | Dempingsvilt Hr2300 |
| 061 | 213407-3 | O-Ring 26 A |
| 062 | 251568-1 | Inbusbout M3X12Mm Hr2650/61 |
| 063 | 422780-2 | Sponsvel HR007G |
| 064 | 413A23-9 | Luchtkap HR007G |
| 065 | 262207-8 | Bus 9mm HR007G |
| 066 | 210042-8 | Kogellager 629Lib A |
| 067 | 253733-8 | Sluitring 9 |
| 068 | 519715-3 | Anker assy HR007G |
| 069 | 210022-4 | KOGELLAGER 626DDW |
| 070 | 629A89-1 | Veld HR007G |
| 071 | 266490-9 | Parker Ck 2X6Mm DDF483 P |
| 072 | 267804-5 | Borgring 15 DLS211Z P |
| 073 | 652069-6 | Kruiskop Schroef M3X6 |
| 074 | 620G33-7 | Controller HR007G |
| 075 | 266326-2 | Tap Schroef 4X18mm P |
| 076 | 140G30-2 | Afdekkap DSP601/DHR400 A |
| 076C10 | 213A05-9 | O-ring 16 SP001G |
| 077 | 183U22-2 | Motorhuis HR007G |
| 078 | 266326-2 | Tap Schroef 4X18mm P |
| 079 | 183U19-1 | Handgreepset HR007G |
| 079C10 | 263005-3 | Rubber Pen 6 AC320H P |
| 080 | 459753-2 | Kap HR007G |
| 081 | 347885-6 | Hulpplaat HR007G |
| 082 | 183U22-2 | Motorhuis HR007G |
| 083 | 232436-7 | Drukveer 10mm DHR281/283 |
| 084 | 266091-3 | Tapschroef 4X50 |
| 085 | 422779-7 | Balg HR007G |
| 086 | 620G35-3 | Toerneregeling HR007G |
| 087 | 453124-5 | L+R Schakelhendel Bhr242 |

Partdrawing for HR007GZ - Combihamer



| Nr. | Part nr. | Name |
|--------|----------|-------------------------------|
| 088 | 422472-3 | Demper HR001G |
| 089 | 256886-2 | As 3mm HR001G |
| 090 | 632R98-3 | Aansluitunit HR006G |
| 091 | 651439-6 | Schakelaar JR001G |
| 092 | 620G34-5 | Circuit led HR007G |
| 093 | 183U19-1 | Handgreepset HR007G |
| 093C10 | 263005-3 | Rubber Pen 6 AC320H P |
| 094 | 8113R6-5 | Label serienr HR007G |
| 095 | 8012U4-2 | Label XGT HS004G |
| 096 | 8113P9-5 | Naamplaat HR007G |
| 097 | 8043W5-9 | Label trp HR007G # |
| 098 | 135966-6 | Boor/beitelkophoud cpl HR003G |
| 099 | 144959-2 | Blokkeerknop DHR281/283 |
| 100 | 233360-7 | Drukveer 4 Hr23/2600 |
| 101 | 265625-9 | Vleugelbout M6x50mm |
| 102 | 422258-5 | Sponsrubber DHR281 |
| 103 | 413A49-1 | Zijhandgreep HR007G |
| 103 | 931302-2 | Zeskantmoer M6 |
| 104 | 161838-9 | Montagepin h-gr DHR281/283 |
| 105 | 458357-7 | Handgreep 36 DHR281/283 P |
| 106 | 422255-1 | Afdekkap handgrp DHR281/283 |
| 108 | 136584-3 | Nokkenasset HR007G |
| 109 | 267153-0 | Sluitring 30 Hr2300 |

МАГАЗИН МАЙСТОРА
БАШ МАЙСТОРА
ПРОФЕСИОНАЛНИ РЕШЕНИЯ

