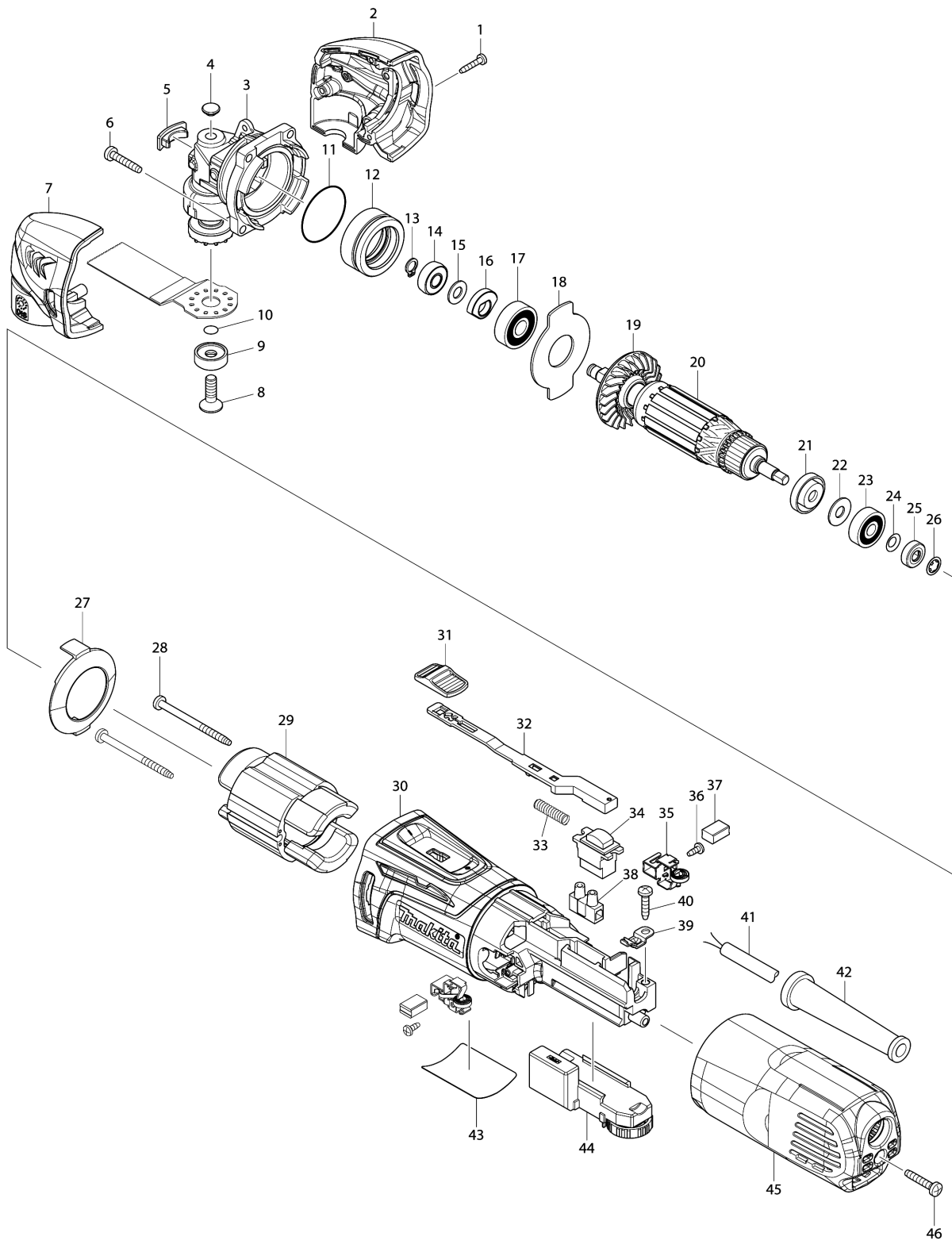


Model No.TM3000C MULTI TOOL



Model No.TM3000C MULTI TOOL

Item	Parts No.	Description	I/C	Qty	New/Old	Opt. 1	Opt. 2	Note
001	266429-2	TAPPING SCREW 3X16		3				
002	187373-9	HEAD COVER SET		1				
D10		INC. 7						
003A	141640-6	CRANK HOUSING COMPLETE		1	*			
003B	141640-6	CRANK HOUSING COMPLETE		1	*			
003C	141640-6	CRANK HOUSING COMPLETE		1	*			
003-1A	142075-4	CRANK HOUSING COMPLETE	<	1	*			
003-1B	142075-4	CRANK HOUSING COMPLETE	<	1	*			
003-1C	142075-4	CRANK HOUSING COMPLETE	<	1	*			
003-1D	142075-4	CRANK HOUSING COMPLETE		1	*			
003-1E	142075-4	CRANK HOUSING COMPLETE		1	*			
003-1F	142075-4	CRANK HOUSING COMPLETE		1	*			
003-2	142399-8	CRANK HOUSING COMPLETE	<	1				
004	424511-5	CRANK HOUSING CAP B		1				
005	424510-7	CRANK HOUSING CAP A		1				
006	266424-2	TAPPING SCREW 4X20		4				
007	187373-9	HEAD COVER SET		1				
D10		INC. 2						
008	266783-4	HEX.SOCKET C.S.H.SCREW M6X20		1	*			
008-1	265674-6	HEX. SOKCET HEAD BOLT M6X14	S	1				
009	224455-7	OUTER FLANGE 22		1	*			
010	213021-5	O RING 5		1	*			
011	213479-8	O RING 33		1				
012	326199-6	BEARING BOX		1				
013	961003-8	RETAINING RING S-7		1				
014	211392-4	SPHERE BEARING 706		1				
015	253133-2	FLAT WASHER 7		1				
016	313245-4	BALANCER		1				
017	211092-6	BALL BEARING 629DDW		1				
018	285857-2	BEARING RETAINER		1				
019	240140-4	FAN 46		1				
020	517683-4	ARMATURE ASSEMBLY 220- 240V		1				
D10		INC. 19,21-26						
021	681636-0	INSULATION WASHER		1				
022	267426-1	FLAT WASHER 7		1				
023	210023-2	BALL BEARING 627DDW		1				
024	267756-0	WAVE WASHER 6		1				
025	688174-3	MAGNET SLEEVE		1	*			
025-1	688117-5	MAGNET SLEEVE	O	1				
026	259039-2	SELF LOCK 6		1				
027	453828-9	BAFFLE PLATE		1				

Please order the parts with part number.

Print Date 31/3/2020

Model No.TM3000C MULTI TOOL

Item	Parts No.	Description	I/C	Qty	New/Old	Opt. 1	Opt. 2	Note
028	266415-3	TAPPING SCREW 4X55		2				
029	623558-8	FIELD 220-240V		1				
030	453823-9	MOTOR HOUSING		1				
031	453761-5	SWITCH KNOB		1				
032	453825-5	SWITCH LEVER		1				
033	234263-8	COMPRESSION SPRING 5		1				
034	651609-7	SWITCH SS106A-7-1		1				
035	643839-4	BRUSH HOLDER 6X9		2				
036	266492-5	TAPPING SCREW 3X8		2				
037	194722-3	CARBON BRUSH CB-459		1				
038	654532-5	TERMINAL BLOCK 1P		1				
039	687681-3	STRAIN RELIEF		1				
040	266326-2	TAPPING SCREW 4X18		1				
041	665399-6	POWER SUPPLY CORD 1.0-2-5.0		1				
042	682569-2	CORD GUARD 8-85		1				
043	897303-9	TM3000C NAME PLATE		1				
044	620149-6	CONTROLLER		1				
045	453824-7	REAR COVER		1				
046	266424-2	TAPPING SCREW 4X20		1				
A01	410047-0	WRENCH HOLDER 5.6		1				
A02	783203-8	HEX. WRENCH 5		1				
A03B	196055-2	TOOL SET K		1	*			
A03C	196144-3	TOOL SET R		1	*			
A03D	454247-2	PIN 4		4				
A03E	454247-2	PIN 4		4				
A03F	454247-2	PIN 4		4				
A04B	821537-2	PLASTIC CARRYING CASE		1	*			
C10	162315-4	LATCH		2	*			
C20	452137-3	HANDLE		1	*			
A04C	821537-2	PLASTIC CARRYING CASE		1	*			
C10	162315-4	LATCH		2	*			
C20	452137-3	HANDLE		1	*			
A04D	821538-0	TOOL BOX		1				
A04E	821550-0	CONNECTOR PLASTIC CASE (TYPE2)		1	*			
C10	453974-8	LATCH		4	*			
A04F	821550-0	CONNECTOR PLASTIC CASE (TYPE2)		1	*			
C10	453974-8	LATCH		4	*			
A04-1B	821596-6	PLASTIC CARRYING CASE	<	1				
C10	162315-4	LATCH		2				
C20	452137-3	HANDLE		1				
A04-1C	821596-6	PLASTIC CARRYING CASE	<	1				

Please order the parts with part number.

Print Date 31/3/2020

Model No.TM3000C MULTI TOOL

Item	Parts No.	Description	I/C	Qty	New/Old	Opt. 1	Opt. 2	Note
C10	162315-4	LATCH		2				
C20	452137-3	HANDLE		1				
A04-1E	821550-0	CONNECTOR PLASTIC CASE (TYPE2)	<	1				
C10	453974-8	LATCH		4				
A04-1F	821550-0	CONNECTOR PLASTIC CASE (TYPE2)	<	1				
C10	453974-8	LATCH		4				
A05B	800F11-9	TM3000CX1 PLASTIC CASE LABEL		2				
A05C	800F14-3	TM3000CX3 PLASTIC CASE LABEL		2				
A05D	821550-0	CONNECTOR PLASTIC CASE (TYPE2)		1	*			
C10	453974-8	LATCH		4	*			
A05E	837673-4	INNER TRAY		1				
A05F	837673-4	INNER TRAY		1				
A05-1D	821550-0	CONNECTOR PLASTIC CASE (TYPE2)	<	1				
C10	453974-8	LATCH		4				
A06B	196022-7	DUST ATTACHMENT SET		1	*			
C10	443177-2	FELT RING 37		1	*			
C20	453829-7	DUST ATTACHMENT		1	*			
C30	453832-8	JOINT		1	*			
C40	453834-4	DUST NOZZLE A		1	*			
C50	453835-2	NOZZLE BAND A		1	*			
A06C	196022-7	DUST ATTACHMENT SET		1	*			
C10	443177-2	FELT RING 37		1	*			
C20	453829-7	DUST ATTACHMENT		1	*			
C30	453832-8	JOINT		1	*			
C40	453834-4	DUST NOZZLE A		1	*			
C50	453835-2	NOZZLE BAND A		1	*			
A06D	837673-4	INNER TRAY		1				
A06E	196022-7	DUST ATTACHMENT SET		1	*			
C10	443177-2	FELT RING 37		1	*			
C20	453829-7	DUST ATTACHMENT		1	*			
C30	453832-8	JOINT		1	*			
C40	453834-4	DUST NOZZLE A		1	*			
C50	453835-2	NOZZLE BAND A		1	*			
A06F	196022-7	DUST ATTACHMENT SET		1	*			
C10	443177-2	FELT RING 37		1	*			
C20	453829-7	DUST ATTACHMENT		1	*			
C30	453832-8	JOINT		1	*			
C40	453834-4	DUST NOZZLE A		1	*			
C50	453835-2	NOZZLE BAND A		1	*			
A06-1B	199618-3	DUST ATTACHMENT SET	<	1				

Please order the parts with part number.

Print Date 31/3/2020

Model No.TM3000C MULTI TOOL

Item	Parts No.	Description	I/C	Qty	New/Old	Opt. 1	Opt. 2	Note
C10	443177-2	FELT RING 37		1				
C20	453829-7	DUST ATTACHMENT		1				
C30	453832-8	JOINT		1				
C40	453834-4	DUST NOZZLE A		1				
C50	453835-2	NOZZLE BAND A		1				
C60	422362-0	FELT RING 47		1				
C70	459362-7	SPACER		1				
A06-1C	199618-3	DUST ATTACHMENT SET	<	1				
C10	443177-2	FELT RING 37		1				
C20	453829-7	DUST ATTACHMENT		1				
C30	453832-8	JOINT		1				
C40	453834-4	DUST NOZZLE A		1				
C50	453835-2	NOZZLE BAND A		1				
C60	422362-0	FELT RING 47		1				
C70	459362-7	SPACER		1				
A06-1E	199618-3	DUST ATTACHMENT SET	<	1				
C10	443177-2	FELT RING 37		1				
C20	453829-7	DUST ATTACHMENT		1				
C30	453832-8	JOINT		1				
C40	453834-4	DUST NOZZLE A		1				
C50	453835-2	NOZZLE BAND A		1				
C60	422362-0	FELT RING 47		1				
C70	459362-7	SPACER		1				
A06-1F	199618-3	DUST ATTACHMENT SET	<	1				
C10	443177-2	FELT RING 37		1				
C20	453829-7	DUST ATTACHMENT		1				
C30	453832-8	JOINT		1				
C40	453834-4	DUST NOZZLE A		1				
C50	453835-2	NOZZLE BAND A		1				
C60	422362-0	FELT RING 47		1				
C70	459362-7	SPACER		1				
A07B	196272-4	ADAPTER A SET		1	*			
A07C	196272-4	ADAPTER A SET		1	*			
A07D	800S51-5	TM3000CJ INDICATION LABEL		1				
A07E	196272-4	ADAPTER A SET		1	*			
A07F	196272-4	ADAPTER A SET		1	*			
A07-1B	196271-6	ADAPTER A SET	<	1	*			
A07-1C	196271-6	ADAPTER A SET	<	1	*			
A07-1E	196271-6	ADAPTER A SET	<	1	*			
A07-1F	196271-6	ADAPTER A SET	<	1	*			
A08B	B-21325	SEGMENT SAW BLADE 85 TMA006		1	*			

Model No.TM3000C MULTI TOOL

Item	Parts No.	Description	I/C	Qty	New/Old	Opt. 1	Opt. 2	Note
A08C	B-21325	SEGMENT SAW BLADE 85 TMA006		1	*			
A08D	800S52-3	TM3000CJ PLASTIC CASE LABEL		2				
A08E	B-21325	SEGMENT SAW BLADE 85 TMA006		1	*			
A08F	B-21325	SEGMENT SAW BLADE 85 TMA006		1	*			
A08-1B	B-21325	SEGMENT SAW BLADE 85 TMA006	O	1	*			
A08-1C	B-21325	SEGMENT SAW BLADE 85 TMA006	O	1	*			
A08-1E	B-21325	SEGMENT SAW BLADE 85 TMA006	O	1	*			
A08-1F	B-21325	SEGMENT SAW BLADE 85 TMA006	O	1	*			
A08-2B	B-64799	STARLOCK SEGMENTSAW 85 TMA045	O	1				
A08-2C	B-64799	STARLOCK SEGMENTSAW 85 TMA045	O	1				
A08-2E	B-64799	STARLOCK SEGMENTSAW 85 TMA045	O	1				
A08-2F	B-64799	STARLOCK SEGMENTSAW 85 TMA045	O	1				
A09B	B-21353	PLUNGE CUT SAW BLADE 28 TMA009		1	*			
A09C	B-21331	SEGMENT SAW BLADE 85 TMA007		1	*			
A09E	B-21353	PLUNGE CUT SAW BLADE 28 TMA009		1	*			
A09F	B-21331	SEGMENT SAW BLADE 85 TMA007		1	*			
A09-1B	B-21353	PLUNGE CUT SAW BLADE 28 TMA009	O	1	*			
A09-1C	B-21331	SEGMENT SAW BLADE 85 TMA007	O	1	*			
A09-1E	B-21353	PLUNGE CUT SAW BLADE 28 TMA009	O	1	*			
A09-1F	B-21331	SEGMENT SAW BLADE 85 TMA007	O	1	*			
A09-2B	B-64814	STARLOCK CUTSAW 32 TMA047 BIM	O	1				
A09-2C	B-64836	STARLOCK SEGMENTSAW 85 TMA049	O	1				
A09-2E	B-64814	STARLOCK CUTSAW 32 TMA047 BIM	O	1				
A09-2F	B-64836	STARLOCK SEGMENTSAW 85 TMA049	O	1				
A10B	B-21537	SANDING PAD		1	*			
A10C	B-21353	PLUNGE CUT SAW BLADE 28 TMA009		1	*			
A10E	B-21537	SANDING PAD		1	*			
A10F	B-21353	PLUNGE CUT SAW BLADE 28 TMA009		1	*			
A10-1B	B-46202	SANDING PAD	<	1	*			
A10-1C	B-21353	PLUNGE CUT SAW BLADE 28 TMA009	O	1	*			
A10-1E	B-46202	SANDING PAD	<	1	*			

Model No.TM3000C MULTI TOOL

Item	Parts No.	Description	I/C	Qty	New/Old	Opt. 1	Opt. 2	Note
A10-1F	B-21353	PLUNGE CUT SAW BLADE 28 TMA009	O	1	*			
A10-2B	B-65115	STARLOCK SANDING PAD 93 TMA078	O	1				
A10-2C	B-64814	STARLOCK CUTSAW 32 TMA047 BIM	O	1				
A10-2E	B-65115	STARLOCK SANDING PAD 93 TMA078	O	1				
A10-2F	B-64814	STARLOCK CUTSAW 32 TMA047 BIM	O	1				
A11B	821538-0	TOOL BOX		1				
A11C	B-21369	PLUNGE CUT SAW BLADE 32 TMA010		1	*			
A11E	821538-0	TOOL BOX		1				
A11F	B-21369	PLUNGE CUT SAW BLADE 32 TMA010		1	*			
A11-1C	B-21369	PLUNGE CUT SAW BLADE 32 TMA010	O	1	*			
A11-1F	B-21369	PLUNGE CUT SAW BLADE 32 TMA010	O	1	*			
A11-2C	B-64870	STARLOCK CUTSAW 32 TMA053 BIM	O	1				
A11-2F	B-64870	STARLOCK CUTSAW 32 TMA053 BIM	O	1				
A12C	B-21381	PLUNGE CUT SAW BLADE 32 TMA012		1	*			
A12E	800S53-1	TM3000CX1J INDICATION LABEL		1				
A12F	B-21381	PLUNGE CUT SAW BLADE 32 TMA012		1	*			
A12-1C	B-21381	PLUNGE CUT SAW BLADE 32 TMA012	O	1	*			
A12-1F	B-21381	PLUNGE CUT SAW BLADE 32 TMA012	O	1	*			
A12-2C	B-64858	STARLOCK CUTSAW 32 TMA051 HCS	O	1				
A12-2F	B-64858	STARLOCK CUTSAW 32 TMA051 HCS	O	1				
A13C	B-21428	PLUNGE CUT SAW BLADE 20 TMA016		1	*			
A13E	800S54-9	TM3000CX1J PLASTIC CASE LABEL		2				
A13F	B-21428	PLUNGE CUT SAW BLADE 20 TMA016		1	*			
A13-1C	B-21428	PLUNGE CUT SAW BLADE 20 TMA016	O	1	*			
A13-1F	B-21428	PLUNGE CUT SAW BLADE 20 TMA016	O	1	*			
A13-2C	B-64923	STARLOCK CUTSAW 20 TMA058 BIM	O	1				
A13-2F	B-64923	STARLOCK CUTSAW 20 TMA058 BIM	O	1				
A14C	B-21434	PLUNGE CUT SAW BLADE 10 TMA017		1	*			
A14F	B-21434	PLUNGE CUT SAW BLADE 10 TMA017		1	*			
A14-1C	B-21434	PLUNGE CUT SAW BLADE 10 TMA017	O	1	*			
A14-1F	B-21434	PLUNGE CUT SAW BLADE 10 TMA017	O	1	*			

Model No.TM3000C MULTI TOOL

Item	Parts No.	Description	I/C	Qty	New/Old	Opt. 1	Opt. 2	Note
A14-2C	B-64917	STARLOCK CUTSAW 10 TMA057 BIM	O	1				
A14-2F	B-64917	STARLOCK CUTSAW 10 TMA057 BIM	O	1				
A15C	B-21456	SCRAPER 52 FLEXIBLE TMA019		1	*			
A15F	B-21456	SCRAPER 52 FLEXIBLE TMA019		1	*			
A15-1C	B-21456	SCRAPER 52 FLEXIBLE TMA019	O	1	*			
A15-1F	B-21456	SCRAPER 52 FLEXIBLE TMA019	O	1	*			
A15-2C	B-64995	STARLOCK SCRAPERFLEXIBLE TMA66	O	1				
A15-2F	B-64995	STARLOCK SCRAPERFLEXIBLE TMA66	O	1				
A16C	B-21490	HM SEG SAW BLADE 85 TMA023		1	*			
A16F	B-21490	HM SEG SAW BLADE 85 TMA023		1	*			
A16-1C	B-21490	HM SEG SAW BLADE 85 TMA023	O	1	*			
A16-1F	B-21490	HM SEG SAW BLADE 85 TMA023	O	1	*			
A16-2C	B-65028	STARLOCK SEGMENTSAW 85 TMA069	O	1				
A16-2F	B-65028	STARLOCK SEGMENTSAW 85 TMA069	O	1				
A17C	B-21509	HM SEG SAW BLADE 65 TMA024		1	*			
A17F	B-21509	HM SEG SAW BLADE 65 TMA024		1	*			
A17-1C	B-21509	HM SEG SAW BLADE 65 TMA024	O	1	*			
A17-1F	B-21509	HM SEG SAW BLADE 65 TMA024	O	1	*			
A17-2C	B-65040	STARLOCK SEGMENTSAW 70 TMA071	O	1				
A17-2F	B-65040	STARLOCK SEGMENTSAW 70 TMA071	O	1				
A18C	B-21624	ABRASIVEPAPER DELTA RED 60		1				
A18F	B-21624	ABRASIVEPAPER DELTA RED 60		1				
A19C	B-21630	ABRASIVEPAPER DELTA RED 80		1				
A19F	B-21630	ABRASIVEPAPER DELTA RED 80		1				
A20C	B-22947	ABRASIVEPAPER DELTA RED 100		1				
A20F	B-22947	ABRASIVEPAPER DELTA RED 100		1				
A21C	B-22953	ABRASIVEPAPER DELTA RED 150		1				
A21F	B-22953	ABRASIVEPAPER DELTA RED 150		1				
A22C	B-21668	ABRASIVEPAPER DELTA RED 240		1				
A22F	B-21668	ABRASIVEPAPER DELTA RED 240		1				



Model No.TM3000C MULTI TOOL

Item	Parts No.	Description	I/C	Qty	New/Old	Opt. 1	Opt. 2	Note
A23C	B-21537	SANDING PAD		1	*			
A23F	B-21537	SANDING PAD		1	*			
A23-1C	B-46202	SANDING PAD	<	1	*			
A23-1F	B-46202	SANDING PAD	<	1	*			
A23-2C	B-65115	STARLOCK SANDING PAD 93 TMA078	O	1				
A23-2F	B-65115	STARLOCK SANDING PAD 93 TMA078	O	1				
A24C	821538-0	TOOL BOX		1				
A24F	821538-0	TOOL BOX		1				
A25F	800S57-3	TM3000CX3J INDICATION LABEL		1				
A26F	800S58-1	TM3000CX3J PLASTIC CASE LABEL		2				

Please order the parts with part number.

Print Date 31/3/2020