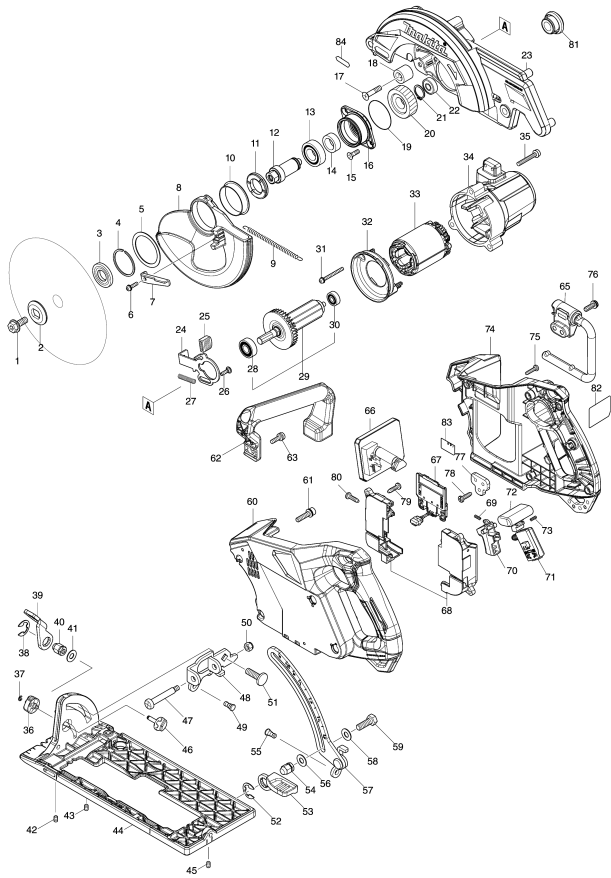


Model No.RS001G 185MM CORDLESS REAR HANDLE SAW



Model No.RS001G 185MM CORDLESS REAR HANDLE SAW

Item	Parts No.	Description	I/C	Qty	New/Old	Opt. 1	Opt. 2	Note
001	266400-6	HEX SOCKET HEX. BOLT M8X20		1				
002	224409-4	OUTER FLANGE 35		1				
003	224593-5	INNER FLANGE 35		1				
004	257423-5	RETAINING RING(EXT) WR-42		1				
005	253393-6	FLAT WASHER 42		1				
006	911128-8	P.H.SCREW M4X16 WITH WR		1				
007	271435-4	LEVER 48		1				
008	312A89-5	SAFETY COVER		1				
009	232371-9	TENSION SPRING 5		1				
010	457434-2	SPACER		1				
011	285809-3	BEARING RETAINER 23-36		1				
012	326941-5	SPINDLE		1				
013	211251-2	BALL BEARING 6003LLB		1				
014	257024-9	RING 17		1				
015	265034-2	+ COUNTERSUNK HEAD SCREW M5X16		2				
016	319544-2	BEARING BOX		1				
017	251572-0	+ COUNTERSUNK HEAD SCREW M6X30		1				
018	282185-2	RUBBER SLEEVE8		1				
019	213565-5	O RING 42		1				
020	221542-3	HELICAL GEAR 37		1				
021	961057-5	RETAINING RING S-17		1				
022	210029-0	BALL BEARING 608ZZ		1				
023	141A11-3	BLADE CASE COMPLETE		1				
C10	213434-0	O RING 26		1				
024	347168-4	SHAFT LOCK		1				
025	286039-9	CAP		1				
026	251529-1	+ PAN HEAD SCREW M4X14		1				
027	232381-6	COMPRESSION SPRING 6		1				
028	210059-1	BALL BEARING 6000DDW		1				
029	519435-9	ROTOR ASS'Y		1				
D10		INC. 28,30						
030	210022-4	BALL BEARING 626DDW		1				
031	911566-4	P.H.SCREW M4X40 WITH WRM		2				
032	457430-0	BAFFLE PLATE		1				
033	629A45-1	STATOR		1				
034	141A12-1	MOTOR HOUSING COMPLETE		1				
C10	263002-9	RUBBER PIN 4		1				
035	911258-5	PAN HEAD SCREW M5X35		3				
036	457963-5	DIAL 22		1				
037	961017-7	STOP RING E-3		1				
038	257953-6	BOW STOP RING E-12		1				

Please order the parts with part number.

Print Date 9/2/2021

Model No.RS001G 185MM CORDLESS REAR HANDLE SAW

Item	Parts No.	Description	I/C	Qty	New/Old	Opt. 1	Opt. 2	Note
039	271468-9	LEVER 56		1				
040	252240-8	HEX. CAP NUT M8-13		1				
041	941201-0	FLAT WASHER 8		1				
042	266229-0	H.S.SET SCREW(CUP POINT)M5X8		1				
043	266229-0	H.S.SET SCREW(CUP POINT)M5X8		1				
044	312B21-5	BASE		1				
045	266229-0	H.S.SET SCREW(CUP POINT)M5X8		1				
046	327760-2	STOPPER PIN		1				
047	251221-9	+ PAN HEAD SCREW M6		1				
048	347169-2	ANGULAR GUIDE		1				
049	256511-5	SHOULDER PIN 6-7		1				
050	252014-7	HEX. LOCK NUT M6-10		1				
051	251537-2	FLATHEADSQUARE NECKBOLT M8X28		1				
052	257953-6	BOW STOP RING E-12		1				
053	271433-8	LEVER 59		1				
054	252240-8	HEX. CAP NUT M8-13		1				
055	256511-5	SHOULDER PIN 6-7		1				
056	941201-0	FLAT WASHER 8		1				
057	162566-9	DEPTH GUIDE		1				
058	941201-0	FLAT WASHER 8		1				
059	251538-0	HEX. BOLT M8X24		1				
060	183S55-5	HANDLE SET		1				
C10	263005-3	RUBBER PIN 6		1				
D10		INC. 74						
061	922343-9	H.S.H.BOLT M6X25 WITH WR		4				
062	413348-5	GRIP		1				
063	911228-4	PAN HEAD SCREW M5X18		3				
065	127771-5	HOOK ASSEMBLY		1				
066	620F00-6	CONTROLLER		1				
067	632P65-6	TERMINAL UNIT		1				
068	183S18-1	TERMINAL BOX SET		1				
C10	263005-3	RUBBER PIN 6		2				
069	231433-0	COMPRESSION SPRING 4		1				
070	457432-6	SWITCH LEVER		1				
071	651083-9	SWITCH C3XA-1PSPM		1				
072	457431-8	LOCK OFF BUTTON		1				
073	231433-0	COMPRESSION SPRING 4		1				
074	183S55-5	HANDLE SET		1				
C10	263005-3	RUBBER PIN 6		1				
D10		INC. 60						

Please order the parts with part number.

Print Date 9/2/2021

Model No.RS001G 185MM CORDLESS REAR HANDLE SAW

Item	Parts No.	Description	I/C	Qty	New/Old	Opt. 1	Opt. 2	Note
075	266326-2	TAPPING SCREW 4X18		9				
076	911228-4	PAN HEAD SCREW M5X18		2				
077	347805-0	LOCK PLATE		1				
078	266326-2	TAPPING SCREW 4X18		1				
079	266326-2	TAPPING SCREW 4X18		4				
080	266326-2	TAPPING SCREW 4X18		2				
081	286042-0	CAP 31		1				
082	811C92-0	RS001G NAME PLATE		1				
083	811C99-6	RS001G SERIAL NO. LABEL		1				
084	8005T5-8	XGT LOGO LABEL		1				
A01	E-08676	EFFICUT FOR WOOD CUTTING/ EN		1				
A02	782016-4	OFFSET WRENCH 13		1				

Please order the parts with part number.

Print Date 9/2/2021