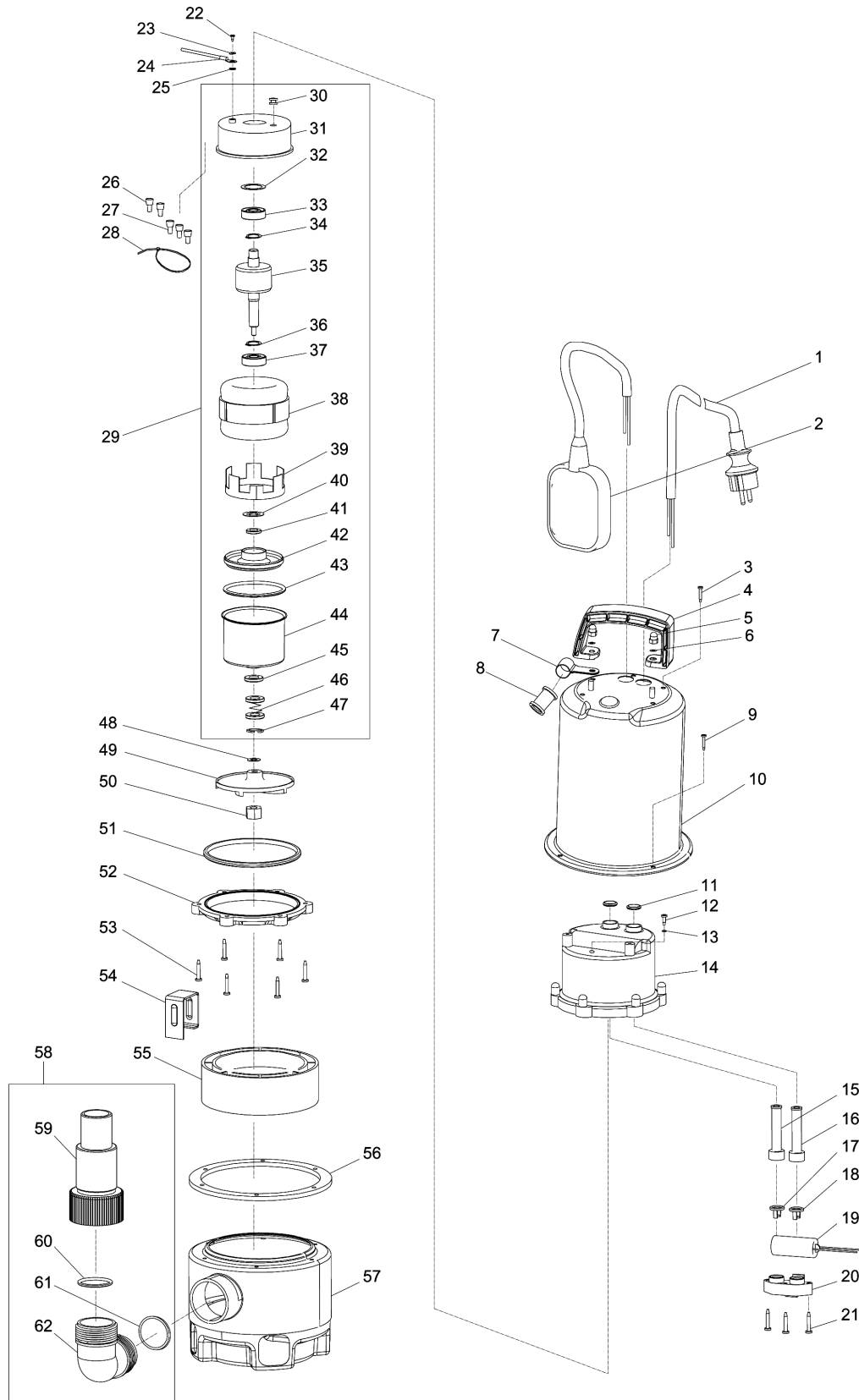


Model No.PF0610 SUBMERSIBLE PUMP



Model No.PF0610 SUBMERSIBLE PUMP

Item	Parts No.	Description	I/C	Qty	New/Old	Opt. 1	Opt. 2	Note
001	609025436	POWER SUPPLY CORD 1.0-3-10		1				
002	609026209	FLOAT SWITCH BLUE		1				
003	609026213	TAPPING SCREW 4.2X13 INOX		5	*			
003-1	JH00000077	Y HEAD TAPPING SCREW ST4.5X13	<	5				
004	609024798	HANDLE BLUE		1				
005	609024637	HEX. CAP NUT M5 INOX		2				
006	609024638	FLAT WASHER 5 INOX		2				
007	609024650	CORD CLAMP INOX		1				
008	609026214	CORD GUARD		1				
009	609024639	+ PAN HEAD SCREW M4X10 INOX		6				
010	609024663	UPPER HOUSING INOX		1				
C10	609024674	BLIND PLUG		1				
011	609024641	O-RING 15		2				
012	JH00000002	TAPPING SCREW		1				
013	JH00000003	O-RING		1				
014	609024642	WATER PROOF INNER HOUSING		1				
015	609024588	CORD GUARD 8.5		1				
016	609024664	CORD GUARD 7.0		1				
017	609024590	CORD CLAMP 8.5		1				
018	609024589	CORD CLAMP 6.5		1				
019	JH00000076	CAPACITOR 12 MICRO F		1				
020	609024592	CAPACITOR HOLDER		1				
021	609024593	TAPPING SCREW 4X32		3				
022	609024601	SCREW M4X8		1				
023	609024596	SPRING WASHER 4		1				
024	JH00000004	GROUND WIRE ASSY		1				
025	609024600	TOOTHED LOCK SPRING WASHER 4		1				
026	609024629	CLOSED END SPLICE 5.5-SD		2				
027	609024630	CLOSED END SPLICE 2-SD		3				
028	609024632	CABLE TIE		1				
029	JH00000070	STATOR ASSY 230V 50HZ		1				
D10		INC. 30-47						
030	609024595	GROMMET 10		1				
031	609024594	MOTOR HOUSING UPPER SIDE		1				
032	609024602	WAVE WASHER 25		1				
033	609024603	BALL BEARING 6201Z		1				
034	961052-5	RETAINING RING S-12		1				
035	JH00000061	ROTOR		1				
036	961052-5	RETAINING RING S-12		1				
037	609024603	BALL BEARING 6201Z		1				

Model No.PF0610 SUBMERSIBLE PUMP

Item	Parts No.	Description	I/C	Qty	New/Old	Opt. 1	Opt. 2	Note
038	JH00000062	STATOR ASSY 230V 50HZ		1				
039	609024667	LINING RING		1				
040	609024607	SHIM		1				
041	609024608	SKELETON SEAL RING		1				
042	609024609	BEARING BOX		1				
043	609024610	O-RING		1				
044	609024668	MOTOR HOUSING LOWER SIDE		1				
045	609024608	SKELETON SEAL RING		1				
046	609024633	MECHANICAL SEAL		1				
047	609024634	RETAINING RING S-12 INOX		1				
048	609024613	SPACER WASHER 12		1				
049	609024669	IMPELLER		1				
050	609024615	NYLON INSERT HEX LOCK NUT M8		1				
051	609024612	O-RING		1				
052	JH00000058	O-RING RETAINER		1				
053	609024646	TAPPING SCREW 4X30 INOX		6				
054	609024654	GROUND PLATE		1				
055	609024655	MOTOR MOUNT		1				
056	609024671	GASKET FOR HOUSING		1				
057	609024672	LOWER HOUSING INOX		1				
058	JH00000005	OUTLET CONNECTOR KIT		1				
D10		INC. 59-62						
059	609024627	OUTLET CONNECTOR		1				
060	609024625	O-RING		1				
061	609024625	O-RING		1				
062	609024626	ELBOW		1				

Please order the parts with part number.

Print Date 31/3/2020