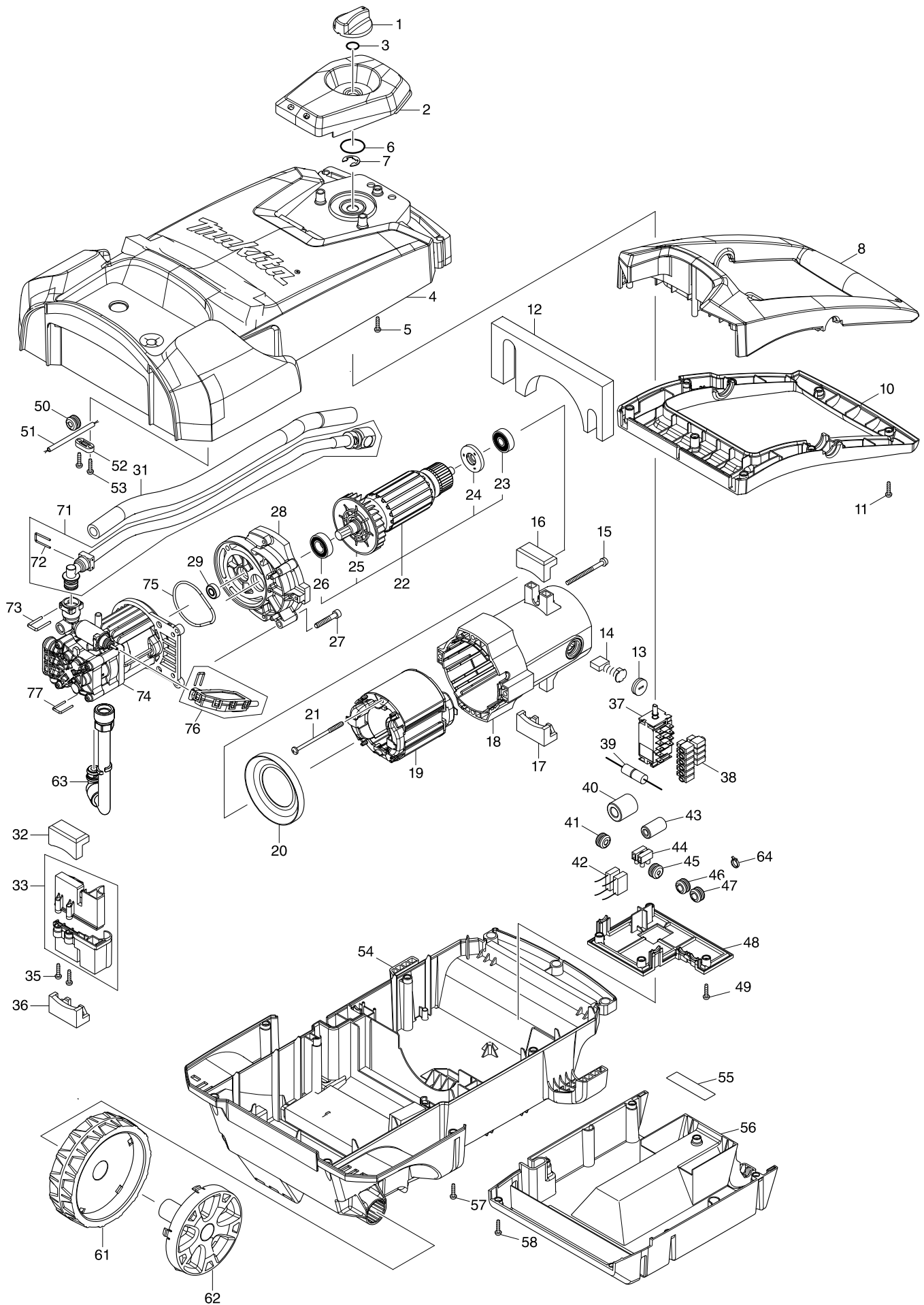
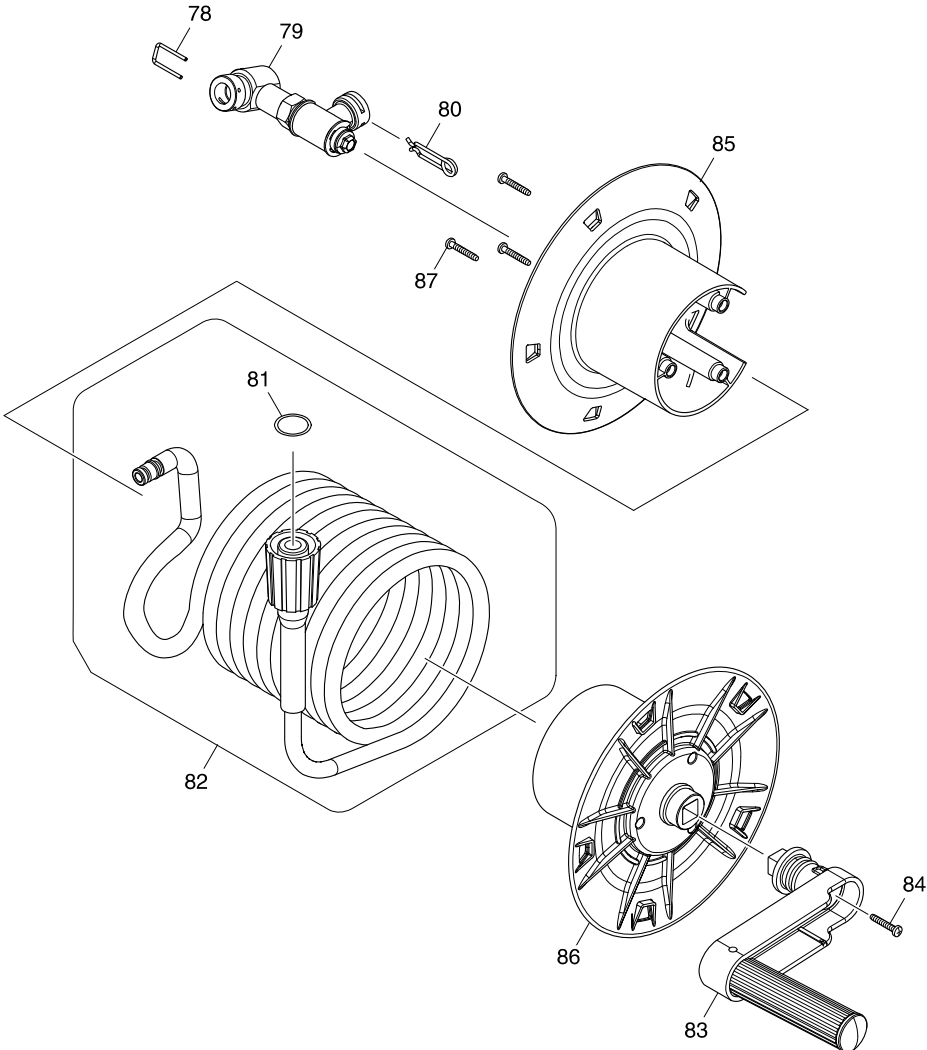


# Model No. HW1300 HIGH PRESSURE WASHER



**Model No. HW1300 HIGH PRESSURE WASHER**



# Model No. HW1300 HIGH PRESSURE WASHER

Item	Parts No.	Description	I/C	Qty	N/O	Opt. 1	Opt. 2	Note
001	456837-7	SWITCH DIAL 50		1				
002	456844-0	FRONT COVER		1				
003	213176-6	O RING 14		1				
004	143814-5	FRONT HOUSING COMPLETE		1				
005	266045-0	TAPPING SCREW 4X20		4				
006	213412-0	O RING 29		1				
007	961062-2	STOP RING E-12		1				
008	456840-8	FRONT HANDLE		1				
010	456842-4	REAR HANDLE		1				
011	266045-0	TAPPING SCREW 4X20		9				
012	424856-1	SCREEN SPONGE F		1				
013	643700-5	BRUSH HOLDER CAP 7-18		2				
014	191953-5	CARBON BRUSH CB-203		1				
015	911288-6	PAN HEAD SCREW M5X65		4				
016	424852-9	RUBBER CUSHION		1				
017	424852-9	RUBBER CUSHION		1				
018	143813-7	MOTOR HOUSING COMPLETE		1				
C10	643712-8	BRUSH HOLDER		2				
019	639100-5	FIELD ASSY 240V		1	*			
C10	654197-3	RING TERMINAL		2	*			
C20	654502-4	CONNECTOR P-2		2	*			
019-1	639082-1	FIELD ASSY 240V	O	1				
C10	654197-3	RING TERMINAL		2				
C20	654502-4	CONNECTOR P-2		2				
020	416131-9	BAFFLE PLATE		1				
021	265A13-6	TAPPING SCREW 5X85		2				
022	513469-4	ARMATURE ASSEMBLY 240V		1				
D10		INC. 23-26						
023	211067-5	BALL BEARING 6200ZZ		1				
024	681630-2	INSULATION WASHER		1				
025	241908-1	FAN 80		1				
026	211236-8	BALL BEARING 6002DDW		1				
027	266586-6	H.S.H.BOLT M6X35		4				
028	143822-6	GEAR HOUSING COMPLETE		1				
C10	263005-3	RUBBER PIN 6		1				
029	211166-3	BALL BEARING 698DDW		1				
031	424869-2	HOSE COVER		1				
032	424852-9	RUBBER CUSHION		1				
033	183D72-5	PUMP RETAINER SET		1				
035	266045-0	TAPPING SCREW 4X20		2				
036	424852-9	RUBBER CUSHION		1				
037	650775-7	SWITCH		1				
038	686035-1	RECEPTACLE SLEEVE		10				
039	632G73-3	CURRENT FUSE UNIT		1				
040	688140-0	LINE FILTER		1				
041	682100-4	GROMMET		1				
042	645089-7	NOISE SUPPRESSOR		2				
043	688162-0	LINE FILTER		1				

# Model No. HW1300 HIGH PRESSURE WASHER

Item	Parts No.	Description	I/C	Qty	N/O	Opt. 1	Opt. 2	Note
044	654531-7	TERMINAL BLOCK 2P		1				
045	682098-5	GROMMET		1				
046	682100-4	GROMMET		1				
047	682100-4	GROMMET		1				
048	456833-5	SWITCH BOX COVER		1				
049	266045-0	TAPPING SCREW 4X20		4				
050	682100-4	GROMMET		1				
051	665856-4	POWER SUPPLY CORD 1.0-2-5.7		1				
052	687124-5	STRAIN RELIEF		1				
053	266045-0	TAPPING SCREW 4X20		2				
054	143820-0	REAR HOUSING COMPLETE		1				
C10	809R02-9	CAUTION LABEL		1				
055	852W26-4	HW1300 NAME PLATE		1				
056	456838-5	REAR BOX		1				
057	266045-0	TAPPING SCREW 4X20		8				
058	266045-0	TAPPING SCREW 4X20		7				
061	456835-1	WHEEL		2				
062	456836-9	WHEEL CAP		2				
063	123649-0	ABSORPTION JOINT		1				
064	687010-0	BAND		1				
071	TG00000004	HIGH-PRESSURE HOSE JOINT		1				
072	TG00000002	U TYPE PIN 3		1				
073	TG00000002	U TYPE PIN 3		1				
074	TG00000001	PUMP COMPLETE		1				
075	TG00000006	SEAL RING 62		1				
076	TG00000005	PRESSURE SWITCH COMPLETE		1				
077	TG00000003	U TYPE PIN 2		1				
078	TG00000003	U TYPE PIN 2		1				
079	TG00000010	REEL JOINT COMPLETE		1				
080	TG00000011	TORSION SPRING 8		1				
081	TG00000008	O RING 10		1				
082	TG00000009	HIGH-PRESSURE HOSE 10M		1				
083	TG00000013	REEL HANDLE COMPLETE		1				
084	TG00000012	SCREW 3.5X19		1				
085	456897-9	HOSE REEL L		1				
086	456823-8	HOSE REEL R		1				
087	TG00000012	SCREW 3.5X19		3				
A01	197842-2	TRIGGER GUN SET		1				
A02	197886-2	FOAM NOZZLE SET		1				
A03	197876-5	VARIOSPRAY LANCE SET		1				
A04	197824-4	CYCLONE JET NOZZLE SET		1				
A05	197810-5	CONNECTOR SET		1				
C10	197883-8	ONE TOUCH JOINT SET		1				
C20	197881-2	ABSORPTION CONNECTOR SET		1				
C30	123660-2	CLEANING PIN		1				
E01	807E85-5	SOUND 92DB LABEL		1				