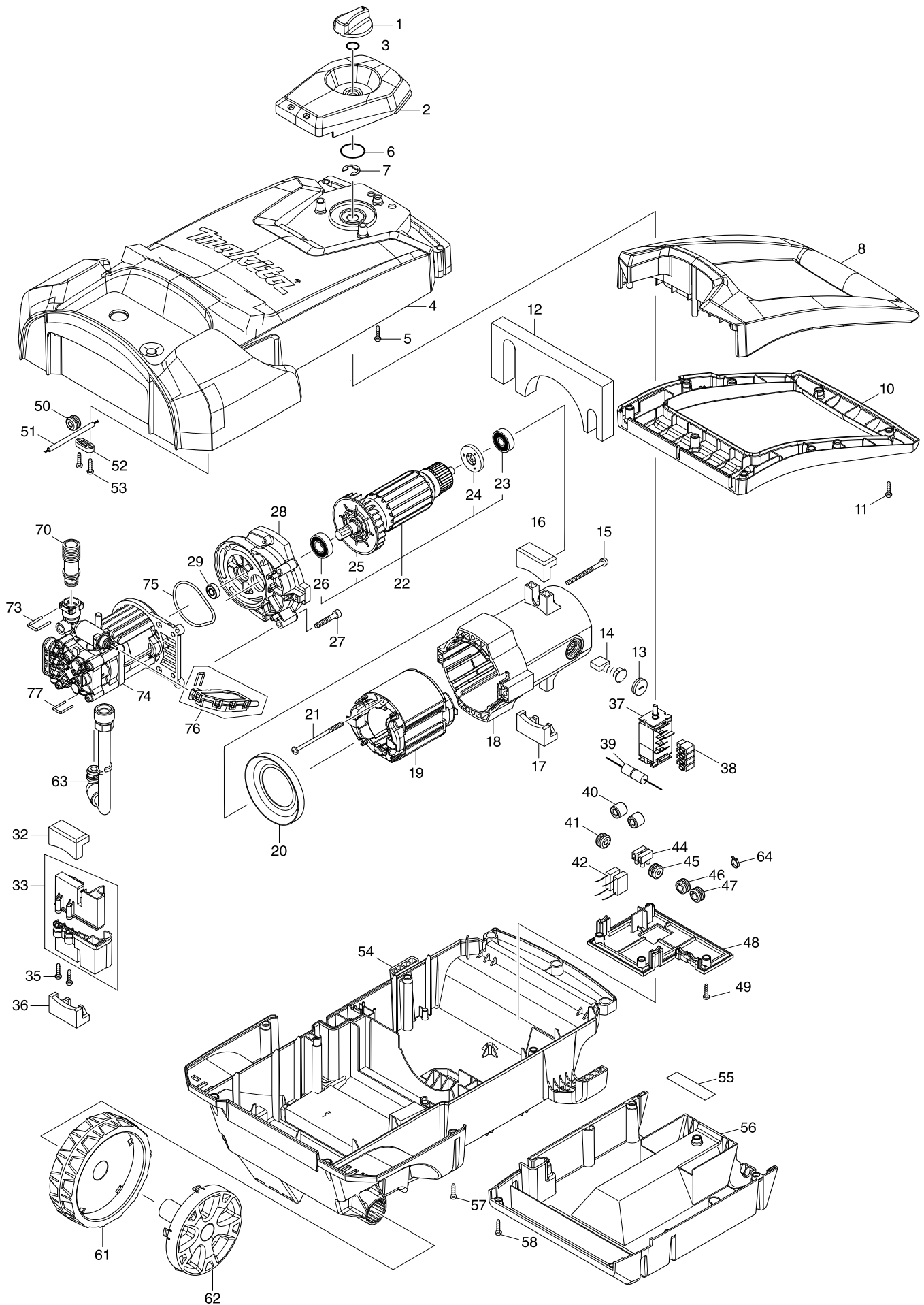


Model No. HW1200 HIGH PRESSURE WASHER



Model No. HW1200 HIGH PRESSURE WASHER

| Item | Parts No. | Description | I/C | Qty | N/O | Opt. 1 | Opt. 2 | Note |
|------|-----------|------------------------|-----|-----|-----|--------|--------|------|
| 001 | 456837-7 | SWITCH DIAL 50 | | 1 | | | | |
| 002 | 456953-5 | FRONT COVER | | 1 | | | | |
| 003 | 213176-6 | O RING 14 | | 1 | | | | |
| 004 | 143817-9 | FRONT HOUSING COMPLETE | | 1 | | | | |
| 005 | 266045-0 | TAPPING SCREW 4X20 | | 4 | | | | |
| 006 | 213412-0 | O RING 29 | | 1 | | | | |
| 007 | 961062-2 | STOP RING E-12 | | 1 | | | | |
| 008 | 456841-6 | FRONT HANDLE | | 1 | | | | |
| 010 | 456843-2 | REAR HANDLE | | 1 | | | | |
| 011 | 266045-0 | TAPPING SCREW 4X20 | | 7 | | | | |
| 012 | 424856-1 | SCREEN SPONGE F | | 1 | | | | |
| 013 | 643700-5 | BRUSH HOLDER CAP 7-18 | | 2 | | | | |
| 014 | 191953-5 | CARBON BRUSH CB-203 | | 1 | | | | |
| 015 | 911288-6 | PAN HEAD SCREW M5X65 | | 4 | | | | |
| 016 | 424852-9 | RUBBER CUSHION | | 1 | | | | |
| 017 | 424852-9 | RUBBER CUSHION | | 1 | | | | |
| 018 | 143813-7 | MOTOR HOUSING COMPLETE | | 1 | | | | |
| C10 | 643712-8 | BRUSH HOLDER | | 2 | | | | |
| 019 | 639092-8 | FIELD ASSY 240V | | 1 | | | | |
| C10 | 654197-3 | RING TERMINAL | | 2 | | | | |
| C20 | 654502-4 | CONNECTOR P-2 | | 2 | | | | |
| 020 | 416131-9 | BAFFLE PLATE | | 1 | | | | |
| 021 | 265A13-6 | TAPPING SCREW 5X85 | | 2 | | | | |
| 022 | 513474-1 | ARMATURE ASSEMBLY 240V | | 1 | | | | |
| D10 | | INC. 23-26 | | | | | | |
| 023 | 211067-5 | BALL BEARING 6200ZZ | | 1 | | | | |
| 024 | 681630-2 | INSULATION WASHER | | 1 | | | | |
| 025 | 241908-1 | FAN 80 | | 1 | | | | |
| 026 | 211236-8 | BALL BEARING 6002DDW | | 1 | | | | |
| 027 | 266586-6 | H.S.H.BOLT M6X35 | | 4 | | | | |
| 028 | 143822-6 | GEAR HOUSING COMPLETE | | 1 | | | | |
| C10 | 263005-3 | RUBBER PIN 6 | | 1 | | | | |
| 029 | 211166-3 | BALL BEARING 698DDW | | 1 | | | | |
| 032 | 424852-9 | RUBBER CUSHION | | 1 | | | | |
| 033 | 183D72-5 | PUMP RETAINER SET | | 1 | | | | |
| 035 | 266045-0 | TAPPING SCREW 4X20 | | 2 | | | | |
| 036 | 424852-9 | RUBBER CUSHION | | 1 | | | | |
| 037 | 650780-4 | SWITCH | | 1 | | | | |
| 038 | 686035-1 | RECEPTACLE SLEEVE | | 4 | | | | |
| 039 | 632G71-7 | CURRENT FUSE UNIT | | 1 | | | | |
| 040 | 688163-8 | LINE FILTER | | 2 | | | | |
| 041 | 682100-4 | GROMMET | | 1 | | | | |
| 042 | 645089-7 | NOISE SUPPRESSOR | | 1 | | | | |
| 044 | 654531-7 | TERMINAL BLOCK 2P | | 1 | | | | |
| 045 | 682098-5 | GROMMET | | 1 | | | | |
| 046 | 682100-4 | GROMMET | | 1 | | | | |
| 047 | 682100-4 | GROMMET | | 1 | | | | |
| 048 | 456833-5 | SWITCH BOX COVER | | 1 | | | | |

Model No. HW1200 HIGH PRESSURE WASHER

| Item | Parts No. | Description | I/C | Qty | N/O | Opt. 1 | Opt. 2 | Note |
|------|------------|-----------------------------|-----|-----|-----|--------|--------|------|
| 049 | 266045-0 | TAPPING SCREW 4X20 | | 4 | | | | |
| 050 | 682100-4 | GROMMET | | 1 | | | | |
| 051 | 665883-1 | POWER SUPPLY CORD 1.0-2-5.0 | | 1 | | | | |
| 052 | 687124-5 | STRAIN RELIEF | | 1 | | | | |
| 053 | 266045-0 | TAPPING SCREW 4X20 | | 2 | | | | |
| 054 | 143820-0 | REAR HOUSING COMPLETE | | 1 | | | | |
| C10 | 809R02-9 | CAUTION LABEL | | 1 | | | | |
| 055 | 852W47-6 | HW1200 NAME PLATE | | 1 | | | | |
| 056 | 456838-5 | REAR BOX | | 1 | | | | |
| 057 | 266045-0 | TAPPING SCREW 4X20 | | 8 | | | | |
| 058 | 266045-0 | TAPPING SCREW 4X20 | | 7 | | | | |
| 061 | 456835-1 | WHEEL | | 2 | | | | |
| 062 | 456836-9 | WHEEL CAP | | 2 | | | | |
| 063 | 123649-0 | ABSORPTION JOINT | | 1 | | | | |
| 064 | 687010-0 | BAND | | 1 | | | | |
| 070 | TG00000007 | DISCHARGE PORT JOINT | | 1 | | | | |
| 073 | TG00000002 | U TYPE PIN 3 | | 1 | | | | |
| 074 | TG00000001 | PUMP COMPLETE | | 1 | | | | |
| 075 | TG00000006 | SEAL RING 62 | | 1 | | | | |
| 076 | TG00000005 | PRESSURE SWITCH COMPLETE | | 1 | | | | |
| 077 | TG00000003 | U TYPE PIN 2 | | 1 | | | | |
| A01 | 197842-2 | TRIGGER GUN SET | | 1 | | | | |
| A02 | 197886-2 | FOAM NOZZLE SET | | 1 | | | | |
| A03 | 197876-5 | VARIOSPRAY LANCE SET | | 1 | | | | |
| A04 | 197824-4 | CYCLONE JET NOZZLE SET | | 1 | | | | |
| A05 | 123784-4 | HIGH PRESSURE HOSE 10M | | 1 | | | | |
| A06 | 197935-5 | CONNECTOR SET | | 1 | | | | |
| C10 | 197883-8 | ONE TOUCH JOINT SET | | 1 | | | | |
| C20 | 197881-2 | ABSORPTION CONNECTOR SET | | 1 | | | | |
| C30 | 123660-2 | CLEANING PIN | | 1 | | | | |
| C40 | 266045-0 | TAPPING SCREW 4X20 | | 7 | | | | |
| E01 | 800A41-0 | SOUND 89DB LABEL | | 1 | | | | |
| | | | | | | | | |
| | | | | | | | | |
| | | | | | | | | |
| | | | | | | | | |
| | | | | | | | | |
| | | | | | | | | |
| | | | | | | | | |
| | | | | | | | | |
| | | | | | | | | |
| | | | | | | | | |
| | | | | | | | | |
| | | | | | | | | |
| | | | | | | | | |
| | | | | | | | | |
| | | | | | | | | |
| | | | | | | | | |
| | | | | | | | | |
| | | | | | | | | |
| | | | | | | | | |
| | | | | | | | | |
| | | | | | | | | |
| | | | | | | | | |
| | | | | | | | | |
| | | | | | | | | |
| | | | | | | | | |