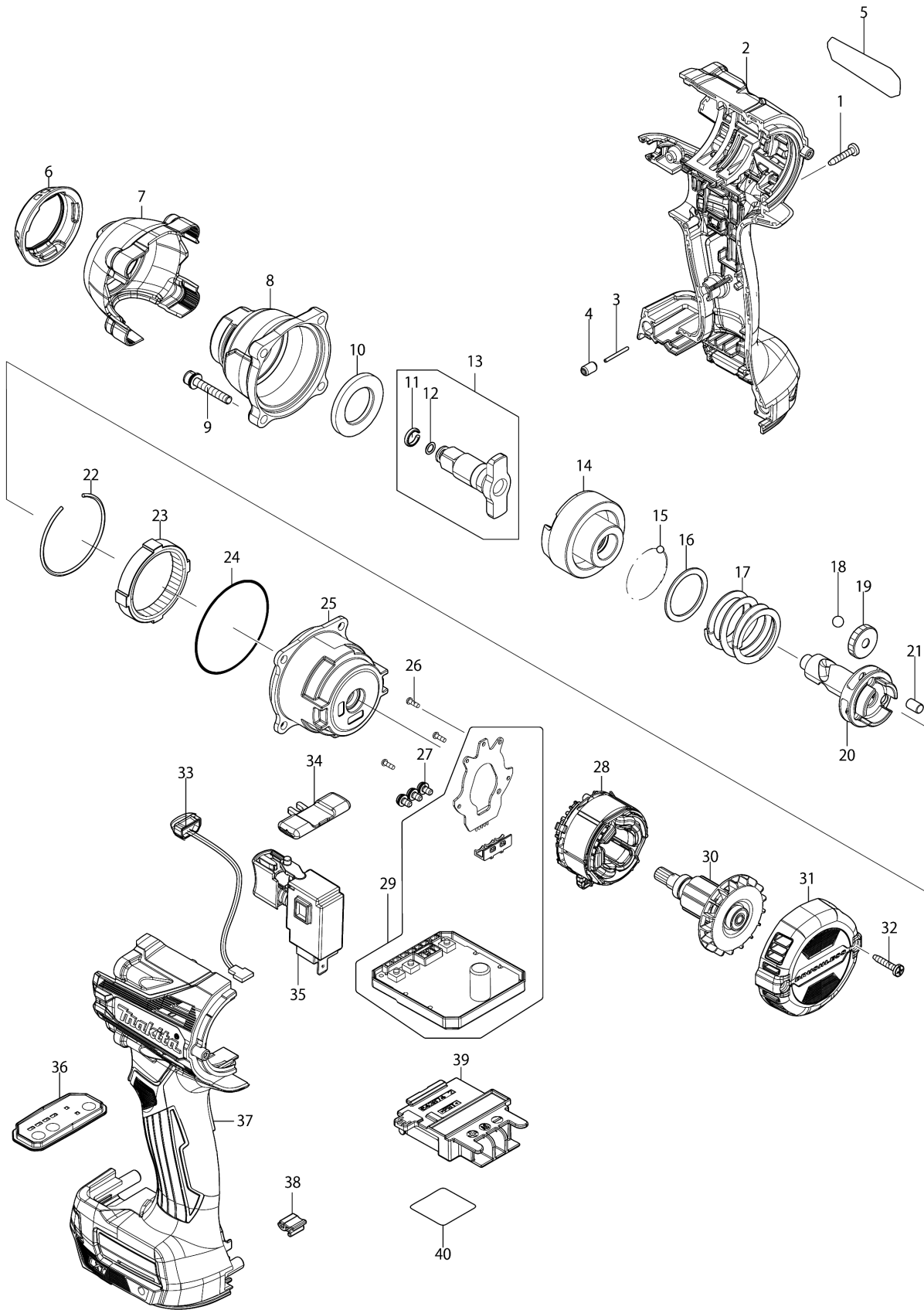


Model No.DTW302 CORDLESS IMPACT WRENCH



Model No.DTW302 CORDLESS IMPACT WRENCH

Item	Parts No.	Description	I/C	Qty	New/Old	Opt. 1	Opt. 2	Note
001	266130-9	TAPPING SCREW BIND PT 3X16		8				
002	183P27-2	HOUSING SET		1				
C10	263005-3	RUBBER PIN 6		2				
C20	252126-6	HEX. LOCK NUT M4-7		2				
D10		INC. 37						
003	268284-8	PIN 1.5		1				
004	263036-2	RUBBER PIN 5		1				
005	811V29-1	DTW302 NAME PLATE		1				
006	422584-2	BUMPER		1				
007	412556-5	HAMMER CASE COVER		1				
008	141E94-7	HAMMER CASE COMPLETE		1				
009	265472-8	HEX. SOCKET HEAD BOLT M4X25		4				
010	261171-0	NYLON WASHER		1				
011	233943-3	RING SPRING 8		1				
012	213960-9	O RING 5		1				
013	136510-2	ANVIL ASS'Y		1				
D10		INC. 11,12						
014	327892-5	HAMMER		1				
015	216001-0	STEEL BALL 3.5		24				
016	267175-0	FLAT WASHER 24		1				
017	234322-8	COMPRESSION SPRING 25		1				
018	216011-7	STEEL BALL 5.6		2				
019	227338-0	SPUR GEAR 22		3				
020	327573-1	SPINDLE		1				
021	268311-1	PIN 5		3				
022	233910-8	RING SPRING 43		1				
023	227337-2	INTERNAL GEAR 51		1				
024	213785-1	O-RING 49		1				
025	140T37-6	INTERNAL GEAR CASE COMPLETE		1				
026	266490-9	TAPPING SCREW PT 2X6		3				
027	652069-6	FLAT HEAD SCREW M3X6		3				
028	629477-6	STATOR		1	*			
028-1	629A98-0	STATOR	<	1				
029	620C64-2	CONTROLLER		1				
030	619626-3	ROTOR		1				
031	412555-7	REAR COVER		1				
032	266130-9	TAPPING SCREW BIND PT 3X16		2				
033	620521-2	LED CIRCUIT		1				
034	455053-8	F/R CHANGE LEVER		1				
035	651443-5	SWITCH C3JR-4B		1				

Model No.DTW302 CORDLESS IMPACT WRENCH

Item	Parts No.	Description	I/C	Qty	New/Old	Opt. 1	Opt. 2	Note
036	140T43-1	SWITCH PLATE COMPLETE		1				
C10	8012S9-8	SWITCH LABEL		1				
037	183P27-2	HOUSING SET		1				
C10	263005-3	RUBBER PIN 6		2				
C20	252126-6	HEX. LOCK NUT M4-7		2				
D10		INC. 2						
038	424517-3	CUSHION		1				
039	643874-2	TERMINAL		1				
040	811V33-0	DTW302 SERIAL NO. LABEL		1				
A01	266622-8	+ TRUSS HEAD SCREW M4X12		1				
A02	346317-0	HOOK		1				

Please order the parts with part number.

Print Date 20/7/2021