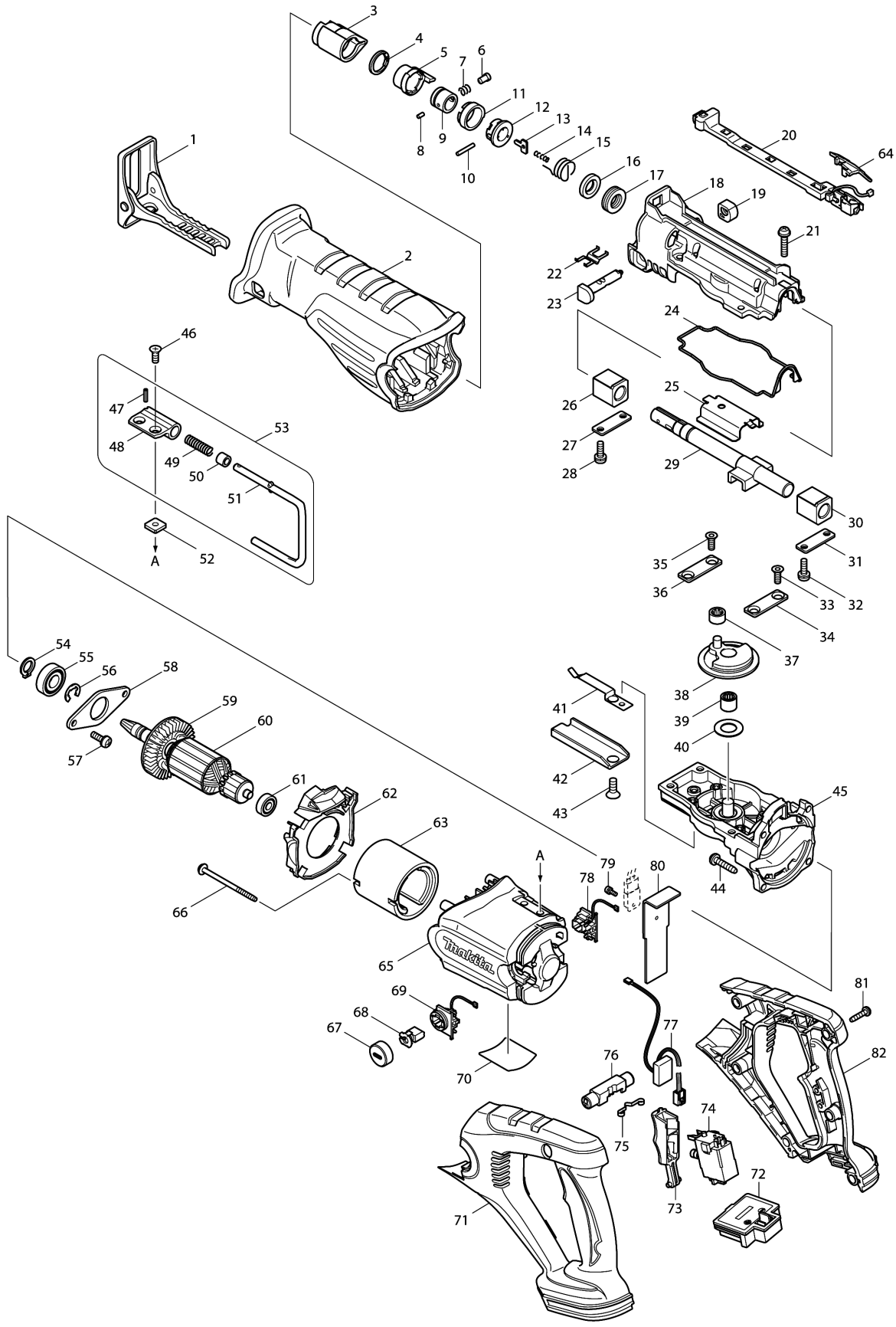


Model No.DJR181 CORDLESS RECIPRO SAW



Model No.DJR181 CORDLESS RECIPRO SAW

Item	Parts No.	Description	I/C	Qty	New/Old	Opt. 1	Opt. 2	Note
001	165406-0	SHOE		1				
002	421945-3	INSULATION COVER		1				
003	424147-0	PROTECTOR		1				
004	257952-8	RETAINING RING (EXT) 18		1	*			
004-1	257430-8	RETAINING RING(EXT)18	S	1				
005	310285-3	DRIVING SLEEVE		1				
006	256492-3	SHOULDER PIN 5		1				
007	233345-3	COMPRESSION SPRING 6		1				
008	268094-3	PIN 3		1				
009	331720-8	GUIDE SLEEVE		1	*			
009-1	327043-0	GUIDE SLEEVE	S	1				
010	256158-5	PIN 3		1				
011	417791-0	DRIVING SLEEVE GUIDE		1				
012	418311-3	SLEEVE		1				
013	345214-7	PUSH PLATE		1				
014	233025-1	COMPRESSION SPRING 2		1				
015	231687-9	TORSION SPRING 17		1				
016	213151-2	OIL SEAL 14		1				
017	213174-0	X RING 14		1				
018	154813-2	GEAR HOUSING COVER COMPLETE		1				
D10		INC. 16,17						
019	418806-6	CAP		1				
020	631689-9	LED CIRCUIT		1				
021	911243-8	PAN HEAD SCREW M5X25		4				
022	232221-8	LEAF SPRING A		1				
023	162236-0	SHIFT BUTTON		1				
024	421946-1	SEAL RING		1				
025	345480-6	SLIDE PLATE		1				
026	214170-1	PLANE BEARING 14A		1				
027	341462-6	PLATE		1				
028	911225-0	PAN HEAD SCREW M5X16		2				
029	168405-1	SLIDER		1				
030	214170-1	PLANE BEARING 14A		1				
031	341462-6	PLATE		1				
032	911225-0	PAN HEAD SCREW M5X16		2				
033	265148-7	TORX SOCKET HEAD SCREW M5X14		2				
034	344795-8	PLATE C		1				
035	265148-7	TORX SOCKET HEAD SCREW M5X14		2				
036	344795-8	PLATE C		1				
037	212959-1	NEEDLE BEARING 708		1				
038	125423-2	GEAR ASS'Y		1				

Please order the parts with part number.

Print Date 26/3/2020

Model No.DJR181 CORDLESS RECIPRO SAW

Item	Parts No.	Description	I/C	Qty	New/Old	Opt. 1	Opt. 2	Note
D10		INC. 39						
039	212080-6	NEEDLE BEARING 1012		1				
040	253797-2	FLAT WASHER 14		1				
041	232222-6	LEAF SPRING B		1				
042	345479-1	SHOE GUIDE		1				
043	265165-7	TORX SOCKET C.S.HEADSCREW M6X16		1				
044	266041-8	TAPPING SCREW 5X25		4				
045	154812-4	GEAR HOUSING COMPLETE		1				
046	912207-5	COUNTERSUNK HEAD SCREW M5X10		2				
047	951057-3	SPRING PIN 3-12		1				
048	313127-0	JOINT		1				
049	233455-6	COMPRESSION SPRING 7		1				
050	262561-0	SLEEVE 6		1				
051	281218-4	HOOK		1				
052	264002-2	SQUARE NUT M5		2				
053	125321-0	HOOK ASS'Y		1				
D10		INC. 47-51						
054	961052-5	RETAINING RING S-12		1				
055	210102-6	BALL BEARING 6001DDW		1				
056	961016-9	STOP RING E-10		1				
057	911225-0	PAN HEAD SCREW M5X16		2				
058	285726-7	BEARING RETAINER 63		1				
059	241869-5	FAN 55		1				
060	519176-7	ARMATURE ASS'Y 18V		1				
D10		INC. 59,61						
061	210062-2	BALL BEARING 607ZZ		1				
062	419333-6	BAFFLE PLATE		1				
063	638107-8	YOKE UNIT		1				
064	419327-1	COVER		1				
065	419330-2	MOTOR HOUSING		1				
066	266292-3	TAPPING SCREW 4X65		2				
067	643941-3	BRUSH HOLDER CAP		2				
068	194435-6	CARBON BRUSH CB-441		1				
070	815E72-0	DJR181 NAME PLATE		1				
071	187485-8	HANDLE SET		1				
D10		INC. 82						
072	644808-8	TERMINAL		1				
073	419336-0	SWITCH LEVER		1				
074	650647-6	SWITCH C3LA-2A-LLMS		1				
075	232152-1	LEAF SPRING		1				
076	419334-4	LOCK OFF BUTTON		1				

Model No.DJR181 CORDLESS RECIPRO SAW

Item	Parts No.	Description	I/C	Qty	New/Old	Opt. 1	Opt. 2	Note
077	631690-4	POWER SUPPLY CIRCUIT		1				
078	638914-9	BRUSH HOLDER COMPLETE		1	*			
078-1	638914-9	BRUSH HOLDER COMPLETE	O	1				
079	911006-2	PAN HEAD SCREW M3X8		1				
080	689116-0	HEAT SINK		1				
081	266045-0	TAPPING SCREW 4X20		6				
082	187485-8	HANDLE SET		1				
D10		INC. 71						
A01	B-05169	RECIPROSAWBLADE FOR METAL		1				
A02	B-05175	RECIPROSAWBLADE FOR WOOD		1				
A03H	141354-7	PLASTIC CARRYING CASE COMPLETE		1				
C10	163455-1	LATCH		2				
A03I	141354-7	PLASTIC CARRYING CASE COMPLETE		1				
C10	163455-1	LATCH		2				
A03M	141354-7	PLASTIC CARRYING CASE COMPLETE		1				
C10	163455-1	LATCH		2				
A04H	***DC18RC	DC18RC FAST CHARGER		1				
A04I	***DC18RC	DC18RC FAST CHARGER		1				
A04M	***DC18RC	DC18RC FAST CHARGER		1				
A05H	194204-5	BATTERY BL1830 SET		1	*			
A05I	194204-5	BATTERY BL1830 SET		2	*			
A05M	196399-0	BATTERY BL1840 SET		2	*			
A05-1H	194204-5	BATTERY BL1830 SET	O	1	*			
A05-1I	194204-5	BATTERY BL1830 SET	O	2	*			
A05-1M	196399-0	BATTERY BL1840 SET	O	2	*			
A05-2H	197600-6	BATTERY BL1830B SET	<	1	*			
A05-2I	197600-6	BATTERY BL1830B SET	<	2	*			
A05-2M	197265-4	BATTERY BL1840B SET	<	2	*			
A05-3H	197600-6	BATTERY BL1830B SET	O	1				
A05-3I	197600-6	BATTERY BL1830B SET	O	2				
A05-3M	197265-4	BATTERY BL1840B SET	O	2				
A06H	802T80-0	DJR181RF PLASTIC CASE LABEL		1				
A06I	802T81-8	DJR181RFE PLASTIC CASE LABEL		1	*			
A06M	803U15-0	DJR181RM PLASTIC CASE LABEL		1	*			
A06-1I	802T85-0	DJR181RFE PLASTIC CASE LABEL	<	1				
A06-1M	806J43-8	DJR181RME PLASTIC CASE LABEL	<	1				
A07I	450128-8	BATTERY COVER		1				
A07M	450128-8	BATTERY COVER		1				

Please order the parts with part number.

Print Date 26/3/2020