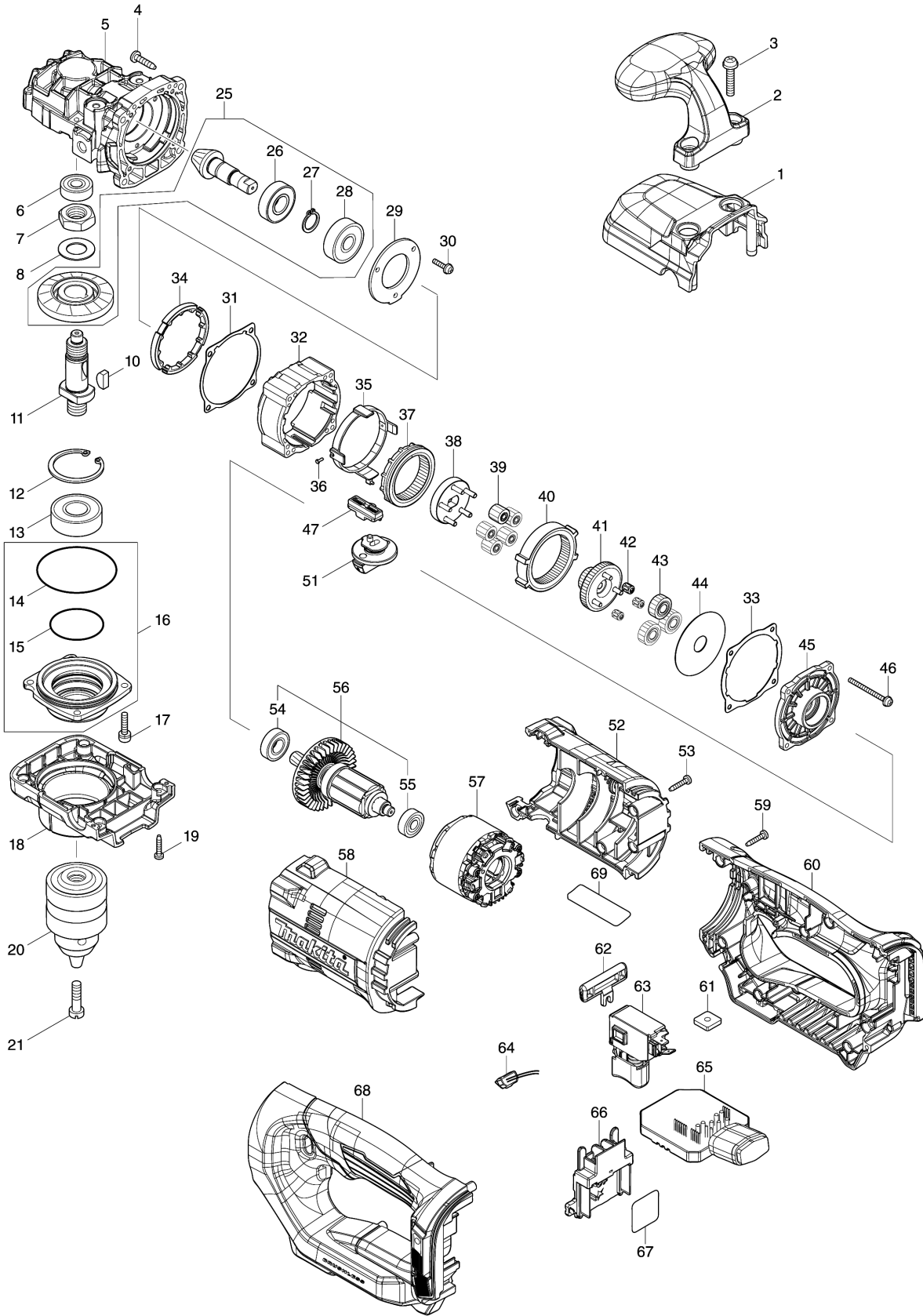


Model No.DDA450 13MM CORDLESS ANGLE DRILL



Model No.DDA450 13MM CORDLESS ANGLE DRILL

Item	Parts No.	Description	I/C	Qty	New/Old	Opt. 1	Opt. 2	Note
001	183S72-5	COVER SET		1				
D10		INC. 18						
002	413433-4	FRONT HANDLE		1				
003	911243-8	PAN HEAD SCREW M5X25		2				
004	266326-2	TAPPING SCREW 4X18		4				
005	312B07-9	GEAR HOUSING		1				
006	211032-4	BALL BEARING 608ZZ		1				
007	252299-5	HEX. NUT M14		1				
008	253536-0	FLAT WASHER 14		1				
010	254032-1	WOODRUFF KEY 5		1				
011	327774-1	SPINDLE		1				
012	962153-2	RETAINING RING R-35		1				
013	211228-7	BALL BEARING 6202DDW		1				
014	213656-2	O RING 53		1				
015	213A04-1	O RING 35		1				
016	136450-4	BEARING BOX ASSY		1				
D10		INC. 14,15						
017	911126-2	PAN HEAD SCREW M4X16		4				
018	183S72-5	COVER SET		1				
D10		INC. 1						
019	266130-9	TAPPING SCREW BIND PT 3X16		4				
020	763183-4	DRILL CHUCK S13		1				
021	251425-3	- FLAT HEAD SCREW M6X22		1				
025	136451-2	SPIRAL BEVEL GEAR ASSY		1				
D10		INC. 26-28						
026	211131-2	BALL BEARING 6001DDW		1				
027	961052-5	RETAINING RING S-12		1				
028	211067-5	BALL BEARING 6200ZZ		1				
029	285044-3	BEARING RETAINER 48		1				
030	911018-5	PAN HEAD SCREW M3X12		3				
031	422683-0	GASKET A		1				
032	413437-6	GEAR CASE		1				
033	422684-8	GASKET B		1				
034	313367-0	SPEED CHANGE CAM		1				
035	413439-2	SPEED CHANGE RING		1				
036	256952-5	PIN 1.4		2				
037	227881-9	INTERNAL SPUR GEAR 48		1				
038	141A18-9	CARRIER COMPLETE		1				
039	227880-1	SPUR GEAR 13		5				
040	227878-8	INTERNAL SPUR GEAR 62		1				
041	141A17-1	SPUR GEAR 22-48 COMPLETE		1				
042	212131-5	NEEDLE CAGE 307		3				

Please order the parts with part number.

Print Date 24/3/2021

Model No.DDA450 13MM CORDLESS ANGLE DRILL

Item	Parts No.	Description	I/C	Qty	New/Old	Opt. 1	Opt. 2	Note
043	227877-0	SPUR GEAR 25		3				
044	253493-2	FLAT WASHER 12		1				
045	413438-4	MOTOR BRACKET		1				
046	911063-0	PAN HEAD SCREW M3X35		4				
047	127066-6	CHANGE LEVER ASSEMBLY		1				
C10	232518-5	COMPRESSION SPRING 4		2				
051	127282-0	SPEED CHANGE LEVER ASSEMBLY		1				
C10	213118-0	O RING 12		1				
052	183S73-3	MOTOR HOUSING SET		1				
D10		INC. 58						
053	266130-9	TAPPING SCREW BIND PT 3X16		6				
054	210069-8	BALL BEARING 6900DDW		1				
055	211022-7	BALL BEARING 607ZZ		1				
056	519688-0	ROTOR ASSY		1				
D10		INC. 54,55						
057	629A60-5	STATOR		1				
058	183S73-3	MOTOR HOUSING SET		1				
D10		INC. 52						
059	266130-9	TAPPING SCREW BIND PT 3X16		9				
060	183S70-9	HANDLE SET		1				
C10	263005-3	RUBBER PIN 6		2				
C20	252126-6	HEX. LOCK NUT M4-7		1				
D10		INC. 68						
061	264002-2	SQUARE NUT M5		2				
062	419250-0	F/R CHANGE LEVER		1				
063	650710-5	SWITCH C3JW-4B		1				
064	620839-1	LED CIRCUIT		1				
065	620F07-2	CONTROLLER		1				
066	643874-2	TERMINAL		1				
067	811E86-7	DDA450 SERIAL NO. LABEL		1				
068	183S70-9	HANDLE SET		1				
C10	263005-3	RUBBER PIN 6		2				
C20	252126-6	HEX. LOCK NUT M4-7		1				
D10		INC. 60						
069	811E79-4	DDA450 NAME PLATE		1				
A01	158237-4	GRIP 36 COMPLETE		1				
A02	251314-2	+ SCREW M4X12		1				
A03	413434-2	KEY HOLDER		1				
A04	763259-7	CHUCK KEY S13		1				
A05	8033B2-5	DDA450ZK PLASTIC CASE LABEL		2				

Model No.DDA450 13MM CORDLESS ANGLE DRILL

Item	Parts No.	Description	I/C	Qty	New/Old	Opt. 1	Opt. 2	Note
A06	821856-6	PLASTIC CASE		1				
C10	162315-4	LATCH		2				
A10	127778-1	HOOK ASSEMBLY		1				
A11	911211-1	PAN HEAD SCREW M5X12		2				

Please order the parts with part number.

Print Date 24/3/2021