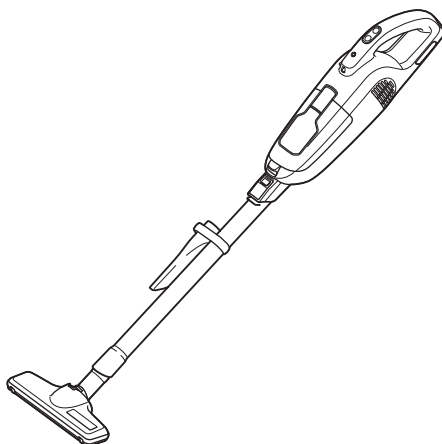




EN	Cordless Cleaner	INSTRUCTION MANUAL	8
SL	Brezžični čistilnik	NAVODILA ZA UPORABO	15
SQ	Pastruesi me bateri	MANUALI I PËRDORIMIT	22
BG	Акумулаторна прахосмукачка	РЪКОВОДСТВО ЗА ЕКСПЛОАТАЦИЯ	29
HR	Bežični usisavač	PRIRUČNIK S UPUTAMA	37
MK	Безжична правосмукалка	УПАТСТВО ЗА УПОТРЕБА	44
SR	Бежични чистач	УПУТСТВО ЗА УПОТРЕБУ	52
RO	Aspirator cu acumulator	MANUAL DE INSTRUCȚIUNI	60
UK	Бездротовий пилосос	ІНСТРУКЦІЯ З ЕКСПЛУАТАЦІЇ	68
RU	Аккумуляторный пылесос	РУКОВОДСТВО ПО ЭКСПЛУАТАЦИИ	76

CL114FD



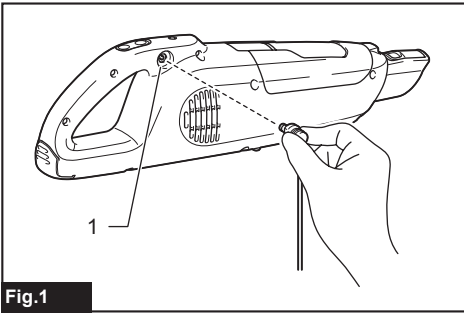


Fig.1

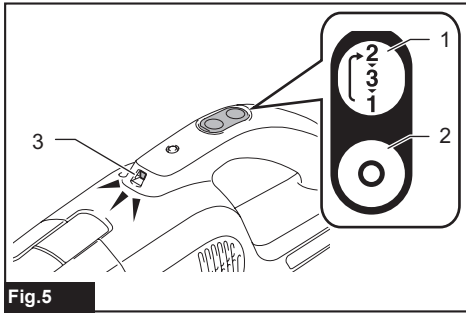


Fig.5

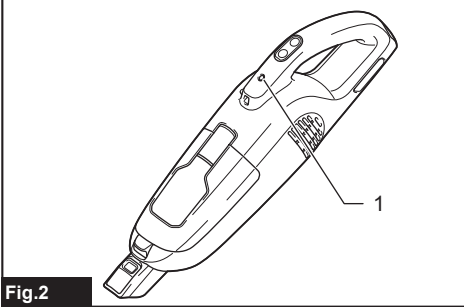


Fig.2

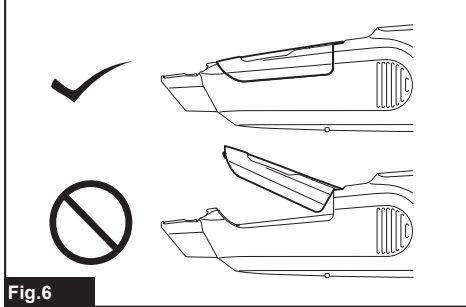


Fig.6

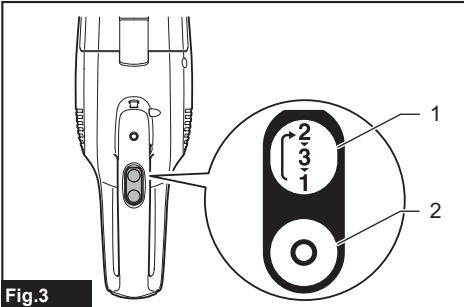


Fig.3

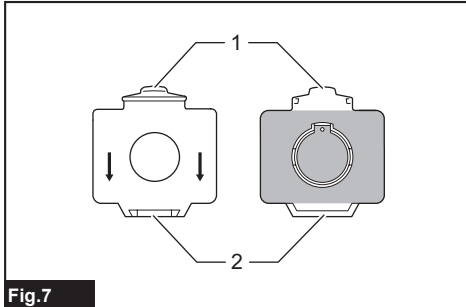


Fig.7

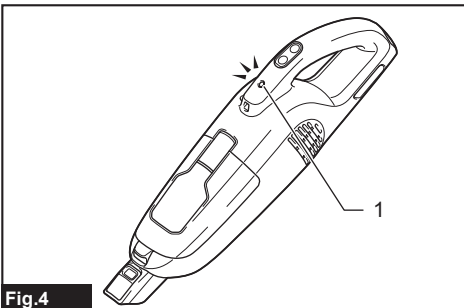


Fig.4

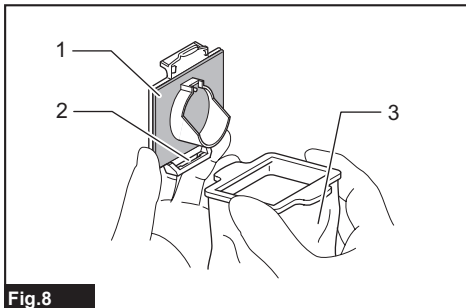
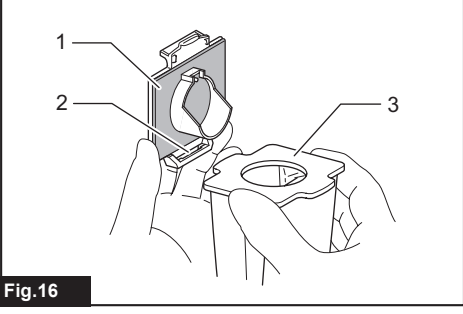
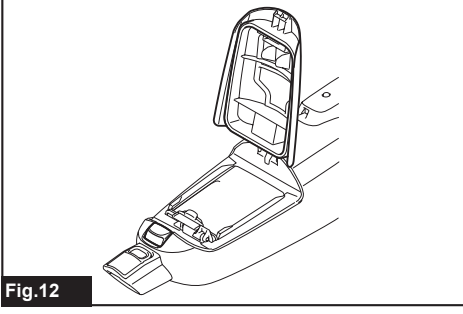
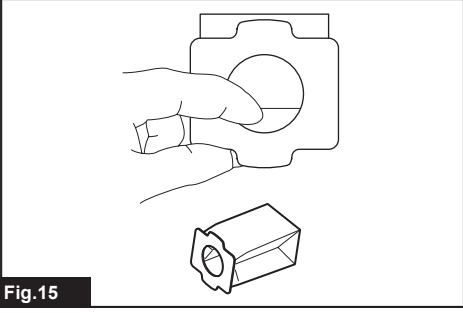
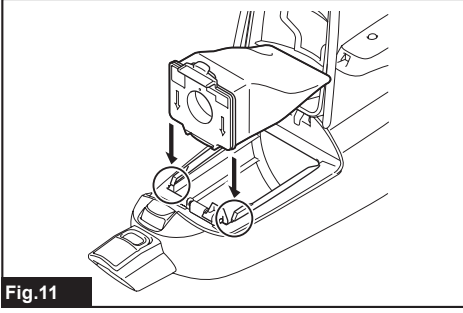
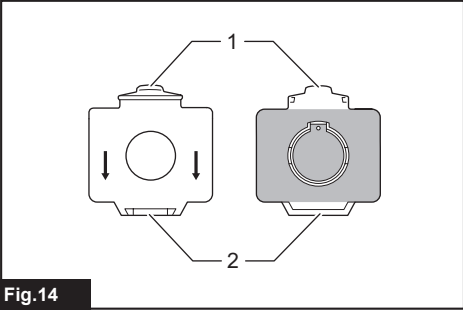
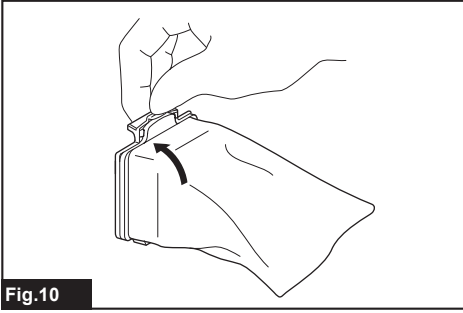
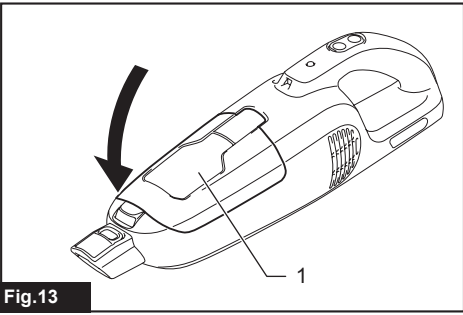
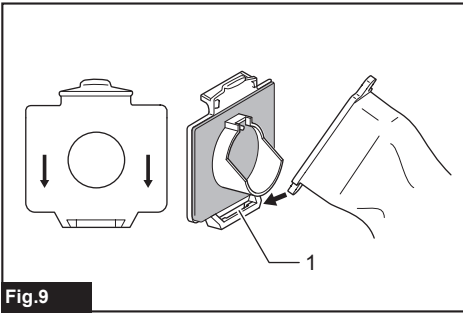


Fig.8



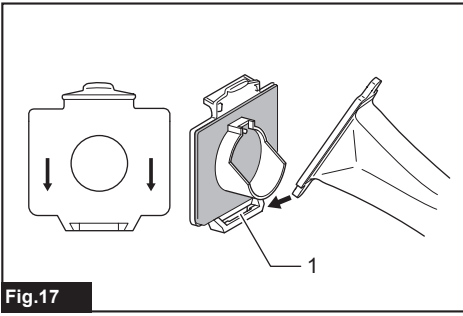


Fig.17

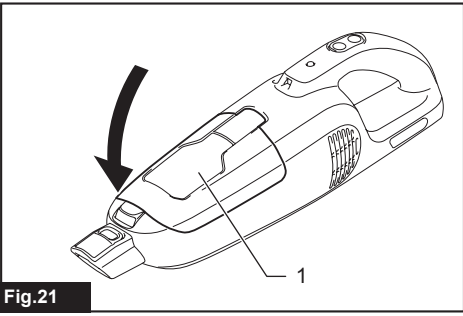


Fig.21

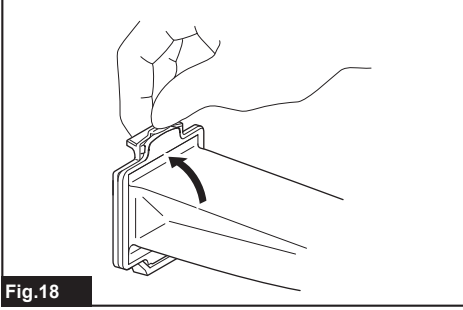


Fig.18

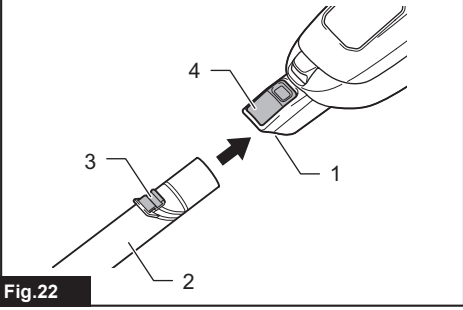


Fig.22

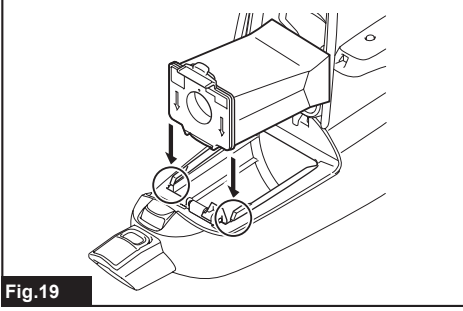


Fig.19

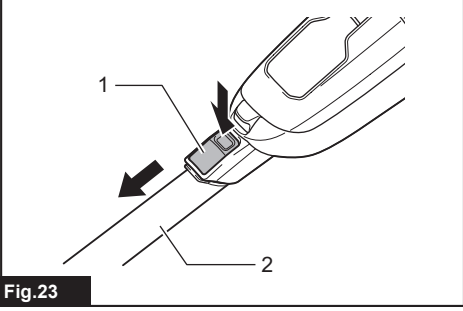


Fig.23

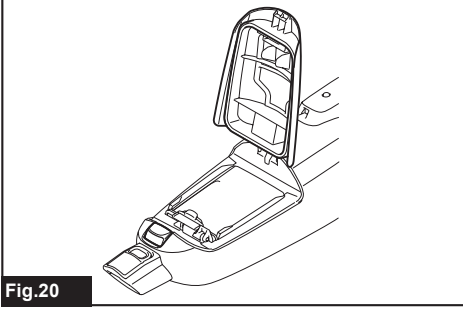


Fig.20

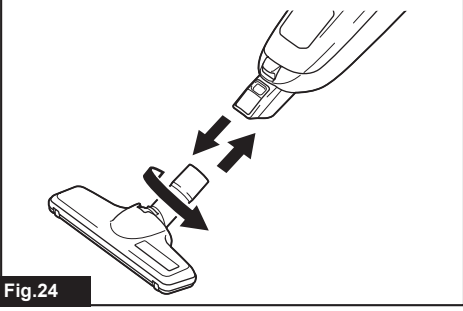


Fig.24

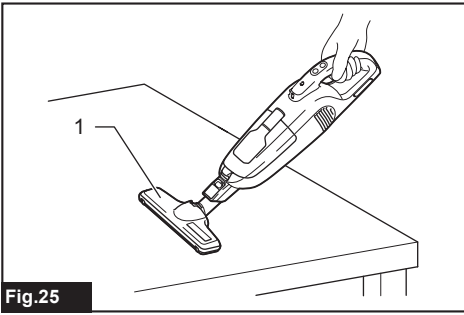


Fig.25

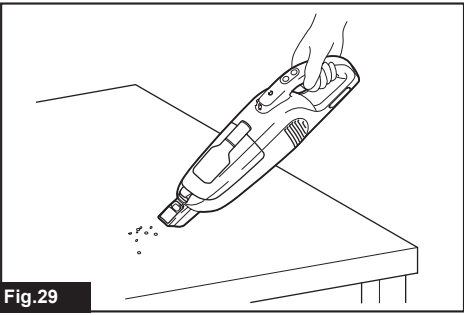


Fig.29

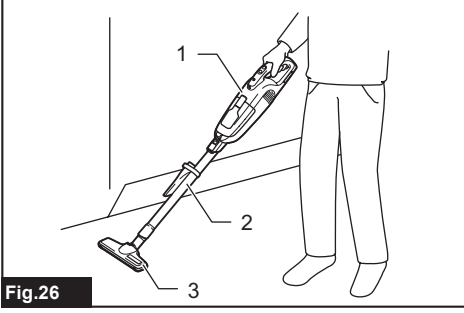


Fig.26

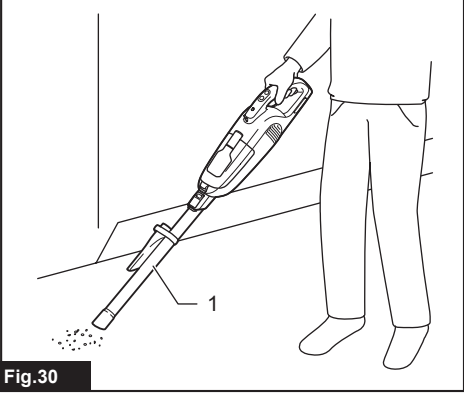


Fig.30

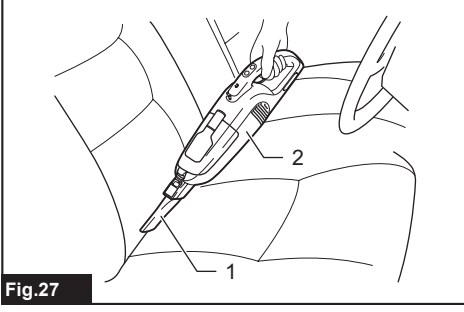


Fig.27

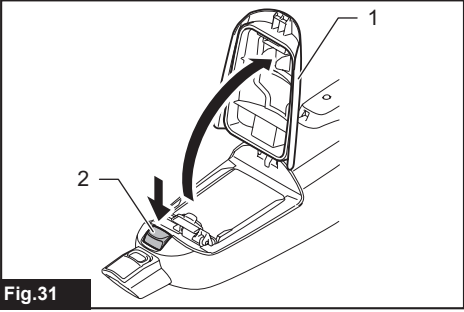


Fig.31

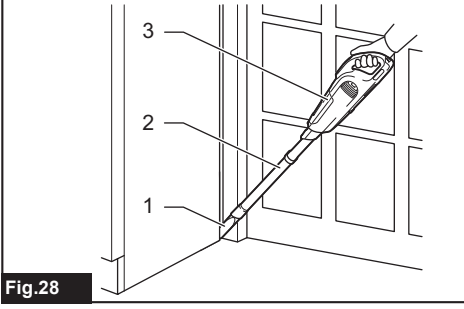


Fig.28

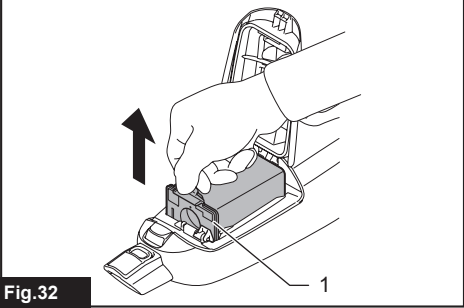


Fig.32

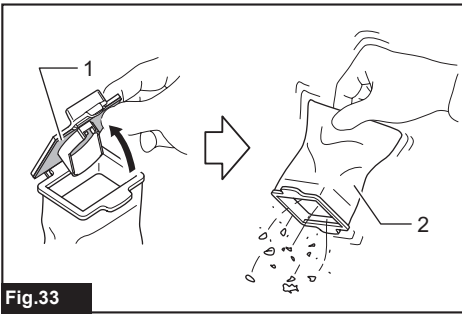


Fig.33

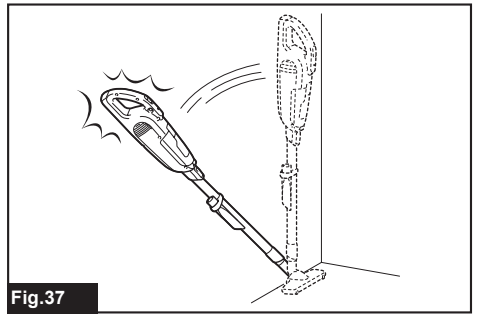


Fig.37

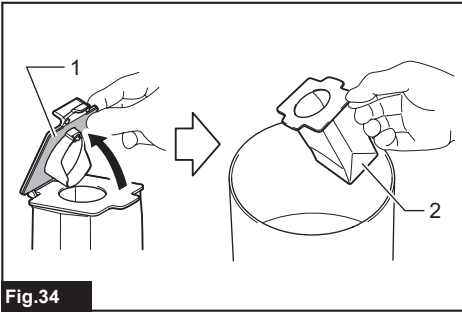


Fig.34

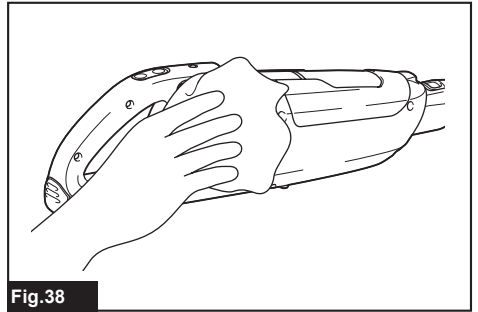


Fig.38

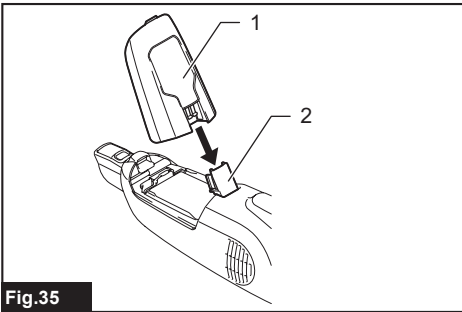


Fig.35

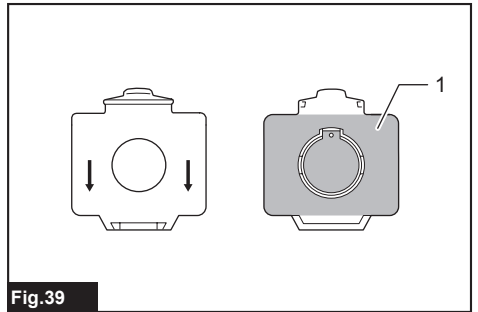


Fig.39

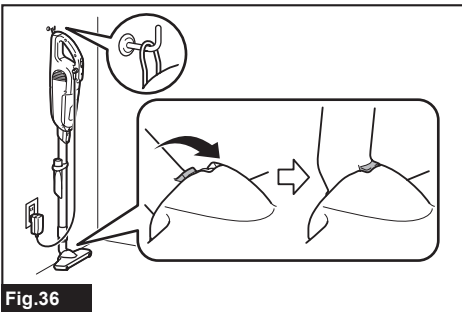


Fig.36

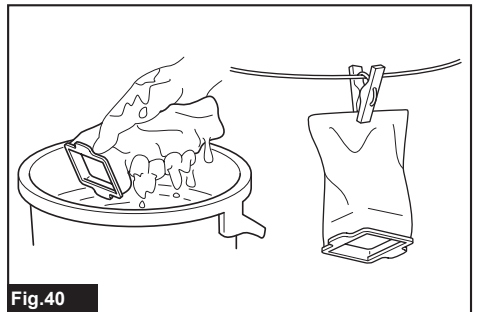


Fig.40

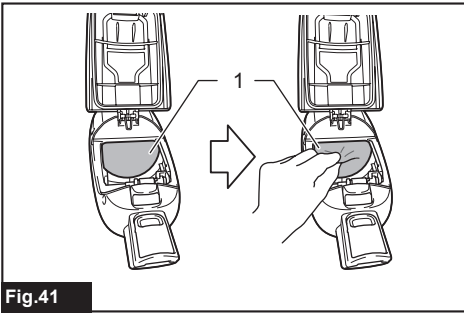


Fig.41

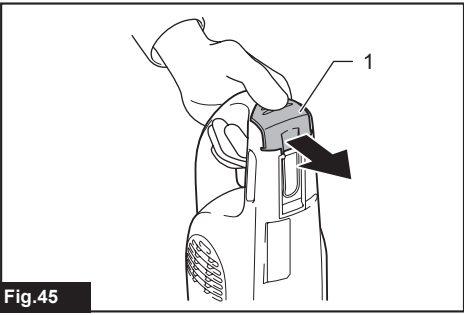


Fig.45

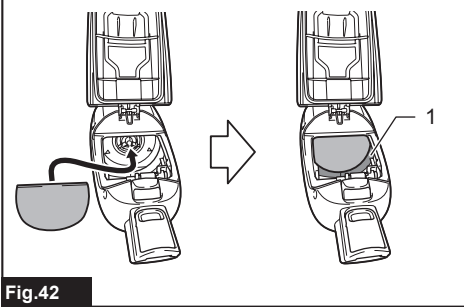


Fig.42

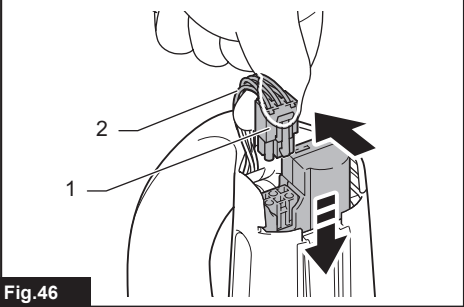


Fig.46

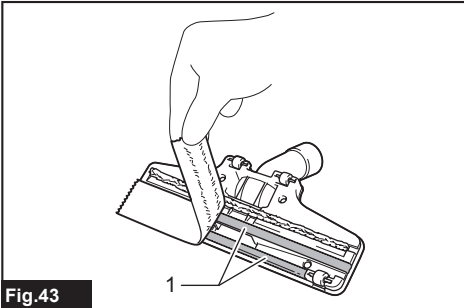


Fig.43

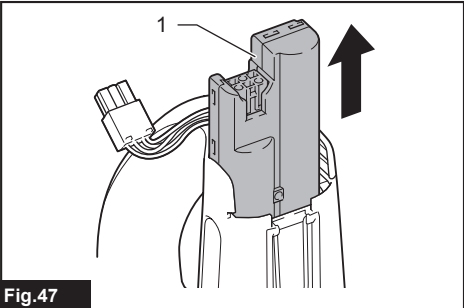


Fig.47

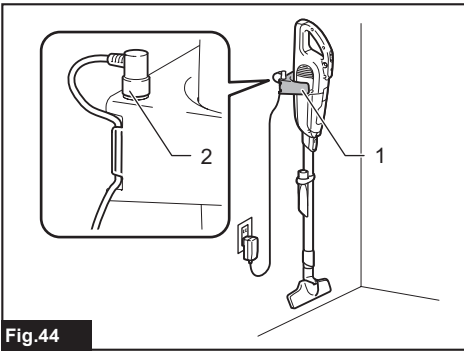


Fig.44

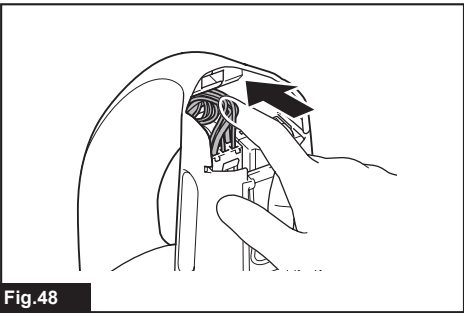


Fig.48

WARNING

This appliance can be used by children aged from 8 years and above and persons with reduced physical, sensory or mental capabilities or lack of experience and knowledge if they have been given supervision or instruction concerning use of the appliance in a safe way and understand the hazards involved. Children shall not play with the appliance. Cleaning and user maintenance shall not be made by children without supervision.

SPECIFICATIONS

Model:		CL114FD
Capacity	with a dust bag	500 ml
	with a paper filter	330 ml
Continuous use (with battery BL1020V)	3 (Max speed mode)	Approx. 10 min
	2 (High speed mode)	Approx. 18 min
	1 (Normal speed mode)	Approx. 55 min
Overall length	Cleaner body	458 mm
	With extension wand and nozzle	983 mm
Net weight		1.1 kg
Rated voltage		D.C. 10.8 V - 12 V max

- Due to our continuing program of research and development, the specifications herein are subject to change without notice.
- Specifications may differ from country to country.
- The weight does not include accessories.

Applicable battery cartridge and charger

Battery cartridge	Battery charger	Charging time (hours)
BL1020V	DC1002	2.0

- Charging time varies by temperature (10°C (50°F) – 40°C (104°F)) that battery cartridge is charged at and conditions of the battery cartridge, such as a battery cartridge which is new or has not been used for a long period of time.

⚠ WARNING: Only use the battery cartridges and chargers listed above. Use of any other battery cartridges and chargers may cause injury and/or fire.

Symbols

The followings show the symbols which may be used for the equipment. Be sure that you understand their meaning before use.



Read instruction manual.



Detachable supply unit



Ni-MH
Li-ion

Only for EU countries
Do not dispose of electric equipment or battery pack together with household waste material! In observance of the European Directives, on Waste Electric and Electronic Equipment and Batteries and Accumulators and Waste Batteries and Accumulators and their implementation in accordance with national laws, electric equipment and batteries and battery pack(s) that have reached the end of their life must be collected separately and returned to an environmentally compatible recycling facility.

Intended use

The appliance is intended for collecting dry dust.

SAFETY WARNINGS

Cordless cleaner safety warnings

⚠ WARNING: IMPORTANT! READ CAREFULLY all safety warnings and all instructions BEFORE USE. Failure to follow the warnings and instructions may result in electric shock, fire and/or serious injury.

1. Do not expose to rain. Store indoors.
2. Do not allow to be used as a toy. Close attention is necessary when used by or near children.
3. Use only as described in this manual. Use only manufacturer's recommended attachments.
4. Do not use with damaged battery. If appliance is not working as it should, has been dropped, damaged, left outdoors, or dropped into water, return it to a service center.
5. Do not handle appliance with wet hands.
6. Do not put any object into openings. Do not use with any opening blocked; keep free of dust, lint, hair, and anything that may reduce air flow.
7. Keep hair, loose clothing, fingers, and all parts of body away from openings and moving parts.
8. Turn off all controls before removing the battery.
9. Use extra care when cleaning on stairs.
10. Do not use to pick up flammable or combustible liquids, such as gasoline, or use in areas where they may be present.
11. Use only the charger supplied by the manufacturer to recharge.
12. Do not pick up anything that is burning or smoking, such as cigarettes, matches, or hot ashes.
13. Do not use without dust bag and/or filters in place.
14. Do not charge the battery outdoors.
15. Recharge only with the charger specified by the manufacturer. A charger that is suitable for one type of battery pack may create a risk of fire when used with another battery pack.
16. Use power tools only with specifically designated battery packs. Use of any other battery packs may create a risk of injury and fire.
17. When (the) battery pack is not in use, keep it away from other metal objects, like paper clips, coins, keys, nails, screws or other small metal objects, that can make a connection from one terminal to another.
18. Under abusive conditions, liquid may be ejected from the battery; avoid contact. If contact accidentally occurs, flush with water.

19. Do not use a battery pack or tool that is damaged or modified. Damaged or modified batteries may exhibit unpredictable behaviour resulting in fire, explosion or risk of injury.
20. Do not expose a battery pack or tool to fire or excessive temperature. Exposure to fire or temperature above 130 °C may cause explosion.
21. Follow all charging instructions and do not charge the battery pack or tool outside the temperature range specified in the instructions. Charging improperly or at temperatures outside the specified range may damage the battery and increase the risk of fire.

SAVE THESE INSTRUCTIONS.

ADDITIONAL SAFETY RULES

This appliance is intended for household use.

1. Read this instruction manual and the charger instruction manual carefully before use.
2. Do not pick up the following materials:
 - Hot materials such as lit cigarettes or spark/metal dust generated by grinding/cutting metal
 - Flammable materials such as gasoline, thinner, benzene, kerosene or paint
 - Explosive materials like nitroglycerin
 - Ignitable materials such as Aluminum, zinc, magnesium, titanium, phosphorus or celluloid
 - Wet dirt, water, oil or the like
 - Hard pieces with sharp edges, such as wood chips, metals, stones, glasses, nails, pins or razors
 - Powder to clot such as cement or toner
 - Conductive dust such as metal or carbon
 - Fine particle like concrete dustSuch action may cause fire, injury and/or property damage.
3. Stop operation immediately if you notice anything abnormal.
4. If you drop or strike the cleaner, check it carefully for cracks or damage before operation.
5. Do not bring close to stoves or other heat sources.
6. Do not block the intake hole or vent holes.

SAVE THESE INSTRUCTIONS.

IMPORTANT SAFETY INSTRUCTIONS

FOR BUILT-IN BATTERY

1. Before using built-in battery, read all instructions and cautionary markings on (1) battery charger, (2) battery, and (3) product using battery.
2. Do not disassemble built-in battery.
3. If operating time has become excessively shorter, stop operating immediately. It may result in a risk of overheating, possible burns and even an explosion.

4. If electrolyte gets into your eyes, rinse them out with clear water and seek medical attention right away. It may result in loss of your eyesight.
5. Do not short the built-in battery:
 - (1) Do not touch the terminals with any conductive material.
 - (2) Avoid storing built-in battery in a container with other metal objects such as nails, coins, etc.
 - (3) Do not expose built-in battery to water or rain.
A battery short can cause a large current flow, overheating, possible burns and even a breakdown.
6. Do not store and use the tool and built-in battery in locations where the temperature may reach or exceed 50 °C (122 °F).
7. Do not incinerate the built-in battery even if it is severely damaged or is completely worn out. The built-in battery can explode in a fire.
Be careful not to drop or strike battery.
8. Do not use a damaged built-in battery.
10. The contained lithium-ion batteries are subject to the Dangerous Goods Legislation requirements. When disposing the battery, remove it from the tool and dispose of it in a safe place. Follow your local regulations relating to disposal of battery.
11. Use the batteries only with the products specified by Makita.

SAVE THESE INSTRUCTIONS.

Tips for maintaining maximum battery life

1. Charge the built-in battery before completely discharged.
Always stop tool operation and charge the built-in battery when you notice less tool power.
2. Never recharge a fully charged built-in battery. Overcharging shortens the battery service life.
3. Charge the built-in battery with room temperature at 10°C - 40°C (50°F - 104°F). Let a hot built-in battery cool down before charging it.
4. Charge the built-in battery once in every six months if you do not use the tool for a long period of time.

FUNCTIONAL DESCRIPTION

CAUTION: Always be sure that the appliance is switched off before adjusting or checking function on the appliance.

Charging the built-in battery

CAUTION: Only use genuine Makita batteries. Use of non-genuine Makita batteries, or batteries that have been altered, may result in the battery bursting causing fires, personal injury and damage. It will also void the Makita warranty for the Makita product and charger.

CAUTION: Always disconnect the charging plug from the cleaner after charging.

CAUTION: Do not leave the charger in the mains after disconnecting the appliance. Small children may put the live plug in their mouth and cause injury.

Charge the cleaner when using it for the first time or uncharged for a long time. Connect the charging plug to the charging connector, then plug in the charger to the power receptacle.

► Fig.1: 1. Charging connector

The battery power lamp lights up and the charging starts. The light goes out after the charging is complete. For more details, refer to the instruction manual of battery charger.

► Fig.2: 1. Battery power lamp

NOTICE: The battery power lamp blinks and the battery cannot be charged if the battery or cleaner is exposed to extreme temperatures.

NOTE: The cleaner cannot be controlled while being charged. To start the cleaner, unplug the charger from the power source, disconnect the charging plug from the cleaner, and then push the ON/speed change button.

NOTE: Under the following conditions, the battery is about to reach its end of life (or damaged/malfunctioned). Unplug the charger from the power supply, then replace the battery.

- The battery power lamp goes out shortly after you begin to charge the cleaner.
- The cleaner works only for a period shorter than half of the normal operating time after the battery has been fully charged.

NOTE: The battery can be recharged up to approximately 500 times. The rechargeable times vary depending on the conditions under which the battery has been charged and discharged.

Switch action

CAUTION: Always switch off the cleaner after each use to prevent damage to the cleaner and to extend the service life of the batteries.

To start the cleaner, simply push the ON/speed change button. To switch off, push the OFF button. You can change the cleaner speed in three steps by pushing the ON/speed change button. The first push on this button is for high speed mode, the second push for max speed mode and the third push for normal speed mode. Each push on this button repeats the high/max/normal speed cycle alternatively.

► **Fig.3:** 1. ON/speed change button 2. OFF button

Battery power lamp

When the remaining battery capacity gets low, the battery power lamp blinks. When the remaining battery capacity gets much lower, the cleaner stops and the battery power lamp lights up about 10 seconds. At this time, charge the battery. Also when the battery gets overloaded or overheated, the cleaner stops and the battery power lamp lights up about 10 seconds. The cleaner does not actuate during the lamp on.

► **Fig.4:** 1. Battery power lamp

NOTE: The time at which the battery power lamp start blinking or lighting up depends on the temperature at work place and the battery conditions.

Lighting up the lamp

CAUTION: Do not look in the light or see the source of light directly.

To turn on the lamp, push the ON/speed change button. Push the OFF button to turn off the lamp. During the cleaner actuating, the lamp turns on.

► **Fig.5:** 1. ON/speed change button 2. OFF button
3. Lamp

ASSEMBLY

CAUTION: Always be sure that the appliance is switched off before carrying out any work on the appliance.

Dust bag and paper filter

Install either dust bag or paper filter before using cleaner. Use the dust stopper when installing either dust bag or paper filter. Dust bag are usable many times repeatedly by cleaning it out. Paper filter is a throw-away type. Throw away the entire paper filter without emptying when it has become full.

NOTICE: To prevent dust from getting into the motor:

- Make sure that the dust bag or paper filter is installed before use.
- Insert the dust stopper together with the dust bag or paper filter all the way into the slots when installing them.
- Do not use a broken or ripped bag.

Otherwise the motor may be broken.

NOTICE: Do not fold the cardboard at its opening when installing the paper filter.

NOTICE: Never throw away the dust stopper because it needs to be used repeatedly whenever either the dust bag or the paper filter is used.

NOTICE: The paper filter for the cleaner is an important component for maintaining the cleaner performance. Using other than the genuine paper filter may cause smokes or ignition.

NOTE: When the dust bag or the paper filter is not installed in the cleaner, the front cover does not close completely.

► **Fig.6**

Installing dust bag

Use the dust stopper when installing dust bag. Be careful not to take the upper side for the lower side by mistake because they are different each other.

► **Fig.7:** 1. Upper side of dust stopper 2. Lower side of dust stopper

1. Insert the protrusion of the dust bag into the lower groove on the dust stopper as shown in the figure.

► **Fig.8:** 1. Dust stopper 2. Lower groove 3. Dust bag

2. There is no distinction between the upper and lower sides of the dust bag. You may insert its protrusion of either side into the lower groove of the dust stopper.

► **Fig.9:** 1. Lower groove

3. Overlap the frame of dust stopper with that of the dust bag.

► **Fig.10**

4. Place the dust stopper and the dust bag together into the cleaner cavity in the same direction of arrow on the dust stopper. Insert them all the way into the slots in the cleaner cavity.

► **Fig.11**

5. Spread the cloth part of the dust bag inside the cleaner.

► **Fig.12**

6. Close the front cover completely.

► **Fig.13:** 1. Front cover

Installing the paper filter

Use the dust stopper also when installing paper filter. Be careful not to take the upper side for the lower side by mistake because they are different each other.

► **Fig.14:** 1. Upper side of dust stopper 2. Lower side of dust stopper

1. Unfold the entrance of the paper filter before setting it on the dust stopper.
► **Fig.15**
2. Insert the protrusion of the paper filter into the lower groove on the dust stopper as shown in the figure.
► **Fig.16:** 1. Dust stopper 2. Lower groove 3. Paper filter
3. There is no distinction between the upper and lower sides of the paper filter. You may insert its protrusion of any side into the lower groove of the dust stopper.
► **Fig.17:** 1. Lower groove
4. Overlap the frame of dust stopper with that of the paper filter.
► **Fig.18**
5. Place the dust stopper and the paper filter together into the cleaner cavity in the same direction of arrow on the dust stopper. Insert them all the way into the slots in the cleaner cavity.
► **Fig.19**
6. Spread the container part of the paper filter inside the cleaner.
► **Fig.20**
7. Close the front cover completely.
► **Fig.21:** 1. Front cover

OPERATION

CAUTION: Do not move your face close to the air vent when operating the cleaner. If foreign objects are blown into eyes, it may result in personal injury.

Installing or removing the cleaner attachment

CAUTION: After installing an attachment, check if it is securely installed. If the attachment is installed imperfectly, it may come off and cause personal injury.

CAUTION: Be careful not to hit your hand on the wall etc. when removing the attachment.

When using attachment with lock function

To install an attachment, insert it to the suction inlet of the cleaner until it clicks. Make sure that the attachment is locked.

► **Fig.22:** 1. Suction inlet 2. Attachment with lock function 3. Hook 4. Release button

NOTE: When installing the attachment with lock function, be sure to align the release button with the hook on the attachment. If they are not aligned, the attachment will not be locked and may come off from the cleaner.

To remove the attachment, pull it while pushing the release button.

► **Fig.23:** 1. Release button 2. Attachment with lock function

When using attachment without lock function

CAUTION: To install an attachment without lock function, twist and insert it in direction of the arrow to secure the connection during use. To remove the attachment, twist and extract it also in direction of the arrow.

► **Fig.24**

Cleaning (Suction)

Nozzle

Attach the nozzle to clean off tables, desks, furniture, etc. The nozzle slips on easily.

► **Fig.25:** 1. Nozzle

Nozzle + Extension wand (Straight pipe)

The extension wand fits in between the nozzle and the cleaner itself. This arrangement is convenient for cleaning a floor in a standing position.

► **Fig.26:** 1. Cleaner body 2. Extension wand
3. Nozzle

Corner nozzle

Fit on the corner nozzle for cleaning corners and crevices of a car seat or furniture.

► **Fig.27:** 1. Corner nozzle 2. Cleaner body

Corner nozzle + Extension wand (Straight pipe)

In tight quarters where the cleaner itself cannot squeeze in, or in high places hard to reach, use this arrangement.

► **Fig.28:** 1. Corner nozzle 2. Extension wand
3. Cleaner body

Cleaning without nozzle

You can pick up powder and dust without nozzle.

► **Fig.29**

For picking up dust on a floor in a standing position, it is convenient to attach the extension wand to the cleaner.

► **Fig.30:** 1. Extension wand

Disposing of dust

CAUTION: Empty the cleaner before it becomes too full, or the suction force weakens.

CAUTION: When closing the front cover, be careful not to pinch your fingers.

NOTICE: Never throw away the dust stopper because it should be used whenever either the dust bag or the paper filter is used.

NOTICE: When the dust bag/paper filter is not inside of the cleaner, the front cover does not close completely. Do not force to close the front cover. It may result in deforming or breakage of the cleaner.

NOTICE: When disposing of dust, also clean the room for the dust bag/paper filter. The remaining dust and dirt in the room may cause the sponge filter to be clogged or the motor to be damaged.

1. Push the button to open the front cover. Opening it until a click is heard allows a positive stop at that position.
► **Fig.31:** 1. Front cover 2. Button

2. Pull out both the orange-colored dust stopper and dust bag/paper filter together at the same time.
► **Fig.32:** 1. Dust stopper

3. Perform the procedures below depending on the dust container type:

When using the dust bag

Remove the dust stopper and empty the dust bag.
► **Fig.33:** 1. Dust stopper 2. Dust bag

When using the paper filter

Remove the dust stopper and dispose of the paper filter.
► **Fig.34:** 1. Dust stopper 2. Paper filter

4. Place the dust bag/new paper filter and dust stopper together into the cleaner and close the front cover.

NOTE: The cleaner is constructed in such a way that the front cover comes off when trying to force the front cover open at the angle of more than 90°. If the front cover comes off, insert it into the front cover joint in place.

► **Fig.35:** 1. Front cover 2. Front cover joint

MAINTENANCE

CAUTION: Always be sure that the appliance is switched off before attempting to perform inspection or maintenance.

To maintain product SAFETY and RELIABILITY, repairs, any other maintenance or adjustment should be performed by Makita Authorized or Factory Service Centers, always using Makita replacement parts.

NOTICE: Never use gasoline, benzine, thinner, alcohol or the like. Discoloration, deformation or cracks may result.

After use

When storing or charging the cleaner, lock the nozzle head, and hang it from a hook available in the market.
► **Fig.36**

CAUTION: Putting the cleaner against the wall without any other support may cause the cleaner to fall down and be damaged.

► **Fig.37**

Cleaning

Cleaner body

From time to time wipe off the outside (cleaner body) of the cleaner using a cloth dampened in soapy water. Clean out also the suction opening, dust bag/paper filter mounting area and the dust stopper.

► **Fig.38**

Dust stopper

Wipe dust off from the dust stopper. Remove dust and dirt on the sponge part by lightly tapping it.
► **Fig.39:** 1. Sponge part

Dust bag

Wash the dust bag in soapy water when it is clogged with dust and the cleaner power becomes weak. Dry it out thoroughly before use. An insufficiently dried bag may cause poor suction and shorten the service life of the motor.

► **Fig.40**

NOTE: Paper filter is a throw-away type.

When the sponge filter is clogged with dust, remove it from the cleaner and then wipe it off or wash in water.

Removing and installing the sponge filter

CAUTION: After cleaning sponge filter, be sure to install it on the cleaner. If washed in water, dry it up before installing. An insufficiently dried sponge filter may shorten the service life of the motor.

To remove the sponge filter, remove the dust bag or paper filter and then pinch and take the sponge filter out.

► **Fig.41:** 1. Sponge filter

To install the filter, press in the whole edge of the sponge filter against the recessed wall inside the dust bag/paper filter mounting area.

► **Fig.42:** 1. Recessed wall

The nozzle cleaning

(country specific)

When the nozzle brush gets dusty, clean up the dust with adhesive tape.

► **Fig.43:** 1. Brush

Wall mount for cordless cleaner

Optional accessory

NOTE: The screw to mount the holder is not included. Prepare a screw which fits with the material to screw into.

Attach the wall mount for cordless cleaner to a hard wooden wall, beam or column, where the wall mount for cordless cleaner can be firmly secured. Always be sure that the wall mount for cordless cleaner is securely attached before hanging the cleaner.

► **Fig.44:** 1. Wall mount for cordless cleaner 2. Plug

CAUTION: Do not hang the cleaner to the wall mount violently or hang other appliances than the cleaner.

NOTE: When you don't charge the cleaner, the plug can be stored on the wall mount for cordless cleaner as illustrated.

Troubleshooting

Before asking for repairs, check the following points.

Symptom	Area to be investigated	Fixing method
Weak suction power	Is dust bag or paper filter full of dust ?	Empty dust bag or paper filter.
	Is dust bag clogged ?	Dust down or wash the dust bag.
	Is paper filter clogged ?	Replace paper filter.
	Is the battery cartridge exhausted ?	Charge the battery cartridge.
Not working	Is the battery cartridge exhausted ?	Charge the battery cartridge.
Dust case cover does not close	Is dust bag or paper filter set ?	Set dust bag or paper filter.

NOTICE: Do not attempt to repair cleaner by yourself.

Disposing cleaner

A Li-ion battery is built in this cleaner. Always remove it before disposing of the cleaner.

Removing built-in battery

CAUTION: Do not touch the terminals with any conductive material.

CAUTION: Avoid storing battery unit in a container with other metal objects such as nails, coins, etc.

CAUTION: Do not expose battery unit to water or rain.

CAUTION: Do not disassemble or alter battery unit.

CAUTION: The cleaner must be disconnected from the supply mains when removing the battery.

- To remove the rear cover, push it in the direction of the arrow.
► **Fig.45:** 1. Rear cover
- Slide the built-in battery halfway. Disconnect the lead wires from the battery by slightly moving back the battery while pressing the connector in the direction of arrow as shown in the figure.
► **Fig.46:** 1. Connector 2. Lead wires
- Then slide the battery unit out completely.
► **Fig.47:** 1. Battery unit
- Put the removed battery unit in a carton box so that it is not circuit-shortened.

Installing replacement battery

To install the replacement battery, follow the removal procedure in reverse.

CAUTION: Route the lead so that it is completely stored inside the cleaner before putting the rear cover back in the original position. Failure to do this may damage the lead.

► **Fig.48**

After installing the battery (see "SPECIFICATIONS"), charge the battery before use.

OPTIONAL ACCESSORIES

CAUTION: These accessories or attachments are recommended for use with your Makita appliance specified in this manual. The use of any other accessories or attachments might present a risk of injury to persons. Only use accessory or attachment for its stated purpose.

If you need any assistance for more details regarding these accessories, ask your local Makita Service Center.

- Extension wand (Straight pipe)
- Nozzle
- Nozzle for carpet
- Shelf brush
- Corner nozzle
- Round brush
- Flexible hose
- Paper filter
- Wall mount for cordless cleaner
- Replacement battery
- Free nozzle
- Seat nozzle
- Crevice nozzle
- Cyclone attachment

NOTE: Some items in the list may be included in the appliance package as standard accessories. They may differ from country to country.

OPOZORILO

To napravo lahko na varen način, če razumejo vključena tveganja, uporabljajo otroci, stari 8 let in več ter osebe z zmanjšanimi fizičnimi, čutilnimi ali psihičnimi sposobnostmi, ter s pomanjkanjem izkušenj in znanja, če so pod ustreznim nadzorom ali so prejeli navodila v zvezi z uporabo naprave. Otroci se z napravo ne smejo igrati. Otroci brez nadzora ne smejo izvajati čiščenja in uporabniškega vzdrževanja.

TEHNIČNI PODATKI

Model:		CL114FD
Zmogljivost	z vrečko za prah	500 ml
	s papirnatiim filtrom	330 ml
Neprekinjena uporaba (z akumulatorjem BL1020V)	3 (način z največjo hitrostjo)	Pribl. 10 min
	2 (način z visoko hitrostjo)	Pribl. 18 min
	1 (način z običajno hitrostjo)	Pribl. 55 min
Celotna dolžina	Ohišje čistilnika	458 mm
	S podaljševalno palico in šobo	983 mm
Neto teža		1,1 kg
Nazivna napetost		D.C. 10,8 V – 12 V

- Ker nenehno opravljamo raziskave in razvijamo svoje izdelke, se lahko tehnični podatki v tem dokumentu spremenijo brez obvestila.
- Tehnični podatki se lahko razlikujejo od države do države.
- Teža ne vključuje pripomočkov.

Uporabna akumulatorska baterija in polnilnik

Akumulatorska baterija	Polnilnik akumulatorja	Čas polnjenja (ure)
BL1020V	DC1002	2,0

- Čas polnjenja se razlikuje glede na temperaturo (10 °C (50 °F) – 40 °C (104 °F)), pri kateri se polni akumulatorska baterija, in stanje akumulatorske baterije, na primer to, ali je akumulatorska baterija nova ali pa ni bila v uporabi dolgo časa.

⚠ OPOZORILO: Uporabljajte le zgoraj navedene akumulatorske baterije in polnilnike. Uporaba drugih akumulatorskih baterij in polnilnikov lahko povzroči telesne poškodbe in/ali požar.

Simboli

Naslednji simboli se lahko uporabljajo v povezavi s strojem. Pred uporabo izdelka se obvezno seznanite z njihovim pomenom.



Preberite navodila za uporabo.



Snemljiv napajalna enota



Ni-MH
Li-ion

Samo za države EU
Električnega orodja in akumulatorske baterije ne odlagajte skupaj z gospodinjstvi odpadki! V skladu z evropskimi direktivami o odpadni električni in elektronski opremi, baterijah in akumulatorjih, odpadnih baterijah in akumulatorjih ter upoštevanjem njihovih določil v skladu z državno zakonodajo je treba električno opremo, baterije in akumulatorje, katerih življenjska doba je pretekla, zbirati ločeno in jih dostaviti v ustrezen obrat za recikliranje, ki deluje skladno z okoljevarstvenimi zahtevami.

Predvidena uporaba

Naprava je namenjena zbiranju suhega prahu.

VARNOSTNA OPOZORILA

Varnostna opozorila za brezžični čistilnik

⚠ OPOZORILO: POMEMBNO! POZORNO
PREBERITE vsa varnostna opozorila in navodila pred uporabo. Zaradi neupoštevanja opozoril in navodil lahko pride do električnega šoka, požara in/ali hudih telesnih poškodb.

1. **Ne izpostavljajte dežju.** Hranite v notranjih prostorih.
2. **Ne dovolite igranja z napravo.** Potrebna je posebna pozornost, kadar napravo uporabljajo otroci ali se uporablja v njihovi bližini.
3. **Uporabljajte le v skladu z opisi v tem priločniku.** Uporabljajte le priključke, ki jih priporoča proizvajalec.
4. **Ne uporabljajte naprave s poškodovanim akumulatorjem.** Če naprava ne deluje, kot bi morala, je padla, je poškodovana, pozabljena na prostem ali je padla v vodo, jo odnesite v servis.
5. **Ne rokujte z napravo z mokrimi rokami.**
6. **Ne vstavljajte predmetov v odprtine.** Ne uporabljajte z zamašenimi odprtini; odstranite prah, vlakna, lase in vse, kar bi lahko zmanjšalo pretok zraka.
7. **Las, ohlapnih oblačil, prstov in nobenih delov telesa ne približujte odprtini in premikajočim se delom.**
8. **Preden odstranite akumulator, izklopite vse upravljalne elemente.**
9. **Med čiščenjem na stopnicah bodite izjemno previdni.**
10. **Ne uporabljajte za pobiranje vnetljivih ali gorljivih tekočin, kot je bencin, in ne uporabljajte v območjih, kjer so lahko prisotne.**
11. **Za polnjenje uporabljajte samo polnilnik, ki ga dobavlja proizvajalec.**
12. **Ne pobirajte ničesar, kar gori ali iz česar se vije dim, kot so cigarete, vžigalice ali vroč pepel.**
13. **Ne uporabljajte brez vrečke za prah in/ali nameščenih filtrov.**
14. **Akumulatorja ne polnite na prostem.**
15. **Orodje polnite samo s polnilnikom, ki ga je določil proizvajalec.** Polnilnik, ki je primeren za eno vrsto akumulatorskega sklopa, lahko pomeni nevarnost požara, če ga uporabljate z drugim akumulatorskim sklopom.
16. **Električno orodje uporabljajte le s posebej označenimi akumulatorskimi sklopi.** Uporaba drugih akumulatorskih sklopov lahko povzroči nevarnost telesnih poškodb in požara.

17. **Ko akumulatorskega sklopa ne uporabljate, ga ne hranite ob kovinskih predmetih, kot so sponke za papir, kovanci, ključi, žblji, vijaki ali drugi manjši kovinski predmeti, ki lahko povežejo oba terminala.**
18. **V neprimernih pogojih lahko iz akumulatorja uhaja tekočina; izogibajte se stiku. Če pride do nenamerne stika, sperite z vodo.**
19. **Ne uporabljajte akumulatorskega sklopa ali orodja, ki je poškodovano ali spremenjeno.** Delovanje poškodovanih ali spremenjenih akumulatorjev je nepredvidljivo in lahko povzroči požar, eksplozijo ali telesne poškodbe.
20. **Akumulatorskega sklopa in orodja ne izpostavljajte ognju ali previsoki temperaturi.** Izpostavljenost ognju ali temperaturam nad 130 °C lahko povzroči eksplozijo.
21. **Upošteвайте vsa navodila glede polnjenja in akumulatorskih baterij ali orodja ne polnite zunaj določenega temperaturnega obsega.** Nepravilno polnjenje ali polnjenje pri temperaturah, ki so zunaj določenega obsega, lahko poškoduje akumulator in poveča nevarnost požara.

SHRANITE TA NAVODILA.

DODATNA VARNOSTNA PRAVILA

Ta naprava je namenjena le za domačo uporabo.

1. **Pred uporabo pozorno preberite ta navodila za uporabo in navodila za uporabo polnilnika.**
2. **Ne pobirajte naslednjih materialov:**
 - vročega materiala, kot so prižgane cigarete ali iskre/kovinski prah, ki nastane zaradi brušenja/rezanja kovin
 - vnetljivih materialov, kot je bencin, razredčilo, kerozin ali barva
 - eksplozivnih materialov, npr. nitroglicerina
 - vnetljivih materialov, kot je aluminij, cink, magnezij, titan, fosfor ali celuloza
 - mokre zemlje, vode olja ipd.
 - trdih predmetov z ostrimi robovi, kot so lesni ostružki, kovine, kamni, steklo, žblji, bucike ali britvice
 - prahu, ki se strdi, kot je cement ali toner
 - prevodnega prahu, kot je kovina ali ogljik
 - finih delcev, kot je betonski prah
3. **Če opazite karkoli neobičajnega, takoj prenehajte uporabljati orodje.**
4. **Če vam čistilnik pade iz rok ali če z njim kam udarite, ga pred uporabo skrbno pregledajte, da preverite, ali je razpokan ali poškodovan.**
5. **Ne približujte ga pečicam ali drugim virom vročine.**
6. **Ne zamašite vhodne odprtine ali odprtin za prezračevanje.**

SHRANITE TA NAVODILA.

ZA VGRAJEN AKUMULATOR

1. Pred uporabo vgrajenega akumulatorja preberite vsa navodila in opozorilne oznake na (1) polnilniku akumulatorja, (2) akumulatorju in (3) izdelku, ki uporablja akumulator.
2. Ne razstavljajte vgrajenega akumulatorja.
3. Če se je čas delovanja občutno skrajšal, takoj prenehajte uporabljati orodje. V nasprotnem primeru lahko pride do pregretja, morebitnih opeklin in celo eksplozije.
4. Če pride elektrolit v stik z očmi, jih sperite s čisto vodo in takoj poiščite zdravniško pomoč. Posledica je lahko izguba vida.
5. Ne povzročite kratkega stika vgrajenega akumulatorja:
 - (1) Ne dotikajte se priključkov s kakršnim koli prevodnim materialom.
 - (2) Ne shranjujte vgrajenega akumulatorja v vsebniku z drugimi kovinskimi predmeti, kot so željni, kovanci itn.
 - (3) Vgrajenega akumulatorja ne izpostavljajte vodi ali dežju. Kratak stik akumulatorja lahko povzroči velik električni tok, pregrevanje, morebitne opeklino in celo okvaro.
6. Orodja in vgrajenega akumulatorja ne shranjujte in uporabljajte na mestih, kjer lahko temperatura doseže ali preseže 50 °C (122 °F).
7. Ne sežigajte vgrajenega akumulatorja, tudi če je hudo poškodovan ali v celoti izpraznjen. Vgrajeni akumulator lahko v ognju eksplodira.
8. Poskrbite, da akumulator ne bo izpostavljen padcem ali udarcem.
9. Ne uporabljajte poškodovanih vgrajenih akumulatorjev.
10. Priložene litij-ionske akumulatorske baterije ustrezajo zahtevam zakonodaje v zvezi z nevarnim blagom. Ko želite odstraniti akumulator, ga vzemite iz orodja in odložite med odpadke na varno mesto. Upoštevajte lokalne uredbe glede odlaganja akumulatorja.
11. Baterije uporabljajte le z izdelki, ki jih določi Makita.

SHRANITE TA NAVODILA.**Nasveti za ohranjanje največje zmogljivosti akumulatorja**

1. Preden se vgrajeni akumulator povsem izprazni, ga napolnite. Ko opazite, da ima orodje manjšo moč, vedno ustavite delovanje orodja in napolnite vgrajeni akumulator.
2. Nikoli ne polnite povsem napolnjenega vgrajenega akumulatorja. Pretirano polnjenje skrajšuje življenjsko dobo akumulatorja.
3. Vgrajeni akumulator polnite pri temperaturi okolja od 10 °C do 40 °C (50 °F – 104 °F). Pred polnjenjem počakajte, da se vroč vgrajeni akumulator ohladi.
4. Vgrajen akumulator napolnite enkrat vsakih šest mesecev, če orodja ne uporabljate dlje časa.

OPIS DELOVANJA

⚠️ POZOR: Pred vsako nastavitvijo ali pregledom delovanja orodja se prepričajte, ali je orodje izključeno.

Polnjenje vgrajenega akumulatorja

⚠️ POZOR: Uporabljajte le originalne baterije Makita. Če uporabljate neoriginalne baterije Makita ali baterije, ki so bile spremenjene, lahko pride do eksplozije baterije in posledično do požara, telesnih poškodb ali materialne škode. S takšno uporabo boste tudi razveljavili garancijo Makita za izdelek in polnilnik Makita.

⚠️ POZOR: Po polnjenju vedno odklopite vtič za polnjenje iz čistilnika.

⚠️ POZOR: Po izklopu naprave ne puščajte polnilnika v vtičnici. Majhen otrok lahko vtič pod napestjo da v usta in se poškoduje.

Ko prvič začnete uporabljati čistilnik ali če ga dlje časa niste uporabljali, ga napolnite. Priključite vtič za polnjenje v priključek za polnjenje, nato pa priključite polnilnik v vtičnico.

► **SI.1:** 1. Priključek za polnjenje

Lučka za moč akumulatorja zasveti in polnjenje se začne. Lučka po končanem polnjenju ugasne. Za več podrobnosti glejte navodila za uporabo polnilnika akumulatorja.

► **SI.2:** 1. Lučka za moč akumulatorja

OBVESTILO: Lučka za moč akumulatorja utripa in polnjenje akumulatorja ni mogoče, če je akumulator ali čistilnik izpostavljen skrajnim temperaturam.

OPOMBA: Čistilnika med polnjenjem ni mogoče upravljati. Za zagon čistilnika izklopite polnilnik z vira napajanja, odklopite vtič za polnjenje iz čistilnika in nato pritisnite gumb za vklop/spreminjanje hitrosti.

OPOMBA: Pod temi pogoji se bo akumulatorju kmalu iztekla njegova življenjska doba (ali je poškodovan/okvarjen). Polnilnik izklopite z vira napajanja in zamenjajte akumulator.

- Lučka za moč akumulatorja kmalu ugasne, ko se začne polnjenje čistilnika.
- Ko se akumulator popolnoma napolni, deluje čistilnik nekoliko manj časa kot polovico običajnega časa delovanja.

OPOMBA: Akumulator lahko napolnite do približno 500-krat. Časi ponovnega polnjenja se razlikujejo glede na pogoje, pod katerimi se akumulator polni in izprazni.

Delovanje stikala

⚠️ POZOR: Vedno izklopite čistilnik po vsaki uporabi, da preprečite poškodbe čistilnika in podaljšate življenjsko dobo akumulatorjev.

Za zagon čistilnika pritisnite gumb za vklop/spreminjanje hitrosti. Za izklop pritisnite gumb za izklop. Z gumbom za vklop/spreminjanje hitrosti lahko spremenite hitrost čistilnika v treh korakih.

S prvim pritiskom aktivirate način z visoko hitrostjo, z drugim pritiskom aktivirate način z največjo hitrostjo in s tretjim pritiskom aktivirate način z običajno hitrostjo. Vsak pritisk tega gumba izmenično ponovi cikel visoke/največje/običajne hitrosti.

- **SI.3:** 1. Gumb za vklop/spreminjanje hitrosti
2. Gumb za izklop

Lučka za moč akumulatorja

Ko je preostala zmogljivost akumulatorja nizka, utripa lučka za moč akumulatorja.

Ko je preostala zmogljivost akumulatorja še nižja, se čistilnik ustavi in lučka za moč akumulatorja zasveti za približno 10 sekund. Zdaj napolnite akumulator. Ko se akumulator preobremeni ali pregreje, se čistilnik ustavi in lučka za moč akumulatorja sveti približno 10 sekund. Ko lučka sveti, se čistilnik ne vklopi.

- **SI.4:** 1. Lučka za moč akumulatorja

OPOMBA: Čas, v katerem začne lučka za moč akumulatorja utripati ali svetiti, je odvisen od temperature na delovnem mestu in stanja akumulatorske baterije.

Prižiganje lučke

⚠️ POZOR: Ne glejte neposredno v lučko ali vir svetlobe.

Za vklop lučke pritisnite gumb za vklop/spreminjanje hitrosti. Za izklop lučke pritisnite gumb za izklop. Lučka se vklopi med zagonom čistilnika.

- **SI.5:** 1. Gumb za vklop/spreminjanje hitrosti
2. Gumb za izklop 3. Lučka

MONTAŽA

⚠️ POZOR: Pred vsakim posegom v napravo se prepričajte, da je naprava izklopljena.

Vrečka za prah in papirnati filter

Pred uporabo čistilnika namestite vrečko za prah ali papirnati filter.

Pri nameščanju vrečke za prah ali papirnatega filtra uporabite napravo za ustavljanje prahu.

Vrečko za prah lahko uporabite večkrat, če jo očistite. Papirnati filter je za enkratno uporabo. Ko je papirnati filter poln, ga zavržite, ne da bi ga izpraznil.

OBVESTILO: Preprečite vdor prahu v motor:

- Pred uporabo se prepričajte, da je vrečka za prah ali papirnati filter nameščen.
- Pri nameščanju vstavite napravo za ustavljanje prahu skupaj z vrečko za prah ali s papirnatim filtrom do konca v reže.
- Ne uporabljajte poškodovane ali raztrgane vrečke.

Zaradi raztrgane vrečke se lahko poškoduje motor.

OBVESTILO: Kadar nameščate papirnati filter, kartona ne prepognite pri odprtini.

OBVESTILO: Naprave za ustavljanje prahu nikoli ne zavržite, saj jo je treba večkrat uporabiti, ko uporabljate vrečko za prah ali papirnati filter.

OBVESTILO: Papirnati filter za čistilnik je pomembna komponenta za učinkovito delovanje čistilnika. Uporaba neoriginalnega papirnatega filtra lahko povzroči dim ali vžig.

OPOMBA: Če v čistilnik ne vstavite vrečke za prah ali papirnatega filtra, se sprednji pokrov ne bo zaprl do konca.

- **SI.6**

Nameščanje vrečke za prah

Pri nameščanju vrečke za prah uporabite napravo za ustavljanje prahu. Pazite, da ne boste pomotoma zamenjali zgornje in spodnje strani, saj sta različni.

- **SI.7:** 1. Zgornja stran naprave za ustavljanje prahu
2. Spodnja stran naprave za ustavljanje prahu

1. Vstavite izboklino vrečke za prah v spodnji utor naprave za ustavljanje prahu, kot je prikazano na sliki.

- **SI.8:** 1. Naprava za ustavljanje prahu 2. Spodnji utor 3. Vrečka za prah

2. Zgornja in spodnja stran vrečke za prah se ne razlikujeta. Izboklino lahko vstavite na katero koli stran v spodnji utor naprave za ustavljanje prahu.

- **SI.9:** 1. Spodnji utor

3. Okvir vrečke za prah mora prekrivati okvir naprave za ustavljanje prahu.

- **SI.10**

4. Napravo za ustavljanje prahu in vrečko za prah namestite skupaj v odprtino čistilnika v isti smeri, kot kaže puščica na napravi za ustavljanje prahu. Vstavite ju do konca v reže v odprtini čistilnika.

- **SI.11**

5. Vstavite platneni del vrečke za prah v čistilnik.

- **SI.12**

6. Do konca zaprite sprednji pokrov.

- **SI.13:** 1. Sprednji pokrov

Nameščanje papirnatega filtra

Tudi pri nameščanju papirnatega filtra uporabite napravo za ustavljanje prahu. Pazite, da ne boste pomotoma zamenjali zgornje in spodnje strani, saj sta različni.

- **SI.14:** 1. Zgornja stran naprave za ustavljanje prahu
2. Spodnja stran naprave za ustavljanje prahu

1. Odvijte vhodni del papirnatega filtra, preden ga namestite na napravo za ustavljanje prahu.

- **SI.15**

2. Vstavite izboklino papirnatega filtra v spodnji utor naprave za ustavljanje prahu, kot je prikazano na sliki.
▶ **SI.16:** 1. Naprava za ustavljanje prahu 2. Spodnji utor 3. Papirnati filter
3. Zgornja in spodnja stran papirnatega filtra se ne razlikujeta. Izboklino lahko vstavite na katero koli stran v spodnji utor naprave za ustavljanje prahu.
▶ **SI.17:** 1. Spodnji utor
4. Okvir papirnatega filtra mora prekrivati okvir naprave za ustavljanje prahu.
▶ **SI.18**
5. Napravo za ustavljanje prahu in papirnati filter namestite skupaj v odprtino čistilnika v isti smeri, kot kaže puščica na napravi za ustavljanje prahu. Vstavite ju do konca v reže v odprtini čistilnika.
▶ **SI.19**
6. Vstavite vsebnik papirnatega filtra v čistilnik.
▶ **SI.20**
7. Do konca zaprite sprednji pokrov.
▶ **SI.21:** 1. Sprednji pokrov

UPRAVLJANJE

⚠ POZOR: Ne približujte obraza zračniku med uporabo čistilnika. Tujki lahko povzročijo telesno poškodbo, če pri izpihovanju zaidejo v oči.

Nameščanje ali odstranjevanje nastavka za sesanje

⚠ POZOR: Po namestitvi nastavka preverite, ali je ustrezno nameščen. Če nastavek ni ustrezno nameščen, se lahko sname in povzroči telesne poškodbe.

⚠ POZOR: Pazite, da z roko ne udarite ob steno, ko odstranjujete nastavek.

Uporaba nastavka s funkcijo zaklepanja

Nastavek namestite tako, da ga vstavite v sesalni vhod sesalnika tako, da se zaskoči. Prepričajte se, da je nastavek zaklenjen.

▶ **SI.22:** 1. Sesalni vhod 2. Nastavek s funkcijo zaklepanja 3. Kavelj 4. Sprostilni gumb

OPOMBA: Ob namestitvi nastavka s funkcijo zaklepanja pazite, da poravnate sprostilni gumb s kavljem na nastavku. Če nista poravnana, se nastavek ne bo zaklenil in se lahko sname s čistilnika.

Za odstranitev nastavka ga vlecite in hkrati držite sprostilni gumb.

▶ **SI.23:** 1. Sprostilni gumb 2. Nastavek s funkcijo zaklepanja

Uporaba nastavka brez funkcije zaklepanja

⚠ POZOR: Nastavek brez funkcije zaklepanja namestite tako, da ga zavrtite in vstavite v smeri puščice, da bo med uporabo trdno pritrjen. Nastavek odstranite tako, da ga prav tako zavrtite in izvlecite v smeri puščice.

▶ **SI.24**

Čiščenje (sesanje)

Šoba

Priključite šobo za čiščenje miz, delovnih miz, pohištva itd. Namestitev šobe je enostavna.

▶ **SI.25:** 1. Šoba

Šoba + podaljšek (ravna cev)

Podaljšek se namesti med šobo in čistilnik. Na ta način priročno čistite tla v stoječem položaju.

▶ **SI.26:** 1. Ohišje čistilnika 2. Podaljšek 3. Šoba

Kotna šoba

Namestite kotno šobo za čiščenje kotov in špranj v avtomobilskem sedežu ali pohištvu.

▶ **SI.27:** 1. Kotna šoba 2. Ohišje čistilnika

Kotna šoba + podaljševalna palica (ravna cev)

To kombinacijo uporabite v tesnih prostorih, kamor se čistilnik sam ne prilega, ali na visokih mestih, ki jih težko dosežete.

▶ **SI.28:** 1. Kotna šoba 2. Podaljšek 3. Ohišje čistilnika

Čiščenje brez šobe

Brez šobe lahko sesate prašek in prah.

▶ **SI.29**

Za lažje sesanje prahu v stoječem položaju je čistilniku priložena pripravna podaljševalna palica.

▶ **SI.30:** 1. Podaljšek

Odstranjevanje prahu

⚠ POZOR: Izpraznite čistilnik, preden se preveč napolni, ali pa bo sesalna moč manjša.

⚠ POZOR: Pri zapiranju sprednjega pokrova bodite previdni, da si ne priščipnete prstov.

OBVESTILO: Naprave za ustavljanje prahu nikoli ne zavrzite, saj jo je treba uporabiti pri vsaki uporabi vrečke za prah ali papirnatega filtra.

OBVESTILO: Če v čistilnik ne vstavite vrečke za prah ali papirnatega filtra, se sprednji pokrov ne bo zaprl do konca. Sprednjega pokrova ne poskušajte zapreti na silo. S tem lahko namreč poškodujete ali zlomite čistilnik.

OBVESTILO: Pri odstranjevanju prahu očistite tudi prostor za vrečko za prah oz. papirnati filter. Zaradi preostalega prahu in umazanije v prostoru lahko namreč pride do zamašitve gobastega filtra ali poškodb motorja.

1. Pritisnite gumb, da odprete sprednji pokrov. Ko ga odprete toliko, da je slišen klik, bo pokrov ostal v tistem položaju.

▶ **SI.31:** 1. Sprednji pokrov 2. Gumb

2. Hkrati izvlecite oranžno napravo za ustavljanje prahu in vrečko za prah oz. papirnati filter.

▶ **SI.32:** 1. Naprava za ustavljanje prahu

3. Izvedite spodnje postopke glede na ustrezno vrsto zbiralnika prahu:

Če uporabljate vrečko za prah

Odstranite napravo za ustavljanje prahu in izpraznite vrečko za prah.

► **SI.33:** 1. Naprava za ustavljanje prahu 2. Vrečka za prah

Če uporabljate papirnati filter

Odstranite napravo za ustavljanje prahu in zavržite papirnati filter.

► **SI.34:** 1. Naprava za ustavljanje prahu 2. Papirnati filter

4. Vstavite vrečko za prah ali novi papirnati filter v čistilnik skupaj z napravo za ustavljanje prahu in zaprite sprednji pokrov.

OPOMBA: Zaradi zasnovane čistilnika se sprednji pokrov sname, če ga poskušate odpreti na silo pod kotom več kot 90°. Če se sprednji pokrov sname, ga namestite na spoj sprednjega pokrova.

► **SI.35:** 1. Sprednji pokrov 2. Spoj sprednjega pokrova

VZDRŽEVANJE

⚠ POZOR: Preden se lotite pregledovanja ali vzdrževanja, se vedno prepričajte, ali je naprava izklopljena.

VARNO in ZANESLJIVO delovanje tega izdelka bo zagotovljeno le, če boste popravila, vzdrževanje in nastavitve prepustili pooblaščenemu servisu za orodja Makita ali tovarniškemu osebju, ki vgrajuje izključno originalne nadomestne dele.

OBVESTILO: Nikoli ne uporabljajte bencina, razredčila, alkohola ali podobnega sredstva. V tem primeru se lahko orodje razbarva ali deformira oziroma lahko nastanejo razpoke.

Po uporabi

Med shranjevanjem ali polnjenjem čistilnika zaklenite glavo s šobami ter jo obesite na kavelj, ki je na voljo na tržišču.

► **SI.36**

⚠ POZOR: Če postavite čistilnik ob steno brez kakršne koli podpore, lahko pade in se poškoduje.

► **SI.37**

Čiščenje

Ohišje čistilnika

Občasno obrišite zunanost (ohišje) čistilnika s krpo, namočeno v milnico.

Očistite tudi sesalno odprtino, območje za namestitev vrečke za prah/papirnatega filtra in napravo za ustavljanje prahu.

► **SI.38**

Naprava za ustavljanje prahu

Obrišite prah z naprave za ustavljanje prahu.

Narahlo udarite gobasti del, da odstranite prah in umazanijo.

► **SI.39:** 1. Gobasti del

Vrečka za prah

Operite vrečko za prah v milnici, saj se moč sesalnika zmanjša, če je vrečka polna praha. Pred uporabo ga temeljito osušite. Nezasodnostno posušena vrečka lahko povzroči slabo sesanje in skrajša življenjsko dobo motorja.

► **SI.40**

OPOMBA: Papirnati filter je za enkratno uporabo.

Ko je gobasti filter zamašen s prahom, ga odstranite iz čistilnika in ga obrišite ali operite v vodi.

Odstranjevanje in nameščanje gobastega filtra

⚠ POZOR: Ko gobasti filter očistite, ga namestite v čistilnik. Če ste ga oprali v vodi, ga pred namestitvijo posušite. Nezasodnostno posušen gobasti filter lahko skrajša življenjsko dobo motorja.

Če želite odstraniti gobasti filter, najprej odstranite vrečko za prah ali papirnati filter, nato pa primate gobasti filter in ga izvlecite.

► **SI.41:** 1. Gobasti filter

Filter namestite tako, da celoten rob gobastega filtra pritisnete ob umaknjeni del znotraj območja za namestitev vrečke za prah/papirnatega filtra.

► **SI.42:** 1. Umaknjena stena

Čiščenje šob

(odvisno od države)

Ko ščetka šobe postane prašna, očistite prah z lepilnim trakom.

► **SI.43:** 1. Ščetka

Stenski nastavek za brezžični čistilnik

Dodatna oprema

OPOMBA: Vijak za namestitev držala ni priložen. Pripravite vijak, ki ustreza materialu, v katerega boste vrtali.

Stenski nastavek za brezžični čistilnik pritrdite na trdo leseno steno, tram ali steber, kamor ga lahko trdno pritrdite. Preden obesite čistilnik, se vedno prepričajte, da je stenski nastavek za brezžični čistilnik trdno pritrjen.

► **SI.44:** 1. Stenski nastavek za brezžični čistilnik 2. Vtič

⚠ POZOR: Pri obešanju čistilnika na stenski nastavek ne bodite grobi in nanj ne obešajte nobenih drugih naprav razen čistilnika.

OPOMBA: Kadar čistilnika ne polnite, lahko vtič shranite na stenski nastavek za brezžični čistilnik, kot je prikazano na sliki.

Odpravljanje težav

Preden zahtevate popravilo, preverite naslednje:

Težava	Kaj je treba preveriti	Odpravljanje težave
Majhna moč sesanja	Ali je v vrečki za prah ali papirnatem filtru preveč prahu?	Izpraznite vrečko za prah ali papirnati filter.
	Ali je vrečka za prah zamašena?	Odstranite prah iz vrečke ali jo operite.
	Ali je papirnati filter zamašen?	Zamenjajte papirnati filter.
	Ali je akumulatorska baterija prazna?	Napolnite akumulatorsko baterijo.
Čistilnik ne deluje	Ali je akumulatorska baterija prazna?	Napolnite akumulatorsko baterijo.
Pokrov posode za prah se ne zapre	Ali ste namestili vrečko za prah ali papirnati filter?	Namestite vrečko za prah ali papirnati filter.

OBVESTILO: Ne poskušajte sami popravljati čistilnika.

Odstranjevanje čistilnika

V ta čistilnik je vgrajen litij-ionski akumulator. Vedno ga odstranite, preden odstranite čistilnik.

Odstranjevanje vgrajenega akumulatorja

⚠ POZOR: Ne dotikajte se priključkov s kakršnim koli prevodnim materialom.

⚠ POZOR: Ne shranjujte akumulatorske enote v vsebniku z drugimi kovinskimi predmeti, kot so žbljji, kovanci itn.

⚠ POZOR: Akumulatorske enote ne izpostavljajte vodi ali dežju.

⚠ POZOR: Ne razstavljajte ali spreminjajte akumulatorske enote.

⚠ POZOR: Med odstranjevanjem akumulatorja mora biti čistilnik izklopljen iz električnega omrežja.

1. Za odstranitev zadnjega pokrova le-tega potisnite v smeri puščice.
▶ **SI.45:** 1. Zadnji pokrov
2. Izvlecite vgrajen akumulator do polovice. Odklopite vodilne žice iz akumulatorja tako, da akumulator rahlo potisnete nazaj in hkrati pritisnete priključek v smeri puščice, kot je prikazano na sliki.
▶ **SI.46:** 1. Priključek 2. Vodilne žice
3. Nato v celoti izvlecite akumulatorsko enoto.
▶ **SI.47:** 1. Akumulatorska enota
4. Odložite odstranjeno akumulatorsko enoto v kartonasto škatlo, da ne pride do kratkega stika.

Nameščanje nadomestnega akumulatorja

Za nameščanje nadomestnega akumulatorja izvedite postopek odstranjevanja v obratnem vrstnem redu.

⚠ POZOR: Preden namestite zadnji pokrov nazaj na prvotno mesto, speljite vodilno žico tako, da je v celoti shranjena znotraj čistilnika. V nasprotnem primeru lahko pride do poškodb vodilne žice.

▶ **SI.48**

Ko namestite akumulator (glejte poglavje „TEHNIČNI PODATKI“), ga pred uporabo orodja napolnite.

DODATNA OPREMA

⚠ POZOR: Ta dodatna oprema ali priključki so predvideni za uporabo z napravo Makita, opisano v teh navodilih za uporabo. Pri uporabi druge dodatne opreme ali nastavkov lahko pride do telesnih poškodb. Dodatno opremo ali nastavke uporabljajte le v skladu z njihovim namenom.

Za več informacij o dodatni opremi se obrnite na najbližji pooblaščen servis za orodja Makita.

- Podaljšek (ravna cev)
- Šoba
- Šoba za preprogo
- Krtača za police
- Kotna šoba
- Okrogla krtača
- Gibljiva cev
- Papirnati filter
- Stenski nastavek za brezžični čistilnik
- Nadomestni akumulator
- Prosta šoba
- Nastavek za sedeže
- Nastavek za špranje
- Nastavek za ciklonski sesalnik

OPOMBA: Nekateri predmeti na seznamu so lahko napravi priloženi kot standardna dodatna oprema. Lahko se razlikujejo od države do države.

PARALAJMËRIM

Kjo pajisje mund të përdoret nga fëmijë të moshës 8 vjeçare e lart dhe persona me aftësi të kufizuara fizike, shqisore ose mendore, ose që u mungon përvoja dhe njohuria, nëse janë nën mbikëqyrje apo kanë marrë udhëzime në lidhje me përdorimin e sigurt të pajisjes dhe kuptimin e rreziqeve të mundshme. Fëmijët nuk duhet të luajnë me pajisjen. Pastrimi dhe mirëmbajtja nga përdoruesi nuk duhet të kryhet nga fëmijë pa mbikëqyrje.

SPECIFIKIMET

Modeli:		CL114FD
Kapaciteti	me qese pluhuri	500 ml
	me filtër letre	330 ml
Përdorimi i vazhdueshëm (me bateri BL1020V)	3 (Regjimi me shpejtësi maksimale)	Rreth 10 min
	2 (Regjimi me shpejtësi të lartë)	Rreth 18 min
	1 (Regjimi me shpejtësi normale)	Rreth 55 min
Gjatësia totale	Trupi i fshesës	458 mm
	Me tubin zgjatues dhe grykëzën	983 mm
Pesha neto		1,1 kg
Tensioni nominal		D.C. 10,8 V - 12 V maks.

- Për shkak të programit tonë të vazhdueshëm të kërkim-zhvillimit, specifikimet që jepen këtu mund të ndryshojnë pa dhënë njoftim.
- Specifikimet mund të ndryshojnë nga njëri shtet në tjetrin.
- Pesha nuk përfshin aksesorët.

Kutia e aplikueshme e baterisë dhe karikuesi

Kutia e baterisë	Karikuesi i baterisë	Koha e karikimit (orë)
BL1020V	DC1002	2,0

- Koha e karikimit varion sipas temperaturës (10 °C (50 °F) - 40 °C (104 °F)) në të cilën karikohet bateria dhe nga gjendja e kutisë së baterisë, si p.sh. një kuti baterie që është e re ose që nuk është përdorur për një kohë të gjatë.

⚠ PARALAJMËRIM: Përdorni vetëm kutitë e baterisë dhe karikuesit e listuar më lart. Përdorimi i karikuesve dhe kutive të tjera të baterisë mund të shkaktojë lëndim dhe/ose zjarr.

Simbolet

Pjesët në vazhdim tregojnë simbolet që mund të përdoren për pajisjen. Sigurohuni që merrni vesh kuptimin e tyre përpara përdorimit.



Lexoni manualin e përdorimit.



Njësia e shkëputshme e furnizimit



Ni-MH
Li-ion

Vetëm për vendet e BE-së
Mos i hidhni pajisjet elektrike ose paketën e baterisë së bashku me mbeturinat e shtëpisë! Në përputhje me Direktivën Evropiane për mbetjet nga pajisjet elektrike dhe elektronike, për bateritë dhe akumulatorët dhe mbetjet nga bateritë dhe akumulatorët dhe implementimin e tyre në përputhje me legjislacionin kombëtar, pajisjet elektrike, bateritë dhe paketën(at) e baterisë që kanë arritur fundin e jetëgjatësisë së tyre duhet të mblihen veçmas dhe të dorëzohen në një objekt riciklimi që nuk dëmton mjedisin.

Përdorimi i synuar

Pajisja është synuar për thithjen e pluhurit të thatë.

PARALAJMËRIME SIGURIE

Paralajmërimi për sigurinë e pastruesit me bateri

⚠ PARALAJMËRIM: E RËNDËSISHME
LEXONI ME KUJDES të gjitha paralajmërimet dhe udhëzimet PARA PËRDORIMIT. Moszbatimi i paralajmërimeve dhe udhëzimeve mund të rezultojë në goditje elektrike, zjarr dhe/ose lëndim serioz.

1. Mos e ekspozoni në kohë me shi. Ruajeni në ambiente të brendshme.
2. Mos lejoni të përdoret si lodër. Nevojitet vëmendje e kujdesshme kur përdoret nga ose në afërsi të fëmijëve.
3. Të përdoret vetëm sipas udhëzimeve të këtij manuali. Përdorni vetëm pjesët shtesë të rekomanduara nga kompania prodhuese.
4. Mos përdorni bateri të dëmtuar. Nëse pajisja nuk funksionon siç duhet, është përplasur, dëmtuar, lënë në ambiente të jashtme ose ka rënë në ujë, dërgojeni në një qendër shërbimi.
5. Mos e përdorni pajisjen me duar të lagura.
6. Mos vendosni objekte në pjesët e hapura. Mos e përdorni me pjesët e hapura të bllokuara; mbajeni të pastër nga pluhurat, fije, flokët dhe çfarëdo gjë që mund të pengojë rrjedhjen e ajrit.
7. Mbajini flokët, veshjet e lirshme, gishtat dhe të gjitha pjesët e trupit larg nga pjesët e hapura dhe të lëvizshme.
8. Fikni të gjitha kontrollet para se të hiqni baterinë.
9. Tregoni kujdes maksimal kur pastroni në shkallë.
10. Mos e përdorni për të mbledhur lëngje të ndezshme ose të djegshme si benzina apo mos e përdorni në zona ku mund të gjenden ato.
11. Për karikim, përdorni vetëm karikuesin e dhënë nga kompania prodhuese.
12. Mos mblidhni ndonjë gjë që digjet apo është e ndezur, si cigaret, shkrepset apo hiri i nxehtë.
13. Mos e përdorni pa vendosur qesen e pluhurit dhe/ose filtrat në vend.
14. Mos e karikoni baterinë në ambiente të jashtme.
15. Karikojeni vetëm me karikuesin e specifikuar nga prodhuesi. Karikuesi që është i përshtatshëm për një lloj pakete baterie mund të shkaktojë rrezik zjarri kur përdoret me një paketë tjetër baterie.
16. Përdorini veglat elektrike vetëm me paketat e baterisë të përcaktuara në mënyrë specifike. Përdorimi i paketave të tjera të baterisë mund të paraqesë rrezik lëndimi dhe zjarri.

17. Kur paketa e baterisë nuk përdoret, mbajeni larg objekteve të tjera metalike, si kapëset e letrave, monedhat, çelësat, gozhdët, vidat ose objektet e tjera të vogla metalike që mund të bëjnë lidhje nga njëri terminal tek tjetri.
18. Në kushte sforcimi mund të dalë lëng nga bateria; shmangni kontaktin. Nëse aksidentalisht ndodh kontakt, shpëlani me ujë.
19. Mos e përdorni një kuti baterie apo vegël që është e dëmtuar ose e modifikuar. Bateritë e dëmtuara ose të modifikuara mund të shfaqin sjellje të paparashikueshme që rezultojnë në zjarr, shpërthime apo rrezik plagosjeje.
20. Mos e ekspozoni kutinë e baterisë ose veglën në zjarr ose ndaj temperaturave ekstreme. Ekspozimi ndaj zjarrit ose temperaturave mbi 130 °C mund të shkaktojë shpërthim.
21. Ndiqni të gjitha udhëzimet e karikimit dhe mos e karikoni kutinë e baterisë ose veglën jashtë kufijve të temperaturës të specifikuar të udhëzimit. Karikimi i pasaktë ose në temperatura jashtë kufijve të specifikuar mund të dëmtojë baterinë dhe të rrisë rrezikun e zjarrit.

RUAJINI KËTO UDHËZIME.

RREGULLA TË TJERA SIGURIE

Kjo pajisje synohet për përdorim shtëpiak.

1. Lexoni me kujdes këtë manual përdorimi dhe manualin e përdorimit të karikuesit para përdorimit.
2. Mos i mblidhni materialet në vijim:
 - Sendet si cigaret e ndezura apo pluhurin e shkëndijave/metaleve të krijuar nga gërryerja/prerja e metaleve
 - Materialet e djegshme si gazolina, holluesi, vajguri apo boja
 - Materialet shpërthyes si nitroglicerina
 - Materialet e ndezshme si alumini, zinku, magnezi, titani, fosfori apo celuloidi
 - Baltë të njomë, ujë, vaj ose sende të ngjashme
 - Sende të ngurta me cepa të mprehtë si ashkia druri, metale, gurë, xhama, gozhdë, gjilpëra ose brisqe
 - Pluhur që mpikset si çimento apo toner
 - Pluhur përcjellës si metal apo karbon
 - Grimca të imëta si pluhur betoniVepri me të tilla mund të shkaktojë zjarr, lëndim dhe/ose dëmtim të pronës.
3. Ndaloni menjëherë punën nëse vini re diçka jonormale.
4. Nëse pastruesi ju rrëzohet ose goditet, kontrollojeni me kujdes për plasaritje ose dëmtim para përdorimit.
5. Mos e afroni me sobat apo burime të tjera nxehtësie.
6. Mos e bllokoni vrimën e hyrjes së ajrit apo vrimat e ventilimit.

RUAJINI KËTO UDHËZIME.

UDHËZIME TË RËNDËSISHME PËR SIGURINË

PËR BATERINË E BRENDSHME

1. Përpara se ta përdorni baterinë e integruar, lexoni të gjitha udhëzimet dhe shënimet e masave parandaluese të (1) karikuesi i baterisë, (2) bateria dhe (3) produkti që përdor baterinë.
2. Mos e çmontoni baterinë e integruar.
3. Nëse koha e përdorimit është shkurtuar jashtë mase, ndalojeni punën menjëherë. Kjo mund të rezultojë në rrezik mbinxehjeje, djegie të mundshme, madje edhe shpërthim.
4. Nëse ju futen elektrolitë në sy, shpëlajini sytë me ujë të pastër dhe kërkoni ndihmë mjekësore menjëherë. Kjo gjë mund të rezultojë në humbje të shikimit.
5. Mos bëni qark të shkurtër me baterinë e integruar:
 - (1) Mos i prekni terminalet me materiale përcjellëse.
 - (2) Shmangni ruajtjen e baterisë së integruar në një kuti me objekte të tjera metalike, si gozhdë, monedha etj.
 - (3) Mos e ekspozoni baterinë e integruar në ujë ose shi. Krijimi i qarkut të shkurtër të bateria mund të shkaktojë qarkullim të madh të rrymës elektrike, mbinxehjeje, djegie të mundshme dhe madje prishje.
6. Mos e ruani dhe përdorni pajisjen dhe baterinë e integruar në vende ku temperatura mund të arrijë ose tejkalojë 50 °C (122 °F).
7. Mos e digjni baterinë e integruar, edhe nëse është shumë e dëmtuar ose konsumuar plotësisht. Bateria e integruar mund të shpërthejë në zjarr.
8. Bëni kujdes që të mos e rrëzoni ose ta godisni baterinë.
9. Mos përdorni bateri të integruar të dëmtuar.
10. Bateritë e përfshira me jone litiumi u nënshtrohen kërkesave të legjisllacionit për mallrat e rrezikshme. Kur hidhni baterinë, hiqeni nga vegla dhe hidhni në një vend të sigurt. Zbatoni rregulloret lokale rreth hedhjes së baterisë.
11. Përdorini bateritë vetëm me produktet e specifikuar nga Makita.

RUAJINI KËTO UDHËZIME.

Këshilla për të ruajtur jetëgjatësinë maksimale të baterisë

1. Karikojeni baterinë e integruar përpara se të shkarkohet krejtësisht. Gjithmonë ndaloni punën me pajisjen dhe karikojeni baterinë kur vëreni ulje të fuqisë së pajisjes.
2. Asnjëherë mos e rikarikoni një bateri të integruar që është plotësisht e karikuar. Karikimi i tepërt shkurton jetëgjatësinë e baterisë.
3. Karikojeni baterinë e integruar me temperaturën e dhomës në 10 °C - 40 °C (50 °F - 104 °F). Një bateri të integruar të nxehtë lëreni që të ftohet përpara se ta karikoni.
4. Karikojeni baterinë e integruar një herë çdo gjashtë muaj nëse nuk e përdorni veglën për një periudhë të gjatë kohe.

PËRSHKRIMI I PUNËS

▲KUJDES: Gjithmonë sigurohuni që pajisja është fikur përpara se ta rregulloni apo kontrolloni funksionin në pajisje.

Karikimi i baterisë së integruar

▲KUJDES: Përdorni vetëm bateri origjinale Makita. Përdorimi i baterive jo-origjinale Makita ose baterive që mund të jenë modifikuar, mund të rezultojë në marrjen flakë të baterisë, lëndime personale apo dëmtime. Kjo do të anulojë gjithashtu edhe garancinë e Makita për produktin e Makita dhe karikuesin.

▲KUJDES: Gjithmonë hiqeni spinën e karikimit nga pastruesi pas karikimit.

▲KUJDES: Mos e lini karikuesin në rrymën e rrjetit pas shkëputjes së pajisjes. Fëmijët e vegjël mund ta fusin në gojë spinën me energji dhe mund të shkaktohen lëndime.

Karikojeni pastruesin kur e përdorni për herë të parë ose nëse ka mbetur pa karikuar për një kohë të gjatë. Lidhni spinën e karikimit me bashkuesin e karikimit, pastaj futeni karikuesin në prizën e rrymës elektrike.

► Fig.1: 1. Bashkuesi i karikimit

Llamba e rrymës së baterisë ndizet dhe fillon karikimi. Ndriçimi fiket pasi karikimi të ketë përfunduar. Për më shumë detaje, referojuni manualit të përdorimit të karikuesit të baterisë.

► Fig.2: 1. Llamba e rrymës së baterisë

VINI RE: Llambushka e rrymës së baterisë pulson dhe bateria nuk mund të rikarikohet nëse bateria ose fshesa ekspozohen ndaj temperaturave ekstreme.

SHËNIM: Fshesa nuk mund të kontrollohet ndërkohë që rikarikohet. Për të nisur fshesën, hiqni karikuesin nga burimi i rrymës, shkëputni prizën e karikimit nga fshesa, dhe më pas shtypni butonin "ON" (ndezur)/butonin e ndërrimit të shpejtësisë.

SHËNIM: Nën kushtet e mëposhtme, bateria është duke arritur fundin e jetëgjatësisë së saj (ose është dëmtuar/ka keqfunksionim). Shkëputni karikuesin nga burimi i energjisë, më pas vendoseni në vend baterinë.

- Llambushka e rrymës së baterisë fiket pak pasi filloni të rikarikoni fshesën.
- Fshesa punon vetëm për një periudhë kohe më të shkurtër se gjysma e kohës së përdorimit pasi bateria është karikuar plotësisht.

SHËNIM: Bateria mund të rikarikohet deri në rreth 500 herë. Koha e karikimit varion sipas kushteve nën të cilat bateria është karikuar dhe shkarkuar.

Veprimi i ndërrimit

▲KUJDES: Gjithmonë fiken fshesën pas përdorimit për të parandaluar dëmtimin e fshesës dhe për të zgjatur jetëgjatësinë e shërbimit të baterive.

Për të ndezur pastruesin, thjesht shtypni butonin "ON" (ndezur)/butonin e ndryshimit të shpejtësisë. Për ta fikur, shtypni butonin "OFF" (fikur). Mund ta ndryshoni shpejtësinë e pastruesit me tre hapa duke shtypur butonin "ON" (ndezur)/butonin e ndërrimit të shpejtësisë. Shtypja e parë e këtij butoni është për regjimin me shpejtësi të lartë, shtypja e dytë për regjimin me shpejtësi maksimale dhe shtypja e tretë për shpejtësinë normale. Çdo shtypje e këtij butoni përsërit ciklin e shpejtësisë së lartë/maksimale/të ulët në mënyrë të alternuar.

► **Fig.3:** 1. Butoni "ON" (ndezur)/butoni i ndërrimit të shpejtësisë 2. Butoni "OFF" (fikur)

Llamba e rrymës së baterisë

Kur kapaciteti i mbetur në bateri është i ulët, llamba e rrymës së baterisë pulson.

Kur kapaciteti i mbetur në bateri është shumë i ulët, fshesa ndalon dhe llamba e rrymës së baterisë ndizet për afërsisht 10 sekonda. Në këtë moment, karikoni baterinë. Gjithashtu, kur bateria mbingarkohet ose mbinxehet, fshesa ndalon dhe llamba e rrymës së baterisë ndizet për afërsisht 10 sekonda. Fshesa nuk aktivizohet gjatë kohës që llamba është e ndezur.

► **Fig.4:** 1. Llamba e rrymës së baterisë

SHËNIM: Koha në të cilën llamba e rrymës së baterisë fillon të pulsojë ose të ndizet varet nga temperatura në vendin e punës dhe gjendja e baterisë.

Ndezja e llambës

▲KUJDES: Mos e shikoni direkt dritën ose burimin e dritës.

Për të ndezur llambën, shtypni butonin "ON" (ndezur)/butonin e ndryshimit të shpejtësisë. Shtypni butonin "OFF" (fikur) për të fikur llambën. Gjatë aktivizimit të fshesës, llamba ndizet.

► **Fig.5:** 1. Butoni "ON" (ndezur)/butoni i ndërrimit të shpejtësisë 2. Butoni "OFF" (fikur) 3. Llamba

MONTIMI

▲KUJDES: Sigurohuni gjithnjë që pajisja të jetë e fikur përpara se të bëni ndonjë punë mbi pajisjen.

Qesja e pluhurit dhe filtri prej letre

Vendosni qesen e pluhurit ose filtrin prej letre para se ta përdorni pastruesin.

Përdorni ndaluesin e pluhurit kur vendosni qesen e letres ose filtrin prej letre.

Qesja e pluhurit mund të përdoret shumë herë nëpërmjet pastrimit. Filtri prej letre është me një përdorim. Flakeni të gjithë filtrin prej letre pa e boshatisur kur të jetë mbushur.

VINI RE: Për të parandaluar hyrjen e pluhurit në motor:

- Sigurohuni që qesja e pluhurit ose filtri prej letre të instalohet përpara përdorimit.
- Fusni ndaluesin e pluhurit së bashku me qesen prej letre ose filtrin prej letre deri në fund në vrimat kur e vendosni.
- Mos përdorni qese të prishura ose të grisura.

Ndryshe motori mund të prishet.

VINI RE: Mos e palosni kartonin te pjesa e hapur kur vendosni filtrin prej letre.

VINI RE: Kurrë mos e flakni ndaluesin e pluhurit pasi duhet të përdoret vazhdimisht kurdoherë që përdoret qesja e pluhurit ose filtri prej letre.

VINI RE: Filtri prej letre për fshesën është një pjesë përbërëse e rëndësishme për mirëmbajtjen e performancës së fshesës. Përdorimi i filtrave të tjerë prej letre përveç atyre origjinalë mund të shkaktojë tym ose zjarr.

SHËNIM: Kur qesja e pluhurit ose filtri prej letre nuk është i instaluar në fshesë, kapaku i përparmë nuk mbyllet plotësisht.

► **Fig.6**

Vendosja e qeses së pluhurit

Përdorni ndaluesin e pluhurit kur të vendosni qesen e pluhurit. Kini kujdes të mos ngatërroni pjesën e sipërme nga pjesa e poshtme pasi kanë ndryshim nga njëri-tjetri.

► **Fig.7:** 1. Ana e sipërme e ndaluesit të pluhurit
2. Ana e poshtme e ndaluesit të pluhurit

1. Futni pjesën e dalë të qeses së pluhurit në kanal in e poshtëm të ndaluesit të pluhurit siç tregohet në figurë.

► **Fig.8:** 1. Ndaluesi i pluhurit 2. Kanali i poshtëm
3. Qesja e pluhurit

2. Nuk ka dallim ndërmjet pjesës së sipërme dhe të poshtme të qeses së pluhurit. Mund të fusni pjesën e dalë të çdo ane në kanal in e poshtëm të ndaluesit të pluhurit.

► **Fig.9:** 1. Kanali i poshtëm

3. Mbivendosni kornizën e ndaluesit të pluhurit me atë të qeses së pluhurit.

► **Fig.10**

4. Vendosni ndaluesin e pluhurit dhe qesen e pluhurit së bashku në zgavrën e pastrimit në të njëjtin drejtim me shigjetën mbi ndaluesin e pluhurit. Futni deri në fund të foleve të zgavrës së pastrimit.

► **Fig.11**

5. Vendosni pjesën prej pëlhere të qeses së pluhurit brenda fshesës.

► **Fig.12**

6. Mbylleni plotësisht kapakun e përparmë.

► **Fig.13:** 1. Kapaku i përparmë

Instalimi i filtrit prej letre

Përdorni edhe ndaluesin e pluhurit kur të vendosni filtrin prej letre. Kini kujdes të mos ngatërroni pjesën e sipërme nga pjesa e poshtme pasi kanë ndryshim nga njëri-tjetri.

► **Fig.14:** 1. Ana e sipërme e ndaluesit të pluhurit
2. Ana e poshtme e ndaluesit të pluhurit

1. Çmbështillni grykën e filtrit prej letre para se ta vendosni mbi ndaluesin e pluhurit.

► Fig.15

2. Futni pjesën e dalë të filtrit prej letre në kanalën e poshtëm të ndaluesit të pluhurit siç tregohet në figurë.

► Fig.16: 1. Ndaluesi i pluhurit 2. Kanali i poshtëm 3. Filtri prej letre

3. Nuk ka dallim ndërmjet pjesës së sipërme dhe të poshtme të filtrit prej letre. Mund të fusni pjesën e dalë të çdo ane në kanalën e poshtëm të ndaluesit të pluhurit.

► Fig.17: 1. Kanali i poshtëm

4. Mbivendoseni kornizën e ndaluesit të pluhurit me atë të filtrit prej letre.

► Fig.18

5. Vendoseni ndaluesin e pluhurit dhe filtrin prej letre së bashku në zgavrën e pastrimit në të njëjtin drejtim me shigjetën mbi ndaluesin e pluhurit. Futini deri në fund të foleve të zgavrës së pastrimit.

► Fig.19

6. Vendoseni pjesën mbajtëse të filtrit prej letre brenda fshesës.

► Fig.20

7. Mbylleni plotësisht kapakun e përparmë.

► Fig.21: 1. Kapaku i përparmë

PËRDORIMI

▲KUJDES: Mos e vendosni fytyrën pranë grilave të ajrimit kur përdorni fshesën. Nëse fryni objekte të huaja në sy, kjo mund të çojë në lëndime personale.

Vendosja ose heqja e aksesorit të fshesës

▲KUJDES: Pas montimit të një aksesor, kontrollojeni nëse është montuar mirë. Nëse aksessori nuk është montuar mirë, ai mund të dalë dhe të shkaktojë lëndim të personit.

▲KUJDES: Tregoni kujdes të mos godisni dorën në mur etj. kur hiqni aksessorin.

Kur përdorni aksessorin me funksionin e kyçjes

Për të montuar një aksesor, futeni në fole në e thithjes së fshesës derisa të kërcasë. Sigurohuni që aksessori të jetë i bllokuar.

► Fig.22: 1. Foleja e thithjes 2. Aksessori me funksionin e kyçjes 3. Grepit 4. Butoni i lëshimit

SHËNIM: Kur montoni aksessorin me funksionin e kyçjes, sigurohuni që të bashkërendisni butonin e lëshimit me grepin në aksesor. Nëse nuk janë bashkërenditur, aksessori nuk do të bllokohet dhe mund të dalë nga fshesa.

Për të hequr aksessorin, tërhiqeni ndërkohë që shtypni butonin e lëshimit.

► Fig.23: 1. Butoni i lëshimit 2. Aksessori me funksionin e kyçjes

Kur përdorni aksessorin pa funksionin e kyçjes

▲KUJDES: Për të instaluar një aksesor pa funksionin e kyçjes, rrotullojeni dhe futeni në drejtimin e shigjetës për të garantuar lidhje të sigurt gjatë përdorimit. Për të hequr aksessorin, rrotullojeni dhe nxirreni gjithashtu në drejtim të shigjetës.

► Fig.24

Pastrimi (Thithja)

Hundëza

Bashkoni hundëzën për të pastruar tavolina, tryeza, mobilie etj. Hundëza vendoset lehtësisht.

► Fig.25: 1. Hundëza

Hundëza + Shkopi zgjatues (Tubi i drejtë)

Shkopi zgjatues vendoset ndërmjet hundëzës dhe pastruesit. Kjo vendosje është e volitshme për pastrimin e dyshemesë duke qëndruar në këmbë.

► Fig.26: 1. Trupi i pastruesit 2. Tubi zgjatues 3. Hundëza

Hundëza me kënd

Vendosni hundëzën me kënd për pastrimin e këndeve dhe qoshet e një ndenjeseje makine apo mobilieje.

► Fig.27: 1. Hundëza me kënd 2. Trupi i pastruesit

Hundëza me kënd + Tubi zgjatues (Tubi i drejtë)

Në kënde të ngushta ku nuk mund të futet pastruesi ose në vende të vështira për t'u arritur, përdorni këtë mënyrë.

► Fig.28: 1. Hundëza me kënd 2. Tubi zgjatues 3. Trupi i pastruesit

Pastrimi pa hundëz

Mund të pastroni pluhurin pa përdorur hundëzën.

► Fig.29

Për kapjen e pluhurit në dysheme nga pozicioni në këmbë, është praktike që të bashkoni tubin zgjatues me fshesën.

► Fig.30: 1. Tubi zgjatues

Flakja e pluhurit

▲KUJDES: Boshatiseni pastruesin para se të mbushet plot ose nëse dobësohet fuqia e thithjes.

▲KUJDES: Kur mbyllni kapakun e përparmë, kini kujdes të mos ju ngecin gishtat.

VINI RE: Kurrë mos e flakni ndaluesin e pluhurit pasi duhet të përdoret kurdoherë që përdoret qesja e pluhurit ose filtri i pluhurit.

VINI RE: Kur qesja e pluhurit/filtri prej letre nuk është brenda në fshesë, kapaku i përpamë nuk mbyllet plotësisht. Mos e mbyllni me forcë kapakun e përpamë. Kjo mund të rezultojë në deformim ose thyerje të fshesës.

VINI RE: Kur hidhni pluhurin, pastroni gjithashtu dhomën për qesen e pluhurit/filtrin prej letre. Pluhuri dhe papastëritë e mbetura në dhomë mund të shkaktojnë bllokimin e filtrit prej sfungjeri ose dëmtimin e motorit.

1. Shtypni butonin për të hapur kapakun e përpamë. Hapja e tij derisa të dëgjohet një klikim mundëson ndalesë pozitive në atë pozicion.
► **Fig.31:** 1. Kapaku i përpamë 2. Butoni

2. Nxirreni ndaluesin e pluhurit me ngjyrë portokalli dhe qesen e pluhurit/filtrin prej letre në të njëjtën kohë.
► **Fig.32:** 1. Ndaluesi i pluhurit

3. Kryeni procedurat e mëposhtme në varësi të llojit të kutisë së pluhurit:

Kur përdorni qesen e pluhurit

Hiqeni ndaluesin e pluhurit dhe boshatiseni qesen e pluhurit.
► **Fig.33:** 1. Ndaluesi i pluhurit 2. Qesja e pluhurit

Kur përdorni filtrin prej letre

Hiqeni ndaluesin e pluhurit dhe hidhni filtrin prej letre.
► **Fig.34:** 1. Ndaluesi i pluhurit 2. Filtri prej letre

4. Bashkoni qesen e pluhurit/filtrin e ri prej letre dhe ndaluesin e pluhurit në fshesë dhe mbyllni kapakun e përpamë.

SHËNIM: Pastruesi është ndërtuar në mënyrë të tillë që kapaku i përpamë shkëputet kur ai tërhiqet me forcë përtej një këndi 90°. Nëse shkëputet kapaku i përpamë, futeni te nyja e kapakut të përpamë.

► **Fig.35:** 1. Kapaku i përpamë 2. Nyja e kapakut të përpamë

MIRËMBAJTJA

▲KUJDES: Sigurohuni gjithnjë që pajisja të jetë fikur dhe të jetë hequr nga korrenti përpara se të kryeni inspektimin apo mirëmbajtjen.

Për të ruajtur SIGURINË dhe QËNDRUESHMËRINË, riparimet dhe çdo mirëmbajtje apo rregullim tjetër duhen kryer nga qendrat e autorizuar të shërbimit ose të shërbimit të fabrikës të Makita-s, duke përdorur gjithnjë pjesë këmbimi të Makita-s.

VINI RE: Mos përdorni kurrë benzinë, benzinë pastrimi, hollues, alkool dhe të ngjashme. Mund të shkaktoni çngjyrosje, deformime ose krisje.

Pas përdorimit

Kur e magazinoni ose e karikoni fshesën, kyçeni kokën e hundëzës dhe vareni nga një grep të cilin mund ta gjeni në treg.
► **Fig.36**

▲KUJDES: Mbështetja e fshesës në mur pa mbështetëse tjetër mund të bëjë që fshesa të bjerë dhe të dëmtohet.

► **Fig.37**

Pastrimi

Trupi i pastruesit

Herë pas here fshijeni pjesën e jashtme (trupin e pastruesit) të pastruesit duke përdorur një leckë të njomur me ujë me sapun. Gjithashtu pastroni edhe grykën e thithjes, zonën e montimit të qeses së pluhurit/filtrit prej letre dhe ndaluesin e pluhurit.

► **Fig.38**

Ndaluesi i pluhurit

Fshini pluhurin nga ndaluesi i pluhurit. Hiqni pluhurin dhe papastëritë nga pjesa prej sfungjeri duke e goditur lehtë.

► **Fig.39:** 1. Pjesa prej sfungjeri

Qesja e pluhurit

Lajeni qeskën e pluhurit me ujë dhe sapun kur bllokohet me pluhur dhe ulet fuqia e fshesës. Thajeni plotësisht para përdorimit. Një qeskë e patharë mirë mund të shkaktojë thithje të dobët dhe të shkurtojë jetëgjatësinë e shërbimit të motorit.

► **Fig.40**

SHËNIM: Filtri prej letre është me një përdorim.

Kur bllokohet filtri sfungjer me pluhur, hiqeni nga fshesa dhe fshijeni ose lajeni me ujë.

Heqja dhe instalimi i filtrit sfungjer

▲KUJDES: Pas pastrimit të filtrit sfungjer, sigurohuni që ta instaloni mbi pastrues. Nëse e lani me ujë, thajeni para se ta vendosni përsëri. Një filter sfungjer i patharë mjaftueshëm mund të shkurtojë jetëgjatësinë e shërbimit të motorit.

Për të hequr filtrin sfungjer, hiqni qesen e pluhurit ose filtrin prej letre dhe nxirreni filtrin sfungjer jashtë.

► **Fig.41:** 1. Filtri sfungjer

Për të instaluar filtrin, shtypni gjithë cepin e filtrit sfungjer drejt murit të lugët brenda zonës së montimit të qeses së pluhurit/filtrit prej letre.

► **Fig.42:** 1. Muri i lugët

Pastrimi i hundëzës

(sipas shtetit)

Kur furça e hundëzës bëhet me pluhur, pastroni pluhurin me shirit ngjitës.

► **Fig.43:** 1. Furça

Kllapa e murit për pastruesin me bateri

Aksesorë opsionalë

SHËNIM: Nuk përfshihet vida për të montuar mbajtësin. Përgatitni një vidë që përshtatet për materialin në të cilin do të vidhohet.

Bashkoni kllapën e murit për pastruesin me bateri në një mur me dru të fortë, tra ose kolonë, ku kllapa e murit për pastruesin me bateri mund të fiksohet mirë. Gjithmonë sigurohuni që kllapa e murit për pastruesin me bateri të jetë fiksur mirë përpara se të varni pastruesin.

► **Fig.44:** 1. Kllapa e murit për pastruesin me bateri
2. Priza

▲KUJDES: Mos e varni pastruesin në kllapën e murit me dhunë ose mos varni pajisje të tjera përveç pastruesit.

SHËNIM: Kur nuk e karikoni fshesën, priza mund të ruhet në kllapën e murit për fshesën me bateri siç ilustrohet.

Zgjidhja e problemeve

Përpara se të kërkonti riparime, kontrolloni pikat e mëposhtme.

Simptoma	Fusha që duhet hetuar	Metoda e rregullimit
Fuqi e ulët thithëse	A është mbushur plot qesja e pluhurit apo filtri prej letre?	Zbrazi qesen e pluhurit ose filtrin prej letre.
	A është bllokuar qesja e pluhurit?	Hiqjani pluhurin ose lani qesen e pluhurit.
	A është bllokuar filtri prej letre?	Zëvendësojeni filtrin prej letre.
	Mos është mbaruar kutia e baterisë?	Karikoni kutinë e baterisë.
Nuk punon	Mos është mbaruar kutia e baterisë?	Karikoni kutinë e baterisë.
Kapaku i kutisë së pluhurit nuk mbyllet	A është e vendosur qesja e pluhurit apo filtri prej letre?	Vendosni qesen e pluhurit ose filtrin prej letre.

VINI RE: Mos u përpuni ta riparoni vetë pastruesin.

Flakja e pastruesit

Në pastrues ndodhet një bateri e brendshme me jone litiumi. Gjithmonë hiqeni para se të flakni pastruesin.

Heqja e baterisë së integruar

▲KUJDES: Mos i prekni terminalet me materiale përcjellëse.

▲KUJDES: Shmangni ruajtjen e bllokut të baterisë në kuti me objekte të tjera metalike, si gozhdë, monedha etj.

▲KUJDES: Mos e ekspozoni bllokun e baterisë në ujë ose shi.

▲KUJDES: Mos e çmontoni ose modifikoni bllokun e baterisë.

▲KUJDES: Pastruesi duhet të jetë i shkëputur nga rryma e rrejtit kur hiqni baterinë.

1. Për të hequr kapakun e pasmë, shtyjeni në drejtim të shigjetës.

► **Fig.45:** 1. Kapaku i pasmë

2. Rrëshqiteni baterinë e integruar deri në gjysmën e saj. Hiqni telat përcjellës nga bateria duke e rrëshqitur lehtë prapa baterinë ndërsa shtypni bashkuesin në drejtim të shigjetës siç tregohet në figurë.

► **Fig.46:** 1. Bashkuesi 2. Telat lidhës

3. Pastaj rrëshqitni jashtë plotësisht njësinë e baterisë.

► **Fig.47:** 1. Njësia e baterisë

4. Vendosni bllokun e hequr të baterisë në një kuti kartoni që të mos krijohë qark të shkurtër.

Montimi i baterisë zëvendësuese

Për të instaluar baterinë zëvendësuese, ndiqni procedurën e anasjelltë të heqjes.

▲KUJDES: Drejtojeni përcjellësin kryesor në mënyrë që të ruhet plotësisht brenda pastruesit përpara se të vendosni sërish kapakun e pasmë në pozicionin fillestar. Në të kundërt, kjo mund të dëmtojë përcjellësin kryesor.

► Fig.48

Pas instalimit të baterisë (shikoni "SPECIFIKIMET"), karikojeni baterinë përpara përdorimit.

AKSESORË OPSIONALË

▲KUJDES: Këta aksesorë ose shtojca rekomandohen për përdorim me pajisjen Makita të specifikuar në këtë manual. Përdorimi i aksesorëve apo i shtojcave të tjera mund të përbëjë rrezik lëndimi ndaj njerëzve. Aksesorët ose shtojcat përdorini vetëm për qëllimin e tyre të përcaktuar.

Nëse keni nevojë për më shumë të dhëna në lidhje me aksesorët, pyesni qendrën vendore të shërbimit të Makita-s.

- Shkopi zgjatues (Tubi i drejtë)
- Hundëza
- Hundëza për tapete
- Furça e raftëve
- Hundëza me kënd
- Furça e rumbullakët
- Tubi fleksibël
- Filtri prej letre
- Kllapa e murit për pastruesin me bateri
- Bateria zëvendësuese
- Grykëza e lirë
- Hundëza e folesë
- Hundëza për qoshet
- Aksesori Cyclone

SHËNIM: Disa artikuj të listës mund të përfshihen në paketën e pajisjes si aksesorë standardë. Ato mund të ndryshojnë nga njëri shtet në tjetrin.

ПРЕДУПРЕЖДЕНИЕ

Този уред може да се използва от деца на възраст от 8 или повече години и от хора с намалени физически, сетивни или умствени възможности, или без опит и знания, ако те са под надзор или са били обучени относно безопасното използване на уреда и разбират възможните опасности. Децата не трябва да си играят с уреда. Почистването и техническото обслужване от потребителя не трябва да се извършват от деца без надзор.

СПЕЦИФИКАЦИИ

Модел:		CL114FD
Обем	с торба за прах	500 мл
	с хартиен филтър	330 мл
Непрекъсната употреба (с акумулаторна батерия BL1020V)	3 (режим на максимални обороти)	Прибл. 10 мин.
	2 (режим на високи обороти)	Прибл. 18 мин.
	1 (режим на нормални обороти)	Прибл. 55 мин.
Обща дължина	Корпус на прахосмукачката	458 мм
	С удължителна тръба и накрайник	983 мм
Нето тегло		1,1 кг
Номинално напрежение		Постоянно напрежение 10,8 V – 12 V макс.

- Поради нашата непрекъсната научно-развойна дейност посочените тук спецификации могат да бъдат променени без предизвестие.
- Спецификациите може да са различни в различните държави.
- Теглото не включва аксесоари.

Приложима акумулаторна батерия и зарядно устройство

Акумулаторна батерия	Зарядно устройство за батерии	Време за зареждане (часове)
BL1020V	DC1002	2,0

- Времето за зареждане варира според температурата (10°C (50°F)–40°C (104°F)), при която се зарежда акумулаторната батерия, и състоянието на акумулаторната батерия, например, акумулаторна батерия, която е нова или която не е била използвана за продължителен период от време.

▲ ПРЕДУПРЕЖДЕНИЕ: Използвайте само посочените по-горе акумулаторни батерии и зарядни устройства. Използването на други акумулаторни батерии и зарядни устройства може да причини нараняване и/или пожар.

Символи

По-долу са описани символите, които може да се използват за тази машина. Задължително е да се запознаете с техните значения, преди да пристъпите към работа.



Прочетете ръководството за експлоатация.



Демонтирац се захранвац блок



Само за страни от ЕС

Не изхвърляйте електрооборудване или акумулаторни батерии с битовите отпадъци! При спазване на Европейската директива относно отпадъците от електрическо и електронно оборудване и директивата относно батерии и акумулатори и отпадъци от батерии и акумулатори и приложението им съгласно националното законодателство, бракуваното електрическо оборудване и батерии и пакет(и) батерии трябва да се събират отделно и да се връщат в места за рециклиране, съобразени с изискванията за опазване на околната среда.

Предназначение

Уредът е предназначен за събиране на сух прах.

ПРЕДУПРЕЖДЕНИЯ ЗА БЕЗОПАСНОСТ

Предупреждения за безопасност за акумулаторната прахосмукачка

⚠ ПРЕДУПРЕЖДЕНИЕ: ВАЖНО, ПРОЧЕТЕТЕ ВНИМАТЕЛНО всички предупреждения за безопасност и всички инструкции **ПРЕДИ РАБОТА**. При небрежване на предупрежденията и инструкциите има опасност от токов удар, пожар и/или тежко нараняване.

1. Пазете машината от дъжд. Съхранявайте я вътре в помещение.
2. Не разрешавайте да се използва като играчка. Изисква се повишено внимание, когато се използва от или покрай деца.
3. Да се използва само в съответствие с описанието в ръководството. Да се използват само аксесоари, препоръчани от производителя.
4. Да не се използва с повредени акумулаторни батерии. Ако уредът не работи нормално, бил е изпуснат, повреден, оставен на открито или е паднал в близост до вода, изправете го в център за обслужване.
5. Не пипайте уреда с мокри ръце.
6. Не поставяйте никакви предмети в отворите. Не го използвайте, когато има запушени отвори; пазете го от прах, конци, коса и всичко, което може да пречи на въздушния поток.
7. Дръжте косата си, свободното облекло, пръстите и останалите части от тялото далече от отвори и движещи се части.
8. Изключете всички органи за управление, преди да извадите акумулаторната батерия.
9. При почистване на стълби бъдете особено внимателни.
10. Не използвайте за събиране на възпламеними или горими течности като бензин или в места, където може да има такива материали.
11. За зареждане използвайте само зарядното устройство, доставено от производителя.
12. Не събирайте неща, които горят или пушат като цигари, кибритени клечки или гореща пепел.
13. Не използвайте без поставена торба за прах и/или филтри.
14. Не зареждайте акумулаторната батерия на открито.
15. Презареждайте само със зарядното устройство, което е посочено от производителя. Зарядно устройство, което е подходящо за едни акумулаторни батерии, може да създаде риск от пожар, ако се използва с други акумулаторни батерии.
16. Използвайте електрическите инструменти само с акумулаторни батерии, конкретно предназначени за тях. Използването на други акумулаторни батерии може да създаде риск от нараняване и пожар.

17. Когато акумулаторният пакет не се използва, дръжте го далеч от други метални предмети като кламери, монети, ключове, пирони, винтове или други дребни метални предмети, които могат да дадат накъсо двете клемми.
18. При грубо манипулиране е възможно изхвърляне на течност от батериите; избягвайте контакт с тях. При случайно докосване изплакнете с вода.
19. Не използвайте батерията или инструмента, който е повреден или променен. Повредените или променените батерии могат да проявяват непредвидимо поведение, което може да доведе до пожар, експлозия или опасност от нараняване.
20. Не излагайте батерията или инструмента на огън или прекомерна температура. Излагането на огън или температура над 130°C може да доведе до експлозия.
21. Спазвайте всички инструкции за зареждане и не зареждайте батерията или инструмента извън диапазона на температура, посочен в инструкциите. Неправилното зареждане или при температура извън посочения диапазон може да доведе до повреда на батерията и да повиши опасността от пожар.

ЗАПАЗЕТЕ НАСТОЯЩИТЕ ИНСТРУКЦИИ.

ДОПЪЛНИТЕЛНИ ПРАВИЛА ЗА БЕЗОПАСНОСТ

Този уред е за домакински цели.

1. Преди работа прочетете ръководството за експлоатация и ръководството за зарядното устройство.
2. Не събирайте с машината следните материали:
 - Горещи предмети като запалени цигари или искри/стърготини от метал, получавани при шлифование/рязане на метал
 - Запалими материали като бензин, разредител, бензол, керосин или боя
 - Взривни материали като нитроглицерин
 - Възпламеними материали като алуминий, цинк, магнезий, титан, фосфор или целулоид
 - Мокра кал, вода, масло и подобни
 - Твърди парчета с остри ъгли като стружки, метали, камъни, стъкло,
 - пирони, карфици и ножчета за бръснене
 - Буци от втвърден прах – цимент или тонер
 - Токопроводящ прах като от метал или въглерод
 - Фини частици като прах от бетонТакива действия могат да предизвикат пожар, нараняване и/или щети на имущество.
3. Незабавно прекратете работа, ако забележите нещо необичайно.
4. Ако изпуснете или ударите прахосмукачката, внимателно я проверете за пукнатини или повреди, преди да работите с нея.
5. Не я използвайте близо до печки или други източници на топлина.
6. Не запушвайте отворите за засмукване или за вентилация.

ЗАПАЗЕТЕ НАСТОЯЩИТЕ ИНСТРУКЦИИ.

ЗА ВГРАДЕНА БАТЕРИЯ

1. Преди да използвате вградена акумулаторна батерия, прочетете всички инструкции и предупредителни маркировки на (1) зарядното устройство за акумулатори, (2) на акумулаторите и (3) на използващото акумулаторите изделие.
2. Не разглобявайте вградената акумулаторна батерия.
3. Ако времето за работа намалее много, веднага спрете да работите. Това може да доведе до риск от прегряване, възможни изгаряния и даже до експлозии.
4. Ако в очите Ви попадне електролит, изплакнете ги с чиста вода и веднага потърсете лекарска помощ. Това може да доведе до загуба на зрението Ви.
5. Не давайте накъсо вградената акумулаторна батерия:
 - (1) Не докосвайте клемите с проводими материали.
 - (2) Избягвайте съхраняването на вградената акумулаторна батерия в контейнер с други метални предмети, като например пирони, монети и др.
 - (3) Не излагайте вградената акумулаторна батерия на вода или дъжд. Окисляването на акумулаторна батерия може да доведе до протичане на много силен ток, до прегряване, до възможни изгаряния и даже до разпадане на батерията.
6. Не съхранявайте и не използвайте инструмента и вградената акумулаторна батерия на места, където температурата може да достигне или надмине 50°C (122°F).
7. Не изгаряйте вградената акумулаторна батерия даже и ако тя е сериозно повредена или е напълно износена. Вградената акумулаторна батерия може да експлодира в огън.
8. Внимавайте да не изпускате или удряте акумулаторната батерия.
9. Не използвайте повредена вградена батерия.
10. Съдържащите се литиево-йонни акумулаторни батерии са обект на изискванията на законодателството за опасни стоки. При изхвърляне на акумулаторната батерия я извадете от инструмента и я изхвърлете на подходящо място. Спазвайте местните разпоредби за изхвърляне на акумулаторни батерии.
11. Използвайте батериите само с продуктите, определени от Makita.

ЗАПАЗЕТЕ НАСТОЯЩИТЕ ИНСТРУКЦИИ.

Съвети за поддържане на максимално дълъг живот на акумулаторните батерии

1. Зареждайте вградената акумулаторна батерия, преди тя да се е разредила напълно. Когато забележите, че енергията за инструмента намалява, винаги спирайте работата с инструмента и заредете вградената акумулаторна батерия.
2. Никога не презареждайте напълно заредена вградена акумулаторна батерия. Презареждането скъсява експлоатационния живот на батерията.
3. Зареждайте вградената акумулаторна батерия при стайна температура от 10°C – 40°C (50°F – 104°F). Оставете вградената акумулаторна батерия да се охлади, преди да я заредите.
4. Зареждайте вградената акумулаторна батерия веднъж на всеки шест месеца, ако не използвате инструмента продължително време.

ОПИСАНИЕ НА ФУНКЦИИТЕ

⚠ВНИМАНИЕ: Преди да регулирате или проверявате работата на уреда, задължително проверете дали той е изключен.

Зареждане на вградената акумулаторна батерия

⚠ВНИМАНИЕ: Използвайте само оригинални акумулаторни батерии на Makita. При използване на различни от акумулаторните батерии на Makita или стари акумулаторни батерии може да се получи пръскане на акумулаторната батерия, което да доведе до пожар, нараняване или повреда. Това също ще анулира гаранцията на Makita за продукта и зарядното устройство Makita.

⚠ВНИМАНИЕ: След зареждане винаги изваждайте щепсела за зареждане от прахосмукачката.

⚠ВНИМАНИЕ: Не оставяйте зарядното устройство включено в мрежата след изключване на уреда. Малки деца може да поставят щепсела в устата си и да получат нараняване.

Зареждайте прахосмукачката, когато я използвате за първи път или когато не е зареждана дълго време. Свържете щепсела за зареждане към конектора за зареждане, след това включете към хранващата буса в зарядното устройство.

► **Фиг.1:** 1. Конектор за зареждане

Лампата за заряд на батерията светва и зареждането започва. Лампата изгасва след приключване на зареждането. За повече подробности вижте ръководството на зарядното устройство.

► **Фиг.2:** 1. Лампа на храняването на батерията

БЕЛЕЖКА: Лампата за заряд на батерията мига и акумулаторната батерия не може да се зарежда, ако тя или прахосмукачката са изложени на много високи или много ниски температури.

ЗАБЕЛЕЖКА: Прахосмукачката не може да се управлява, докато се зарежда. За да стартирате прахосмукачката, изключете зарядното устройство от захранващия източник, изключете буската за зареждане от прахосмукачката и след това натиснете бутона за промяна на скоростта/ВКЛ.

ЗАБЕЛЕЖКА: Акумулаторната батерия е към края на експлоатационния си срок (или е повредена/неизправна) при описаните по-долу състояния. Изключете зарядното устройство от захранващия източник, след което сменете акумулаторната батерия.

- Лампата за заряд на батерията изгасва скоро след началото на зареждане на прахосмукачката.
- След пълно зареждане на акумулаторната батерия прахосмукачката работи само за период, по-малък от половината от нормалното време на работа.

ЗАБЕЛЕЖКА: Акумулаторната батерия може да бъде презареждана до приблизително 500 пъти. Броят презареждания е различен и зависи от условията, при които акумулаторната батерия е била зареждана и разреждана.

Включване

ВНИМАНИЕ: Винаги изключвайте прахосмукачката след всяко използване, за да предотвратите повреждането ѝ и за да удължите срока на работа на акумулаторните батерии.

За да стартирате прахосмукачката, просто натиснете бутона за промяна на скоростта/ВКЛ. За изключване натиснете бутона за ИЗКЛ. Можете да промените скоростта на прахосмукачката в три стъпки, като натиснете бутона за промяна на скоростта/ВКЛ. Първото натискане на този бутон е за режим на високи обороти, второто натискане е за максимални обороти, а третото натискане е за нормални обороти. При всяко натискане на този бутон цикълът високи/максимални/нормални обороти се повтаря поредно.

► **Фиг.3:** 1. Бутон за промяна на скоростта/ВКЛ.
2. Бутон за ИЗКЛ.

Лампа на захранването на батерията

Когато оставащият капацитет на акумулаторната батерия спадне, лампата за заряда на батерията мига. Когато оставащият капацитет на акумулаторната батерия стане много нисък, прахосмукачката спира и лампата за заряда на батерията светва за около 10 секунди. Тогава трябва да заредите батерията. Също така, когато батерията се претовари или прегрее, прахосмукачката спира и лампата за заряда на батерията светва за около 10 секунди. Прахосмукачката не може да се задейства, когато лампата свети.

► **Фиг.4:** 1. Лампа на захранването на батерията

ЗАБЕЛЕЖКА: Моментът, в който лампата за заряда на батерията започне да мига или светва, зависи от температурата на работното място и състоянието на батерията.

Включване на лампата

ВНИМАНИЕ: Не гледайте директно в светлинния източник.

За да включите лампата, натиснете бутона за промяна на скоростта/ВКЛ. Натиснете бутона за ИЗКЛ., за да изгасите лампата. По време на задействане на прахосмукачката, лампата светва.

- **Фиг.5:** 1. Бутон за промяна на скоростта/ВКЛ.
2. Бутон за ИЗКЛ. 3. Лампа

СГЛОБЯВАНЕ

ВНИМАНИЕ: Преди да извършвате каквато и да е работа по уреда, задължително проверявайте дали той е изключен.

Торба за прах или хартиен филтър

Преди да използвате прахосмукачката, поставете торба за прах или хартиен филтър. Използвайте прахоуловителя, когато поставяте торба за прах или хартиения филтър. Торбата за прах може да се използва за многократна употреба след почистване. Хартиеният филтър се изхвърля след употреба. След като се напълни, изхвърляйте целия хартиен филтър, без да го изпразвате.

БЕЛЕЖКА: За да предотвратите навлизането на прах в мотора:

- Уверете се, че торбата за прах и хартиения филтър са поставени преди употреба.
- Поставете прахоуловителя заедно с торбата за прах или хартиения филтър напълно в прорезите, когато ги монтирате.
- Не използвайте повредена или скъсана торба.

В противен случай моторът може да се счупи.

БЕЛЕЖКА: При поставяне на хартиения филтър не прегъвайте картоната при входната му част.

БЕЛЕЖКА: Никога не изхвърляйте прахоуловителя, защото той трябва да се използва многократно винаги при използване на торбата за прах или хартиения филтър.

БЕЛЕЖКА: Хартиеният филтър за прахосмукачката е важна част за поддържане на ефективното ѝ функциониране. Използването на различен от оригинален хартиен филтър може да доведе до пушек или възпламеняване.

ЗАБЕЛЕЖКА: Ако торбата за прах не е поставена в прахосмукачката, предният капак няма да се затваря напълно.

► **Фиг.6**

Поставяне на торба за прах

Използвайте прахоуловителя, когато поставяте торбата за прах. Внимавайте да не сбъркате и да размените горната и долната страна, защото те са различни.

- **Фиг.7:** 1. Горна страна на прахоуловителя
2. Долна страна на прахоуловителя

1. Поставете издадената част на торбата за прах в долния канал на прахоуловителя, както е показано на фигурата.

- **Фиг.8:** 1. Прахоуловител 2. Долен канал 3. Торба за прах

2. Няма разлика между горната и долната страна на торбата за прах. Можете да поставите издадената ѝ част от която и да било страна в долния канал на прахоуловителя.

- **Фиг.9:** 1. Долен канал

3. Припокрийте рамката на прахоуловителя с тази на торбата за прах.

- **Фиг.10**

4. Поставете прахоуловителя заедно с торбата за прах във вътрешното пространство на прахосмукачката в същата посока на стрелката като на прахоуловителя. Поставете ги напълно в прорезите във вътрешното пространство на прахосмукачката.

- **Фиг.11**

5. Поставете платнената част на торбата за прах в прахосмукачката.

- **Фиг.12**

6. Затворете напълно предния капак.

- **Фиг.13:** 1. Преден капак

Поставяне на хартиения филтър

Използвайте прахоуловителя и когато поставяте хартиения филтър. Внимавайте да не сбъркате и да размените горната и долната страна, защото те са различни.

- **Фиг.14:** 1. Горна страна на прахоуловителя
2. Долна страна на прахоуловителя

1. Развийте входната част на хартиения филтър, преди да го сложите към прахоуловителя.

- **Фиг.15**

2. Поставете издадената част на хартиения филтър в долния канал на прахоуловителя, както е показано на фигурата.

- **Фиг.16:** 1. Прахоуловител 2. Долен канал
3. Хартиен филтър

3. Няма разлика между горната и долната страна на хартиения филтър. Можете да поставите издадената ѝ част от която и да било страна в долния канал на прахоуловителя.

- **Фиг.17:** 1. Долен канал

4. Припокрийте рамката на прахоуловителя с тази на хартиения филтър.

- **Фиг.18**

5. Поставете прахоуловителя заедно с хартиения филтър във вътрешното пространство на прахосмукачката в същата посока по стрелката като на прахоуловителя. Поставете ги напълно в прорезите във вътрешното пространство на прахосмукачката.

- **Фиг.19**

6. Поставете частта на съда на хартиения филтър в прахосмукачката.

- **Фиг.20**

7. Затворете напълно предния капак.

- **Фиг.21:** 1. Преден капак

Експлоатация

▲ВНИМАНИЕ: Лицето ви не трябва да попада в близост до вентилационния отвор, когато работите с прахосмукачката. Ако при издухването в очите попаднат чужди предмети, това може да доведе до нараняване.

Поставяне или демониране на накрайника на прахосмукачката

▲ВНИМАНИЕ: След монтиране на принадлежност проверете дали е надеждно закрепена. Ако принадлежността е монтирана неправилно, тя може да излезе и да причини нараняване.

▲ВНИМАНИЕ: Бъдете внимателни да не ударите ръката си в стената и др., когато демонтирате принадлежността.

Когато се използва приставка със заключваща функция

За да монтирате приставка, поставете я в смукателния отвор на прахосмукачката така, че да шракне. Уверете се, че приставката е заключена.

- **Фиг.22:** 1. Смукателен отвор 2. Приставка със заключваща функция 3. Фиксатор 4. Освобождаващ бутон

ЗАБЕЛЕЖКА: Когато монтирате приставката със заключваща функция, не забравяйте да подравните освобождаващия бутон с фиксатора на приставката. Ако не са подравнени, приставката няма да се заключи и може да излезе от прахосмукачката.

За да демонтирате приставката, дръпнете я, като едновременно с това натискате освобождаващия бутон.

- **Фиг.23:** 1. Освобождаващ бутон 2. Приставка със заключваща функция

Когато се използва приставка без заключваща функция

▲ВНИМАНИЕ: За да монтирате приставка без заключваща функция, завъртете я и я пхнете по посоката на стрелката, за да се гарантира стабилна връзка по време на работа. За да отстраните приставката, завъртете я и я извадете по посоката на стрелката.

- **Фиг.24**

Чистене (засмукване)

Накрайник

Поставете накрайника за почистване на маси, бюра, мебели и т.н. Този накрайник се поставя лесно.

► **Фиг.25:** 1. Накрайник

Накрайник + Удължител (права тръба)

Удължителят пасва между накрайника и самата прахосмукачка. Тази конфигурация е удобна за почистване на подове от изправено положение.

► **Фиг.26:** 1. Тяло на прахосмукачката
2. Удължителна тръба 3. Накрайник

Ъглов накрайник

Поставяйте ъгловия накрайник за почистване на ъгли и тесни места на седалки на автомобил или мебели.

► **Фиг.27:** 1. Ъглов накрайник 2. Тяло на прахосмукачката

Ъглов накрайник + удължителна тръба (права тръба)

Използвайте тази конфигурация в тесни места, където самата прахосмукачка не влиза, или във високи труднодостъпни места.

► **Фиг.28:** 1. Ъглов накрайник 2. Удължителна тръба 3. Тяло на прахосмукачката

Чистене без накрайник

Можете да събирате прах и прахообразни материали без накрайник.

► **Фиг.29**

При стандартна позиция за почистване на прах по пода е удобно да монтирате удължителната тръба към прахосмукачката.

► **Фиг.30:** 1. Удължителна тръба

Изхвърляне на праха

⚠ВНИМАНИЕ: Изпразвайте прахосмукачката, преди да се препълни или да отслабне силата на засмукване.

⚠ВНИМАНИЕ: При затваряне на предния капак внимавайте да не прищипете пръстите си.

БЕЛЕЖКА: Никога не изхвърляйте прахоуловителя, защото той трябва да се използва винаги при използване на торбата за прах или хартиения филтър.

БЕЛЕЖКА: Ако торбата за прах/хартиения филтър не е монтиран/а в прахосмукачката, предният капак няма да се затваря напълно. Не натискайте, за да затворите предния капак. Това може да доведе до деформиране или счупване на прахосмукачката.

БЕЛЕЖКА: При изхвърляне на праха почистите също и зоната за торбата за прах/хартиения филтър. Остатъчните прах и замърсявания могат да причинят запущване на филтъра-гъба или повреда на двигателя.

1. Натиснете бутона, за да отворите предния капак. Отворете го, докато се чуе щракване, което позволява спиране в това положение.

► **Фиг.31:** 1. Преден капак 2. Бутон

2. Издърпайте едновременно оранжевия прахоуловител заедно с торбата за прах/хартиения филтър.

► **Фиг.32:** 1. Прахоуловител

3. Изпълнявайте процедурите, дадени по-долу, в зависимост от типа на контейнера за прах:

Когато използвате торбата за прах

Демонтирайте прахоуловителя и изпразнете торбата за прах.

► **Фиг.33:** 1. Прахоуловител 2. Торба за прах

Когато използвате хартиения филтър

Демонтирайте прахоуловителя и изхвърлете хартиения филтър.

► **Фиг.34:** 1. Прахоуловител 2. Хартиен филтър

4. Поставете торбата за прах/новия хартиен филтър и прахоуловителя заедно в прахосмукачката и затворете предния капак.

ЗАБЕЛЕЖКА: Прахосмукачката е произведена по такъв начин, че предният капак се изважда, когато се опитате да отворите предния капак със сила при ъгъл от повече от 90°. Ако предният капак се извади, поставете го на мястото му в пантата на предния капак.

► **Фиг.35:** 1. Преден капак 2. Панта на предния капак

ПОДДРЪЖКА

⚠ВНИМАНИЕ: Преди да проверявате или извършвате поддръжка на уреда, винаги се уверявайте, че той е изключен.

За да се поддържа БЕЗОПАСНОСТТА и НАДЕЖНОСТТА на продукта, ремонтите, поддръжката или регулирането трябва да се извършват от упълномощен сервиз или от фабрични сервизни центрове на Makita, като винаги трябва да се използват резервни части от Makita.

БЕЛЕЖКА: Не използвайте бензин, нафта, разреждател, спирт и др. подобни. Това може да причини обезцветяване, деформация или пукнатини.

След работа

Когато съхранявате или зареждате прахосмукачката, блокирайте главата на дюзата и я окачете на обикновена кука, която се предлага на пазара.

► **Фиг.36**

⚠ВНИМАНИЕ: Ако прахосмукачката бъде поставена срещу стена без друга опора, прахосмукачката може да падне и да се повреди.

► **Фиг.37**

Почистване

Корпус на прахосмукачката

Периодично избърсвайте външно прахосмукачката (тялото на прахосмукачката) с кърпа, овлажнена със сапунена вода.

Почиствайте също и отвора за засмукването, монтажната зона на торбата за прах/хартиения филтър и прахоуловителя.

► **Фиг.38**

Прахоуловител

Избършете праха от прахоуловителя.

Отстранете праха и замърсяванията върху гъбестата част, като леко я изтупате.

► **Фиг.39:** 1. Гъбеста част

Торба за прах

Измивайте торбата за прах със сапунена вода, ако се задръсти с прах и мощността на прахосмукачката намалее. Преди работа го подсушавайте грижливо. Недостатъчно суха торба може да доведе слабо засмукване и да съкрати експлоатационния живот на мотора.

► **Фиг.40**

ЗАБЕЛЕЖКА: Хартиеният филтър се изхвърля след употреба.

Когато филтърът-гъба се задръсти с прах, го демонтирайте от прахосмукачката и го избършете или измийте във вода.

Изваждане и поставяне на филтър-гъба

⚠ВНИМАНИЕ: След почистване на филтър-гъба непременно го върнете в прахосмукачката. Ако е бил измит във вода, преди да го поставите, трябва да го изсушите. Недостатъчно сух филтър-гъба може да намали експлоатационния живот на мотора.

За да демонтирате филтър-гъба, извадете торбата за прах или хартиения филтър и го стиснете, за да извадите филтър-гъба.

► **Фиг.41:** 1. Филтър-гъба

За да монтирате филтър-гъба, натиснете целия ръб на филтър-гъба към отделението вътре в монтажната зона на торбата за прах/хартиения филтър.

► **Фиг.42:** 1. Отделение

Почистване на дюзата

(зависи от държавата)

Когато четката на дюзата събере прах, почистете праха с лепяща лента.

► **Фиг.43:** 1. Четка

Стенна поставка за акумулаторна прахосмукачка

Допълнителни аксесоари

ЗАБЕЛЕЖКА: Винтът за монтиране на държача не е включен в комплекта. Подгответе винт, подходящ за материала, в който ще се завинтва.

Закрепете стенната поставка за акумулаторна прахосмукачка към стена от твърдо дърво, греда или колона, където поставката може да бъде монтирана стабилно. Преди да окачите акумулаторната прахосмукачка, винаги се уверявайте, че стенната й поставка е здраво закрепена.

► **Фиг.44:** 1. Стенна поставка за акумулаторна прахосмукачка 2. Щекер

⚠ВНИМАНИЕ: Не окачвайте със сила прахосмукачката на поставката и не окачвайте там други уреди.

ЗАБЕЛЕЖКА: Когато не зареждате прахосмукачката, щекерът може да се прибере в стенната поставка за акумулаторна прахосмукачка, както е показано на илюстрацията.

Отстраняване на неизправности

Преди да предприемете ремонт, проверете следните точки.

Симптом	Къде трябва да се проверява	Начин за отстраняване
Слаба мощност на засмукване	Пълни ли са с прах торбата за прах или хартиеният филтър?	Изпразнете торбата за прах или хартиения филтър.
	Задръстена ли е торбата за прах?	Изчистете от прах или изперете торбата за прах.
	Задръстен ли е хартиеният филтър?	Сменете хартиения филтър.
	Изтощена ли е акумулаторната батерия?	Заредете акумулаторната батерия.
Не работи	Изтощена ли е акумулаторната батерия?	Заредете акумулаторната батерия.
Капакът на контейнера за прах не се затваря	Поставени ли са торбата за прах или хартиения филтър?	Поставете торбата за прах или хартиения филтър.

БЕЛЕЖКА: Не се опитвайте да ремонтирате прахосмукачката сами.

Извършване на прахосмукачката

Литиево-йонна батерия е вградена в прахосмукачката. Преди да извършвате уреда, винаги я отстранявайте.

Изваждане на вградената акумулаторна батерия

⚠ВНИМАНИЕ: Не докосвайте клемите с проводими материали.

⚠ВНИМАНИЕ: Не съхранявайте батерията в съд с други метални предмети, като пирони, монети и др.

⚠ВНИМАНИЕ: Не излагайте батерията на вода или дъжд.

⚠ВНИМАНИЕ: Не разглобявайте и не променяйте батерията.

⚠ВНИМАНИЕ: Когато отстранявате батерията, прахосмукачката трябва да е изключена от мрежата.

1. За да отстраните задния капак, натиснете го по посока на стрелката.

► **Фиг.45:** 1. Заден капак

2. Плъзнете вградената акумулаторна батерия до половината. Разкачете проводниците от акумулаторната батерия чрез леко преместване на батерията назад, докато натискате конектора по посоката на стрелката, както е показано на фигурата.

► **Фиг.46:** 1. Конектор 2. Проводници

3. След това извадете батерията напълно.

► **Фиг.47:** 1. Батерия

4. Поставете извадения блок на акумулаторната батерия в картонена кутия за предпазване от късо съединение.

Поставяне на резервна батерия

За поставяне на резервната батерия следвайте процедурата за сваляне в обратен ред.

⚠ВНИМАНИЕ: Прекарайте проводника така, че да е изцяло в прахосмукачката преди поставянето на задния капак обратно в началното му положение. Ако не спазите това, проводникът може да бъде повреден.

► **Фиг.48**

След като поставите батерията (вижте "СПЕЦИФИКАЦИИ"), трябва да я заредите преди употреба.

ДОПЪЛНИТЕЛНИ АКСЕСОАРИ

⚠ВНИМАНИЕ: Препоръчва се използването на тези аксесоари или накрайници с вашия уред Makita, описан в настоящото ръководство. Използването на други аксесоари или приспособления може да доведе до опасност от телесни наранявания. Използвайте съответните аксесоар или приспособление само по предназначение.

Ако имате нужда от помощ за повече подробности относно тези аксесоари, се обърнете към местния сервизен център на Makita.

- Удължител (права тръба)
- Накрайник
- Накрайник за килим
- Четка за полици
- Ъглов накрайник
- Кръгла четка
- Гъвкав маркуч
- Хартиен филтър
- Стенна поставка за акумулаторна прахосмукачка
- Резервна батерия
- Свободен накрайник
- Дюза със седло
- Накрайник за труднодостъпни места
- Накрайник „Циклон“

ЗАБЕЛЕЖКА: Някои артикули от списъка може да са включени в комплекта на уреда като стандартни аксесоари. Те може да са различни в различните държави.

UPOZORENJE

Ovaj uređaj mogu koristiti djeca u dobi od 8 i više godina i osobe sa smanjenim fizičkim, osjetilnim ili mentalnim sposobnostima ili s nedovoljnim iskustvom i znanjem ako su pod nadzorom ili dobivaju upute za rukovanje bitne za uporabu uređaja na siguran način i razumiju opasnosti koje s time dolaze. Djeci je zabranjeno igranje uređajem. Djeci je zabranjeno čistiti i provoditi korisničko održavanje bez nadzora.

SPECIFIKACIJE

Model:		CL114FD
Kapacitet	s vrećom za prašinu	500 ml
	s papirnatim filtrom	330 ml
Kontinuirana upotreba (s baterijom BL1020V)	3 (Način maksimalne brzine)	Pribl. 10 min
	2 (Način velike brzine)	Pribl. 18 min
	1 (Način uobičajene brzine)	Pribl. 55 min
Ukupna dužina	Kućište usisavača	458 mm
	S produžnom cijevi i mlaznicom	983 mm
Neto težina		1,1 kg
Nazivni napon		DC 10,8 V - 12 V

- Zahvaljujući našem stalnom programu razvoja i istraživanja, navedene specifikacije podložne su promjenama bez obavijesti.
- Specifikacije mogu biti različite ovisno o zemlji.
- Težina ne uključuje dodatke.

Odgovarajući baterijski uložak i punjač

Baterijski uložak	Punjač za baterije	Vrijeme punjenja (sati)
BL1020V	DC1002	2,0

- Vrijeme punjenja ovisi o temperaturi (10 °C (50 °F) – 40 °C (104 °F)) na kojoj se puni baterijski uložak i stanju baterijskog uložka, primjerice je li baterijski uložak nov ili možda dulje vrijeme nije korišten.

⚠ UPOZORENJE: Upotrebljavajte samo navedene baterijske uloške i punjače. Upotreba bilo koje druge vrste baterijskih uložaka i punjača može prouzročiti ozljede i/ili požar.

Simboli

U nastavku su prikazani simboli koji se upotrebljavaju za opremu. Prije korištenja provjerite jeste li razumjeli njihovo značenje.



Pročitajte priručnik s uputama.



Odvajiva jedinica napajanja



Samo za države EU-a
Ne odlažite električnu opremu ili baterije zajedno s komunalnim otpadom! Sukladno europskim direktivama o otpadnoj električnoj i elektroničkoj opremi, baterijama i akumulatorima te otpadnim baterijama i akumulatorima te njihovoj primjeni sukladno nacionalnim zakonima, električna oprema i baterije na kraju vijeka trajanja moraju se zasebno prikupiti i vratiti u ekološki kompatibilno postrojenje za recikliranje.

Namjena

Uređaj je namijenjen za skupljanje suhe prašine.

SIGURNOSNA UPOZORENJA

Sigurnosna upozorenja za bežični usisavač

⚠ UPOZORENJE: VAŽNO POZORNO PROČITAJTE sva sigurnosna upozorenja i sve upute **PRIJE UPOTREBE**. Nepridržavanje upozorenja ili uputa može rezultirati strujnim udarom, požarom i/ili ozbiljnim ozljedama.

1. Nemojte izlagati kiši. Pohranite u zatvorenom prostoru.
2. Ne dopustite da se koristi kao igračka. Posebno pazite kad ga koriste djeca ili kad se koristi u blizini djece.
3. Koristite samo na način opisan u ovom priručniku. Koristite isključivo preporučene dodatke proizvođača.
4. Ne koristite s oštećenom baterijom. Ako uređaj ne radi kako bi trebao ili je pao, bio oštećen, ostavljen na otvorenom ili ispušten u vodu, vratite ga u servis.
5. Nemojte rukovati uređajem mokrim rukama.
6. Ne stavljajte predmete u otvore. Ne koristite s blokiranim otvorima, zaštitite ga od prašine, dlačica, kose i bilo čega drugoga što bi moglo smanjiti protok zraka.
7. Držite kosu, široku odjeću i sve dijelove tijela dalje od otvora i pomičnih dijelova.
8. Isključite sve kontrole prije uklanjanja baterije.
9. Posebno pazite kad čistite stube.
10. Ne koristite za skupljanje zapaljivih tekućina kao što je benzin i ne koristite na mjestima gdje se one mogu nalaziti.
11. Za punjenje koristite isključivo isporučeni punjač proizvođača.
12. Ne usisavajte stvari koje gore ili se dime, kao što su cigarete, šibice ili vrući pepeo.
13. Ne koristite bez postavljene vreće za prašinu i/ili filtera.
14. Ne punite bateriju na otvorenom.
15. Baterije puniti isključivo punjačem koji preporučuje proizvođač. Punjač koji je prikladan za jednu vrstu baterija može uzrokovati opasnost od požara ako se koristi za drugu vrstu baterija.
16. Ručni alat koristite isključivo s namjenskim i propisanim baterijama. Korištenje bilo koje druge vrste baterija može uzrokovati opasnost od ozljede i požara.
17. Kad se ne koristite baterijama, držite ih podalje od drugih metalnih predmeta poput spajalica, kovanica, ključeva, čavala, vijaka i drugih sitnih metalnih predmeta koji mogu uzrokovati spoj između polova.

18. Pod djelovanjem sile tekućina može iscuriti iz baterije; izbjegavajte kontakt. Ako slučajno dođe do kontakta, isperite vodom.
19. Ne koristite oštećenu ili preinačenu bateriju ili alat. Oštećene ili preinačene baterije mogu se neočekivano ponašati te prouzročiti požar, eksploziju ili ozljede.
20. Ne izlažite bateriju ili alat plamenu ili previsokoj temperaturi. Izlaganje plamenu ili temperaturi višoj od 130 °C može prouzročiti eksploziju.
21. Pridržavajte se svih uputa za punjenje i nemojte puniti bateriju ili alat izvan temperaturnog raspona navedenog u uputama. Neispravno punjenje ili punjenje pri temperaturama izvan navedenog raspona mogu oštetiti bateriju i povećati opasnost od požara.

ČUVAJTE OVE UPUTE.

DODATNA SIGURNOSNA PRAVILA

Ovaj je uređaj namijenjen za kućnu uporabu.

1. Pažljivo pročitajte ovaj priručnik s uputama i priručnik s uputama za punjač prije uporabe.
2. Ne usisavajte sljedeće materijale:
 - Vruće materijale kao što su zapaljene cigarete ili iskre/metalna prašina koja nastaje brušenjem/rezanjem metala
 - Zapaljive materijale kao što su benzin, razrjeđivač, kerozin ili boja
 - Eksplozivne materijale kao što je nitroglicerina
 - Zapaljive materijale kao što su aluminij, cink, magnezij, titanij, fosfor ili celuloid
 - Mokrnu prašinu, vodu, ulje i slično
 - Tvrdje dijelove s oštrim rubovima, kao što su komadići drva, metali, kamenje, staklo, čavli, pribadače ili britve
 - Praške koji se grušaju kao što su cement ili toner
 - Prašinu koja provodi struju kao što je metalna ili ugljična prašina
 - Sitne čestice kao što je prašina betonaTakve radnje mogu prouzročiti požar, ozljedu i/ili štetu na imovini.
3. Odmah prestanite s radom ako primijetite nešto neobično.
4. Ako ispuštite ili udarite usisivač, pažljivo provjerite ima li pukotina ili oštećenja prije rada s njime.
5. Ne približavajte ga štednjacima i drugim izvorima topline.
6. Ne blokirajte ulaznu rupu ili ventilacijske rupe.

ČUVAJTE OVE UPUTE.

ZA UGRAĐENU BATERIJU

1. Prije uporabe ugrađene baterije pročitajte sve upute i oznake upozorenja na (1) punjaču baterije, (2) bateriji i (3) proizvodu koji koristi bateriju.
2. Ne rastavljajte ugrađenu bateriju.
3. Ako se vrijeme rada znatno skratilo, odmah prestanite upotrebljavati uređaj. Može doći do pregrijavanja, opeklina pa čak i eksplozije.
4. Ako vam elektrolit dospije u oči, isperite ih čistom vodom i odmah se obratite liječniku. Tako možete izgubiti vid.
5. Nemojte kratko spojati ugrađenu bateriju:
 - (1) Ne dovodite terminale u kontakt s provodljivim materijalima.
 - (2) U spremnike u kojima čuvate ugrađenu bateriju ne stavljajte druge metalne predmete, poput čavala, kovanica i sl.
 - (3) Ne izlažite ugrađenu bateriju vodi ili kiši. Kratki spoj baterije može uzrokovati velik protok struje, pregrijavanje, opeklina pa čak i kvar.
6. Ne držite i ne upotrebljavajte alat i ugrađenu bateriju na mjestima gdje temperatura može doseći ili premašiti 50 °C (122 °F).
7. Ne palite ugrađenu bateriju, čak i kad je teško oštećena ili potpuno ispražnjena. Ugrađena baterija može eksplodirati u vatri.
8. Pazite da vam baterija ne ispadne ili da je ne udarite.
9. Nemojte upotrebljavati oštećenu ugrađenu bateriju.
10. Sadržane litij-ionske baterije podliježu odredbama zakonskih propisa o opasnim tvarima. Kada odlažete bateriju u otpad, uklonite je iz alata i zbrinite na sigurnom mjestu. Pridržavajte se lokalnih zakonskih propisa za zbrinjavanje baterija.
11. Upotrebljavajte baterije samo s proizvodima koje je odobrila tvrtka Makita.

ČUVAJTE OVE UPUTE.

Savjeti za održavanje najduljeg vijeka trajanja baterije

1. Ugrađenu bateriju napunite prije nego što se potpuno isprazni. Prestanite s radom i napunite ugrađenu bateriju kad primijetite slabiji rad alata.
2. Nikada nemojte puniti potpuno napunjenu ugrađenu bateriju. Prekomjerno punjenje skraćuje radni vijek baterije.
3. Ugrađenu bateriju puniti na sobnoj temperaturi između 10 °C i 40 °C (50 °F i 104 °F). Ostavite vruću ugrađenu bateriju da se ohladi prije punjenja.
4. Ugrađenu bateriju puniti svakih šest mjeseci ako alat dulje vrijeme ne upotrebljavate.

FUNKCIONALNI OPIS

⚠OPREZ: Obavezno provjerite je li uređaj isključen prije namještanja ili provjere funkcije na uređaju.

Punjenje ugrađene baterije

⚠OPREZ: Uvijek upotrebljavajte originalne baterije Makita. Upotreba baterija koje nisu originalne baterije Makita ili su izmijenjene može dovesti do rasprskavanja baterije i uzrokovati požar, tjelesnu ozljedu ili štetu. To će također poništiti jamstvo tvrtke Makita za proizvod i punjač Makita.

⚠OPREZ: Uvijek odspojite utikač za punjenje iz usisivača nakon punjenja.

⚠OPREZ: Nemojte ostavljati punjač uključen u struju nakon odspajanja uređaja. Mala djeca mogu staviti priključak pod naponom u usta i tako se ozlijediti.

Napunite usisivač kad ga koristite prvi put ili ako se nije punio dulje vrijeme. Spojite utikač za punjenje na priključak za punjenje, zatim priključite punjač u strujnu utičnicu.

► **SI.1:** 1. Priključak za punjenje

Žaruljica snage baterije uključuje se i punjenje počinje. Svjetlo se isključuje po završetku punjenja. Za više detalja pročitajte priručnik s uputama za punjač baterije.

► **SI.2:** 1. Lampica snage baterije

NAPOMENA: Žaruljica snage baterije treperi i baterija se ne može puniti ako su baterija ili usisivač izloženi ekstremnim temperaturama.

NAPOMENA: Usisivačem se ne može upravljati tijekom punjenja. Usisivač pokrenite tako da punjač isključite iz izvora napajanja, odspojite utikač punjenja iz usisivača i zatim pritisnete gumb za uključivanje/promjenu brzine.

NAPOMENA: U sljedećim uvjetima baterija je došla do kraja svog vijeka trajanja (ili je oštećena/neispravna). Isključite punjač iz napajanja i zatim zamijenite bateriju.

- Žaruljica snage baterije isključuje se ubrzo nakon početka punjenja usisivača.
- Usisivač radi samo u razdoblju koje je za pola kraće od uobičajenog vremena rada kad je baterija do kraja napunjena.

NAPOMENA: Baterija se može ponovno puniti oko 500 puta. Vrijeme punjenja varira ovisno o uvjetima u kojima se baterija puni i prazni.

Uključivanje i isključivanje

⚠ OPREZ: Uvijek isključite usisavač nakon svake uporabe kako biste spriječili oštećivanje usisivača i produžili vijek trajanja baterija.

Da biste uključili usisavač, jednostavno pritisnite gumb za uključivanje/promjenu brzine. Da biste ga isključili, pritisnite gumb za isključivanje.

Brzinu usisavača možete promijeniti u tri koraka pritiskom gumba za uključivanje/promjenu brzine.

Prvim se pritiskom uključuje način velike brzine, drugim se pritiskom uključuje način maksimalne brzine, a trećim uobičajena brzina. Svakim pritiskom tog gumba ponavlja se ciklus velike/maksimalne/uobičajene brzine.

► **SI.3:** 1. Gumb za uključivanje („ON“)/promjenu brzine 2. Gumb za isključivanje („OFF“)

Lampica snage baterije

Kad je preostali kapacitet baterije nizak, treperi lampica snage baterije.

Kad je preostali kapacitet baterije mnogo niži, usisavač se isključuje i žaruljica snage baterije svijetli otprilike 10 sekundi. Tada napunite bateriju.

Također, kada je baterija preopterećena ili kada se pregrije, usisavač se isključuje i žaruljica snage baterije svijetli otprilike 10 sekundi. Usisavač se ne pokreće dok žaruljica svijetli.

► **SI.4:** 1. Lampica snage baterije

NAPOMENA: Vrijeme kad lampica snage baterije treperi ili zasvijetli ovisi o temperaturi na radnom mjestu i uvjetima baterije.

Uključivanje žaruljica

⚠ OPREZ: Nemojte izravno gledati u svjetlo ili izvor svjetlosti.

Da biste uključili žaruljicu, jednostavno pritisnite gumb za uključivanje/promjenu brzine. Pritisnite gumb za isključivanje da biste isključili žaruljicu. Tijekom pokretanja usisavača, žaruljica se uključuje.

► **SI.5:** 1. Gumb za uključivanje („ON“)/promjenu brzine 2. Gumb za isključivanje („OFF“) 3. Žaruljica

MONTAŽA

⚠ OPREZ: Provjerite je li uređaj isključen prije obavljanja svakog zahvata na uređaju.

Vreća za prašinu ili papirnati filter

Postavite vreću za prašinu ili papirnati filter prije upotrebe usisavača.

Koristite zaustavljač prašine kad postavljate vreću za prašinu ili papirnati filter.

Vreća za prašinu može se koristiti više puta tako da se očisti. Papirnati filter baca se nakon upotrebe. Bacite papirnati filter bez pražnjenja kad se napuni.

NAPOMENA: Da biste spriječili ulazak prašine u motor:

- Prije upotrebe provjerite je li postavljena vreća za prašinu ili papirnati filter.
- Pri postavljanju umetnite zaustavljač prašine zajedno s vrećom za prašinu ili papirnatim filterom skroz do kraja u otore.
- Ne upotrebljavajte oštećenu ili poderanu vreću.

U suprotnom se motor može oštetiti.

NAPOMENA: Nemojte presavijati karton na njegovu otvoru kad postavljate papirnati filter.

NAPOMENA: Nikad ne bacajte zaustavljač prašine jer se on mora koristiti uvijek kada se koriste vreća za prašinu ili papirnati filter.

NAPOMENA: Papirnati filter za usisavač važan je dio za održavanje rada usisavača. Korištenje papirnatih filtera koji nisu originalni može uzrokovati pojavu dima ili zapaljenje.

NAPOMENA: Ako u usisavaču nije postavljena vreća za prašinu ili papirnati filter, prednji poklopac ne može se u potpunosti zatvoriti.

► **SI.6**

Postavljanje vreće za prašinu

Koristite zaustavljač prašine kad postavljate vreću za prašinu. Pazite da slučajno ne zamijenite njegovu gornju i donju stranu jer se one razlikuju.

► **SI.7:** 1. Gornja strana zaustavljača prašine 2. Donja strana zaustavljača prašine

1. Umetnite izbočenje vreće za prašinu u donji žlijeb na zaustavljaču prašine kao što je prikazano na slici.

► **SI.8:** 1. Zaustavljač prašine 2. Donji žlijeb 3. Vreća za prašinu

2. Nema razlike između gornje i donje strane vreće za prašinu. Izbočenje vreće na bilo kojoj strani možete umetnuti u donji žlijeb zaustavljača prašine.

► **SI.9:** 1. Donji žlijeb

3. Preklopite okvir zaustavljača prašine s okvirom vreće za prašinu.

► **SI.10**

4. Stavite zaustavljač prašine i vreću za prašinu zajedno u otvor usisavača u smjeru strelice na zaustavljaču prašine. Umetnite ih do kraja u otore u otvoru usisavača.

► **SI.11**

5. Postavite tkani dio vreće za prašinu u usisavač.

► **SI.12**

6. Zatvorite do kraja prednji poklopac.

► **SI.13:** 1. Prednji poklopac

Postavljanje zračnog filtra

Koristite zaustavljač prašine kad postavljate papirnati filter. Pazite da slučajno ne zamijenite njegovu gornju i donju stranu jer se one razlikuju.

► **SI.14:** 1. Gornja strana zaustavljača prašine 2. Donja strana zaustavljača prašine

1. Otvorite otvor papirnato filtera prije postavljanja u zaustavljač prašine.

► **SI.15**

2. Umetnite izbočenje papirnato g filtra u donji žlijeb na zaustavljaču prašine kao što je prikazano na slici.

► **Sl.16:** 1. Zaustavljač prašine 2. Donji žlijeb 3. Papirnat filter

3. Nema razlike između gornje i donje strane papirnato g filtra. Izbočenje filtra na bilo kojoj strani možete umetnuti u donji žlijeb zaustavljača prašine.

► **Sl.17:** 1. Donji žlijeb

4. Preklopite okvir zaustavljača prašine s okvirom papirnato g filtra.

► **Sl.18**

5. Stavite zaustavljač prašine i papirnat filter zajedno u otvor usisavača u smjeru strelice na zaustavljaču prašine. Umetnite ih do kraja u utore u otvoru usisavača.

► **Sl.19**

6. Postavite cijeli spremnik papirnato g filtra unutar usisavača.

► **Sl.20**

7. Zatvorite do kraja prednji poklopac.

► **Sl.21:** 1. Prednji poklopac

RAD

⚠OPREZ: Ne približavajte lice otvoru za prozračivanje pri radu s usisavačem. Ako strana tijela dospiju u oči, to može prouzročiti ozljede.

Postavljanje ili uklanjanje dodatnog pribora usisavača

⚠OPREZ: Nakon postavljanja nastavka provjerite je li sigurno postavljen. Ako nastavak nije savršeno postavljen, može se otpustiti i prouzročiti ozljedu.

⚠OPREZ: Pazite da pri uklanjanju dodatka ne udarite glavom o zid itd.

Upotreba nastavka s funkcijom blokiranja

Nastavak postavite tako da ga umetnete u otvor za usis usisavača dok ne klikne. Provjerite je li nastavak završen.

► **Sl.22:** 1. Otvor za usis 2. Nastavak s funkcijom blokiranja 3. Kuka 4. Gumb za otpuštanje

NAPOMENA: Prilikom postavljanja nastavka s funkcijom blokiranja, obavezno poravnajte gumb za otpuštanje s kukom na nastavku. Ako nisu poravnati, nastavak se neće blokirati i mogao bi ispasti s usisavača.

Nastavak skinite tako da ga povlačite dok pritisćete gumb za otpuštanje.

► **Sl.23:** 1. Gumb za otpuštanje 2. Nastavak s funkcijom blokiranja

Upotreba nastavka bez funkcije blokiranja

⚠OPREZ: Da biste postavili nastavak bez funkcije blokiranja, zakrenite ga i umetnite u smjeru strelice kako bi bio dobro pričvršćen tijekom upotrebe. Nastavak skinite tako da ga zakrenete i izvučete u smjeru strelice.

► **Sl.24**

Čišćenje (usis)

Mlaznica

Pričvrstite mlaznicu za čišćenje stolova, namještaja i sl. Mlaznica se jednostavno postavlja.

► **Sl.25:** 1. Mlaznica

Mlaznica + produžna cijev (ravna cijev)

Mjesto produžne cijevi je između mlaznice i usisavača.

To omogućuje čišćenje podova dok stojite.

► **Sl.26:** 1. Kućište usisavača 2. Produžna cijev 3. Mlaznica

Kutna mlaznica

Postavite kutnu mlaznicu za čišćenje kutova i procjepa sjedišta vozila ili namještaja.

► **Sl.27:** 1. Kutna mlaznica 2. Kućište usisavača

Kutna mlaznica + produžna cijev (ravna cijev)

Koristite ovaj raspored u uskim prostorima gdje ne možete raditi s usisavačem ili na visokim mjestima koja je teško doseći.

► **Sl.28:** 1. Kutna mlaznica 2. Produžna cijev 3. Kućište usisavača

Čišćenje bez mlaznice

Prah i prašinu možete usisati bez mlaznice.

► **Sl.29**

Za usisavanje prašine s poda dok stojite preporučujemo da spojite produžnu cijev s usisavačem.

► **Sl.30:** 1. Produžna cijev

Odlaganje prašine

⚠OPREZ: Ispraznite usisavač prije nego se napuni ili će snaga usisa oslabiti.

⚠OPREZ: Kad zatvarate prednji poklopac, pazite da ne priklješтите prste.

NAPOMENA: Nikad ne bacajte zaustavljač prašine jer se on mora koristiti kad god se koriste vreća za prašinu ili papirnat filter.

NAPOMENA: Ako u usisavaču nije postavljena vreća za prašinu/papirnat filter, prednji poklopac ne može se potpuno zatvoriti. Nemojte na silu zatvarati prednji poklopac. To može dovesti do iskrivljenja ili pucanja usisavača.

NAPOMENA: Prilikom odlaganja prašine u otpad, očistite i prostor za vreću za prašinu/papirnat filter. Zbog preostale prašine i prljavštine u prostoru može se začeptiti spužvasti filter ili oštetiti motor.

1. Pritisnite gumb za otvaranje prednjeg poklopca. Otvorite ga dok ne čujete klik i dok se ne zaustavi na tom mjestu.

► **SI.31:** 1. Prednji poklopac 2. Gumb

2. Istovremeno izvucite narančasti zaustavljač prašine i vreću za prašinu/papirnat filter.

► **SI.32:** 1. Zaustavljač prašine

3. Izvršite postupke u nastavku ovisno o vrsti spremnika vreće za prašinu:

Prilikom upotrebe vreće za prašinu

Uklonite zaustavljač prašine i ispraznite vreću za prašinu.

► **SI.33:** 1. Zaustavljač prašine 2. Vreća za prašinu

Prilikom upotrebe papirnato filtera

Uklonite zaustavljač prašine i odložite papirnat filter.

► **SI.34:** 1. Zaustavljač prašine 2. Papirnat filter

4. Postavite vreću za prašinu i zaustavljač prašine u usisavač i zatvorite prednji poklopac.

NAPOMENA: Usisavač je napravljen tako da će se prednji poklopac odvojiti ako ga pokušate otvoriti pri stupnju većem od 90°. Ako se prednji poklopac odvoji, umetnite ga na njegovo mjesto na zglobu prednjeg poklopca.

► **SI.35:** 1. Prednji poklopac 2. Zglob prednjeg poklopca

ODRŽAVANJE

⚠OPREZ: Prije svakog pregleda i održavanja uvijek provjerite jeste li isključili uređaj.

Da biste zadržali SIGURNOST I POUZDANOST proizvoda, popravke i bilo koje druge radove održavanja ili namještanja trebali biste prepustiti ovlaštenim servisnim ili tvorničkim centrima tvrtke Makita, a rezervni dijelovi uvijek moraju biti originalni.

NAPOMENA: Nikada nemojte koristiti benzin, mješavinu benzina, razrjeđivač, alkohol ili slično. Kao rezultat toga može se izgubiti boja, pojaviti deformacija ili pukotine.

Nakon upotrebe

Prilikom spremanja ili punjenja usisavača zaključajte usisnu glavu, a usisavač objesite o kuku dostupnu na tržištu.

► **SI.36**

⚠OPREZ: Oslanjanje usisavača na zid i bez kakve podrške može dovesti do pada i oštećenja usisavača.

► **SI.37**

Čišćenje

Kućište usisavača

Povremeno obrišite vanjski dio (kućište) usisavača tkaninom navlaženom u vodi sa sapunicom.

Očistite i otvor za usis, dio za postavljanje vreće za prašinu/papirnato filtera i zaustavljač prašine.

► **SI.38**

Zaustavljač prašine

Obrišite prašinu sa zaustavljača prašine.

Uklonite prašinu i prljavštinu sa spužvastog dijela tako da lagano udarate po njemu.

► **SI.39:** 1. Spužvasti dio

Vreća za prašinu

Operite vreću za prašinu u vodi sa sapunicom kad se začepi prašinom i kad se smanji snaga usisavanja.

Temeļjito ga osušite prije korištenja. Nedovoljno suha vrećica može uzrokovati slab usis i skratiti vijek trajanja motora.

► **SI.40**

NAPOMENA: Papirnat filter baca se nakon upotrebe.

Kad se spužvasti filter začepi prašinom, uklonite ga iz usisavača i obrišite ili operite u vodi.

Uklanjanje i postavljanje spužvastog filtera

⚠OPREZ: Nakon čišćenja nemojte zaboraviti ponovno postaviti spužvasti filter u usisavač. Ako ga perete u vodi, osušite ga prije postavljanja. Nedovoljno suh spužvasti filter može skratiti vijek trajanja motora.

Da biste uklonili spužvasti filter, uklonite vreću za prašinu ili papirnat filter, a zatim primite i izvucite spužvasti filter.

► **SI.41:** 1. Spužvasti filter

Filter postavite tako da pritisnete cijeli rub spužvastog filtera na udubljeni zid unutar dijela za postavljanje vreće za prašinu/papirnato filtera.

► **SI.42:** 1. Udubljeni zid

Čišćenje usisne glave

(Ovisno o državi)

Kada četka usisne glave postane prašnjava, prašinu očistite ljepljivom trakom.

► **SI.43:** 1. Četka

Zidni nosač za bežični usisavač

Dodatni pribor

NAPOMENA: Vijak za pričvršćivanje nosača nije priložen. Pripremite vijak koji odgovara materijalu na koji će se pričvrstiti.

Postavite zidni nosač za bežični usisavač na tvrdi drveni zid, gredu ili stup, gdje ga je moguće dobro pričvrstiti. Uvijek provjerite je li zidni nosač za bežični usisavač sigurno pričvršćen prije vješanja usisavača.

► **SI.44:** 1. Zidni nosač za bežični usisavač 2. Utikač

⚠OPREZ: Nemojte prisilno vješati usisavač na zidni nosač i nemojte vješati druge uređaje osim usisavača.

NAPOMENA: Kad ne puniti usisavač, utikač se može pohraniti na zidni nosač za bežični usisavač, kao što je prikazano.

Otklanjanje poteškoća

Prije nego što uređaj odnesete na popravak, provjerite sljedeće.

Simptom	Područje koje je potrebno istražiti	Ispravljanje problema
Slaba snaga usisa	Jesu li vreća za prašinu ili papirnati filter puni prašine?	Ispraznite vreću za prašinu ili papirnati filter.
	Je li vreća za prašinu začepljena?	Istresite prašinu ili operite vreću za prašinu.
	Je li papirnati filter začepljen?	Zamijenite papirnati filter.
	Je li baterija prazna?	Napunite bateriju.
Ne radi	Je li baterija prazna?	Napunite bateriju.
Poklopac kutije za prašinu ne zatvara se	Jesu li vreća za prašinu ili papirnati filter postavljeni?	Postavite vreću za prašinu ili papirnati filter.

NAPOMENA: Ne pokušavajte sami popraviti usisivač.

Odlaganje usisivača

Litij-ionska baterija ugrađena je u usisivač. Uvijek je uklonite prije odlaganja usisivača.

Uklanjanje ugrađene baterije

⚠ OPREZ: Ne dovodite terminale u kontakt s provodljivim materijalima.

⚠ OPREZ: U spremnike u kojima čuvate bateriju ne stavljajte druge metalne predmete, poput čavala, kovanica i sl.

⚠ OPREZ: Ne izlažite bateriju vodi ili kiši.

⚠ OPREZ: Ne rastavljajte i ne mijenjajte bateriju.

⚠ OPREZ: Usisivač ne smije biti uključen u struju tijekom uklanjanja baterije.

1. Stražnji poklopac uklonite tako da ga gurnete u smjeru strelice.
▶ **SI.45:** 1. Stražnji poklopac
2. Pomaknite ugrađenu bateriju do pola. Odvojite žice pod naponom iz baterije tako da lagano povlačite bateriju prema natrag dok pritišćete priključak u smjeru strelice kako je prikazano na slici.
▶ **SI.46:** 1. Priključak 2. Olovne žice
3. Zatim bateriju potpuno izvadite.
▶ **SI.47:** 1. Baterija
4. Stavite uklonjenu bateriju u kartonsku kutiju kako ne bi došlo do kratkog spoja.

Postavljanje zamjenske baterije

Zamjensku bateriju postavite obrnutim redoslijedom.

⚠ OPREZ: Usmjerite priključak tako da se potpuno umetne unutar usisivača prije nego što vratite stražnji poklopac u izvorni položaj. U suprotnom bi se priključak mogao oštetiti.

▶ **SI.48**

Nakon postavljanja baterije (pogledajte „SPECIFIKACIJE“) napunite bateriju prije upotrebe.

DODATNI PRIBOR

⚠ OPREZ: Ovaj dodatni pribor i dodaci preporučuju se za upotrebu s uređajem tvrtke Makita navedenim u ovom priručniku. Upotreba bilo kojeg drugog dodatnog pribora ili dodataka može prouzročiti ozljede. Upotrebljavajte dodatni pribor ili dodatak samo za njegovu navedenu svrhu.

Ako vam je potrebna pomoć za više detalja u pogledu ovih dodatnih pribora, obratite se najbližem Makita servisnom centru.

- Produžna cijev (ravna cijev)
- Mlaznica
- Mlaznica za tepih
- Četkica za police
- Kutna mlaznica
- Okrugla četka
- Fleksibilno crijevo
- Papirnati filter
- Zidni nosač za bežični usisivač
- Zamjenska baterija
- Slobodna mlaznica
- Mlaznica za sjedala
- Mlaznica za procjep
- Nastavak ciklona

NAPOMENA: Neke stavke s popisa mogu se isporučiti zajedno s proizvodom kao standardni dodatni pribor. One mogu biti različite ovisno o zemlji.

ПРЕДУПРЕДУВАЊЕ

Овој уред може да се користи од страна на деца на возраст од 8 години или постари, и лица со намалени физички, сетилни или ментални капацитети, или без доволно искуство и познавање ако се под надзор или им се даваат упатства за користење на уредот на безбеден начин и ги разбираат вклучените ризици. Децата не смеат да си играат со уредот. Чистењето и одржувањето од корисникот не смеат да се вршат од страна на деца без надзор.

СПЕЦИФИКАЦИИ

Модел:		CL114FD
Капацитет	со вреќа за прав	500 мл
	со хартиен филтер	330 мл
Континуирано користење (со батерија BL1020V)	3 (Режим со максимална брзина)	Околу 10 мин.
	2 (Режим со голема брзина)	Околу 18 мин.
	1 (Режим со нормална брзина)	Околу 55 мин.
Вкупна должина	Тело на правосмукалката	458 мм
	Со продолжна цевка и млазница	983 мм
Нето тежина		1,1 кг
Номинален напон		D.C. 10,8 V - 12 V макс.

- Поради нашата континуирана програма за истражување и развој, спецификациите тука подлежат на промена без најава.
- Спецификациите може да се разликуваат од држава до држава.
- Тежината не ги вклучува додатоците.

Применлива касета за батерија и полнач

Касета за батерија	Полнач за батерии	Време на полнење (часови)
BL1020V	DC1002	2,0

- Времето на полнење се разликува според температурата (10 °C (50 °F) – 40 °C (104 °F)) и условите при коишто се полни касетата за батерија, како на пример, нова касета за батерија или батерија што не е користена подолго време.

▲ ПРЕДУПРЕДУВАЊЕ: Користете ги само касетите за батерии и полначите наведени погоре. Користењето какви било поинакви касети за батерии и полначи може да создаде ризик од повреда и/или пожар.

Симболи

Долунаведените ги прикажуваат симболите што може да се користат кај опремата. Пред употребата, проверете дали го разбирате нивното значење.



Прочитајте го упатството за користење.



Единица за напојување што се откачува



Само за земјите на ЕУ
Не фрлајте ја електричната опрема или батеријата заедно со домашниот отпад! Земajки ги предвид европските директиви за отпадна електрична и електронска опрема и за батерии, акумулатори и отпадни батерии и акумулатори и нивното спроведување во согласност со националните закони, електричната опрема и батериите на крајот на нивниот работен век мора да се собираат одделно и да се вратат во еколошки објект за рециклирање.

Наменета употреба

Уредот е наменет за собирање сув прав.

БЕЗБЕДНОСНИ ПРЕДУПРЕДУВАЊА

Безбедносни предупредувања за безжичната правосмукалка

▲ ПРЕДУПРЕДУВАЊЕ: ВАЖНО!
ПРОЧИТАЈТЕ ГИ ВНИМАТЕЛНО сите
безбедносни предупредувања и сите упатства
ПРЕД УПОТРЕБА. Ако не се почитуваат
предупредувањата и упатствата, може да дојде до
струен удар, пожар и/или тешки повреди.

1. Да не се изложува на дожд. Да се чува во затворена просторија.
2. Не дозволувајте да се користи како играчка. Кога се користи во близина на деца, потребно е да се обрне особено внимание.
3. Користете го само онака како што е опишано во ова упатство. Користете само додатоци што се одобрени од производителот.
4. Не користете оштетена батерија. Ако уредот не работи како што треба, бил испуштен, оштетен, оставен на отворено или паднал во вода, вратете го во сервисен центар.
5. Не ракувајте со уредот со влажни раце.
6. Не ставајте никакви предмети во отворите. Не користете го доколку кој било од отворите е блокиран; одржувајте го чист и без прав, текстилни влакненца, коса и што било друго што може да го намали протокот на воздух.
7. Држете ја косата, лабавата облека и сите делови од телото подалеку од отворите и подвижните делови.
8. Исклучете ги сите контроли пред да ја извадите батеријата.
9. Обрнете особено внимание кога чистите скали.
10. Не користете го за подигање запаливи или согорливи течности, како на пример, бензин, и не користете го во области каде што тие може да бидат присутни.
11. За полнење, користете го само полночот што е испорачан од страна на производителот.
12. Не подигајте ништо што гори или чади, како на пример, цигари, догорчиња или жежок пепел.
13. Не користете го без вреќа за прав и/или без поставени филтри.
14. Не полнете ја батеријата надвор.
15. Полнете само со полночот одреден од страна на производителот. Полнач што е соодветен за еден тип батерија може да создаде ризик од пожар кога се користи со друга батерија.
16. Исклучиво користете ги електричните алати со конкретно наменети батерии. Користењето други батерии може да создаде ризик од повреда и пожар.
17. Кога батеријата не се користи, држете ја настрана од други метални предмети, како што се спојувалки, монети, клучеви, шајки или други мали метални предмети што може да послужат како врска од еден на друг приклучок.

18. При неправилна употреба, од батеријата може да истече течност. Избегнувајте контакт со неа. Ако дојде до ненамерен контакт, измијте со вода.
19. Не користете батерии или алат што се оштетени или менувани. Оштетените или менуваните батерии може да прикажуваат непредвидливо однесување што резултира со оган, експлозија или опасност од повреда.
20. Не изложувајте ги батериите или алатот на оган или прекумерна температура. Изложувањето на оган или температура над 130°C може да предизвика експлозија.
21. Следете ги сите упатства за полнење и не полнете ги батериите или алатот надвор од температурниот опсег наведен во упатството. Неправилното менување или менувањето на температури надвор од наведениот опсег може да ја оштети батеријата и да ја зголеми опасноста од оган.

ЧУВАЈТЕ ГО УПАТСТВОТО.

ДОПОЛНИТЕЛНИ БЕЗБЕДНОСНИ ПРАВИЛА

Овој уред е наменет за употреба во домаќинството.

1. Внимателно прочитајте ги ова упатство за употреба и упатството за употреба за полночот пред употребата.
2. Не подигајте ги следниве материјали:
 - Жешките материјали, како на пример запалени цигари или искречки/метален прав што се создава од брусењето/сечењето метал
 - Запаливи материјали, како на пример, бензин, разредувач, газија, керозин или боја
 - Експлозивни материјали, како на пример, нитроглицерин
 - Запаливи материјали, како на пример, алуминиум, цинк, магнезиум, титаниум, фосфор или целулоид
 - Влажен прав, вода, масло или слично
 - Тврди парчиња со остри рабови, како на пример, дрвени делканици, метали, камења, стакло, шајки, игли или жилети
 - Прав што може да предизвика затнување, како на пример, цемент или прав за тонер
 - Проводлив прав, како на пример, метал или јаглерод
 - Мали честички, како на пример, прав од бетонТаквите дејства може да предизвикаат пожар, повреда и/или оштетување на имотот.
3. Ако забележите нешто абнормално, веднаш запрете со работа.
4. Ако ја испуштите или удристе правосмукалата, внимателно проверете дали на неа има пукнатини или оштетувања пред да продолжите со работа.

5. Не доближувајте го до печки или други топлински извори.
6. Не блокирајте ги доводната дупка и дупките за вентилација.

ЧУВАЈТЕ ГО УПАТСТВОТО.

ВАЖНИ БЕЗБЕДНОСНИ УПАТСТВА

ЗА ВГРАДЕНА БАТЕРИЈА

1. Пред да ја користите вградената батерија, прочитајте ги сите упатства и ознаки за претпазливост на (1) полначот за батеријата, (2) батеријата и (3) производот што ја користи батеријата.
2. Не расклопувајте ја вградената батерија.
3. Ако оперативното времето станало прекумерно кратко, престанете веднаш со работа. Тоа може да резултира со ризик од прегревање, можни изгореници, па дури и експлозија.
4. Ако електролит навлезе во вашите очи, измијте ги со чиста вода и побарајте медицинска нега веднаш. Тоа може да резултира со губење на вашиот вид.
5. Не пресојувајте ја вградената батерија:
 - (1) Не допирајте ги контактите со никаков проводлив материјал.
 - (2) Избегнувајте да ја чувате вградената батерија во сад со други метални предмети како што се шајки, монети и сл.
 - (3) Не изложувајте ја вградената батерија на вода или дожд. Краткиот спој на батеријата може да предизвика голем проток на електрична енергија, прегревање, можни изгореници, па дури и пад на напојувањето.
6. Не складирајте ги и не користете ги алатот и вградената батерија на места каде што температурата може да достигне или надминува 50°C (122 °F).
7. Не спалувајте ја вградената батерија дури ни кога е многу оштетена или целосно потрошена. Вградената батерија може да експлодира ако се стави во оган.
8. Внимавајте да не ја испуштите или удриете батеријата.
9. Не користете оштетена вградена батерија.
10. Содржаните литиум-јонски батерии се подложни на условите во Правилата за опасни предмети. Кога ја фрлате во отпад батеријата, извадете ја од алатот и фрлате ја на безбедно место. Почитувајте ги локалните законски прописи што се однесуваат на фрлање во отпад на батеријата.
11. Користете ги батериите само со производите назначени од Makita.

ЧУВАЈТЕ ГО УПАТСТВОТО.

Совети за одржување максимален работен век на батеријата

1. Полнете ја вградената батерија пред да се испразни целосно. Секогаш исклучувајте го алатот и полнете ја вградената батерија кога ќе забележите намалена моќност на алатот.
2. Никогаш не полнете целосно наполнетата батерија. Прекумерното полнење го скратува животниот век на батеријата.
3. Полнете ја вградената батерија на собна температура од 10 °C - 40 °C (50 °F - 104 °F). Дозволете загреаната батерија да се олади пред да ја ставите на полнење.
4. Полнете ја вградената батерија еднаш секои шест месеци ако не го користите алатот подолг временски период.

ОПИС НА ФУНКЦИЈЕ

⚠ВНИМАНИЕ: Осигурете се дека уредот е исклучен пред негово нагодување или проверка.

Полнење на вградената батерија

⚠ВНИМАНИЕ: Користете само оригинални батерии на Makita. Користењето неоригинални батерии на Makita или батерии што се изменети може да резултира со распукување на батеријата, предизвикувајќи пожар, телесна повреда и оштетување. Тоа исто така ќе ја поништи гаранцијата за производот и полначот на Makita.

⚠ВНИМАНИЕ: Секогаш откачувајте го приклучокот за полнење од смукалката по полнењето.

⚠ВНИМАНИЕ: Не оставајте го полначот приклучен на напојување откако ќе го откачите апаратот. Малите деца може да стават активен приклучок во устата и да предизвикаат повреда.

Наполнете ја смукалката кога ја употребувате прв пат или кога не била наполнета подолго време. Поврзете го приклучокот за полнење во конекторот за полнење, а потоа поврзете го полначот во изворот на електрична енергија.

► **Сл.1:** 1. Конектор за полнење

Ламбата за енергија на батеријата светнува и полнењето започнува. Откако полнењето ќе заврши, ламбата ќе се изгаси. За повеќе детали, погледнете го упатството за употреба на полначот за батерии.

► **Сл.2:** 1. Ламба за енергија на батеријата

ЗАБЕЛЕШКА: Ламбата за енергија на батеријата трепка и батеријата не може да се наполни ако таа или правосмукалката се изложени на екстремни температури.

НАПОМЕНА: Правосмукалката не може да се контролира додека се полни. За да ја стартувате правосмукалката, исклучете го полначот од изворот на напојување, исклучете го приклучокот за полнење од правосмукалката и потоа притиснете го копчето ВКЛУЧИ/промени брзина.

НАПОМЕНА: Под следниве услови, батеријата наскоро ќе го достигне крајот на својот век (или е оштетена/неисправна). Исклучете го полначот од напојувањето, потоа заменете ја батеријата.

- Ламбата за енергија на батеријата се исклучува кратко време откако ќе почнете да ја полните правосмукалката.
- Правосмукалката работи само во период што е пократок од половината од нормалното време на работење откако батеријата целосно се наполнила.

НАПОМЕНА: Батеријата може да се полни најмногу до приближно 500 пати. Времињата на полнење се разликуваат, зависно од условите под кои батеријата се наполнила и испразнила.

Вклучување

⚠ВАЖНО: Секогаш исклучувајте го чистачот по секоја употреба за да спречите оштетување на чистачот и за да го продолжите работниот век на батериите.

За да ја стартувате правосмукалката, едноставно притиснете го копчето ВКЛУЧИ/промени брзина. За исклучување, притиснете го копчето ИСКЛУЧИ. Брзината на правосмукалката може да ја менувате во три чекори со притискање на копчето ВКЛУЧИ/промени брзина.

Првото притискање на ова копче е за режим со голема брзина, второто за режим со максимална брзина, а третото за нормална брзина. Секое притискање на ова копче го повторува циклусот голема/максимална/нормална брзина наизменично.

► **Сл.3:** 1. Копче ВКЛУЧИ/промени брзина 2. Копче ИСКЛУЧИ

Ламба за енергија на батеријата

Кога преостанатиот капацитет на батеријата ќе падне на ниско ниво, ламбата за енергија на батеријата почнува да трепка.

Кога преостанатиот капацитет на батеријата падне на многу ниско ниво, правосмукалката се исклучува и ламбата за енергија на батеријата се вклучува и свети околу 10 секунди. Во овој момент, наполнете ја батеријата.

Исто така, кога батеријата ќе се наполни премногу или ќе се прегрее, правосмукалката се исклучува и ламбата за енергија на батеријата се вклучува и свети околу 10 секунди. Правосмукалката не работи додека е вклучена ламбата.

► **Сл.4:** 1. Ламба за енергија на батеријата

НАПОМЕНА: Времето во кое ламбата за енергија на батеријата почнува да трепка или се вклучува зависи од температурата на работното место и условите на батеријата.

Вклучување на ламбата

⚠ВАЖНО: Не гледајте директно во светлината или во изворот на светлина.

За да ја вклучите ламбата, едноставно притиснете го копчето ВКЛУЧИ/промени брзина. Притиснете го копчето ИСКЛУЧИ за да ја исклучите ламбата. За време на активирањето на правосмукалката, ламбата се вклучува.

► **Сл.5:** 1. Копче ВКЛУЧИ/промени брзина 2. Копче ИСКЛУЧИ 3. Ламба

СОСТАВУВАЊЕ

⚠ВАЖНО: Пред да работите нешто на уредот, проверете дали е исклучен.

Вреќа за прав и хартиен филтер

Монтирајте вреќа за прав или хартиен филтер пред да започнете со употреба на правосмукалката. Користете го запирачот на прав кога имате монтирано вреќа за прав или хартиен филтер. Вреќата за прав може да се користи повеќекратно притоа чистејќи ја.

Хартиениот филтер служи за една употреба и се фрла во отпад по употребата. Кога ќе се наполни, фрлете го во отпад целиот хартиен филтер без да го празните.

ЗАБЕЛЕШКА: За да спречите влегување прав во моторот:

- Пред употребата, проверете дали се монтирани вреќата за прав или хартиениот филтер.
- Вметнете го запирачот на прав заедно со вреќата за прав или хартиениот филтер до крај во отворите кога ги монтирате.
- Не користете оштетена или кожата вреќа.

Во спротивно, моторот може да се оштети.

ЗАБЕЛЕШКА: Не виткајте го картонот на отворот на хартиениот филтер кога го монтирате.

ЗАБЕЛЕШКА: Никогаш не фрлајте го запирачот на прав бидејќи тој треба да се користи секогаш кога се користи вреќата за прав или хартиениот филтер.

ЗАБЕЛЕШКА: Хартиениот филтер за правосмукалката е важна компонента за одржување на перформансите на правосмукалката. Употребата на хартиен филтер што е поинаков од оригиналниот може да предизвика чадење или палење.

НАПОМЕНА: Кога вреќата за прав или хартиениот филтер не се инсталирани во правосмукалката, предниот капак не се затвора целосно.

► **Сл.6**

Монтирање на вреќата за прав

Користете го запирачот на прав кога ја монтирате вреќата за прав. Внимавајте да не ги побркате горната и долната страна, бидејќи се разликуваат меѓу себе.

- **Сл.7:** 1. Горна страна на запирачот на прав
2. Долна страна на запирачот на прав

1. Вметнете го испакнатиот дел од вреќата за прав во долниот жлеб на запирачот на прав како што е покажано на сликата.

- **Сл.8:** 1. Запирач на прав 2. Долен жлеб 3. Вреќа за прав

2. Не постои разлика помеѓу горната и долната страна на вреќата за прав. Може да го вметнете испакнатиот дел од која било страна во долниот жлеб на запирачот на прав.

- **Сл.9:** 1. Долен жлеб

3. Преклопете ја рамката на запирачот на прав со таа на вреќата за прав.

- **Сл.10**

4. Поставете ги запирачот на прав и вреќата за прав заедно во празнината на правосмукалката во иста насока на стрелката на запирачот на прав. Вметнете ги до крај во отворите во празнината на правосмукалката.

- **Сл.11**

5. Распределете го делот од платното на вреќата за прав внатре во правосмукалката.

- **Сл.12**

6. Целосно затворете го предниот капак.

- **Сл.13:** 1. Преден капак

Монтирање на хартиениот филтер

Користете го запирачот на прав и кога го монтирате хартиениот филтер. Внимавајте да не ги побркате горната и долната страна, бидејќи се разликуваат меѓу себе.

- **Сл.14:** 1. Горна страна на запирачот на прав
2. Долна страна на запирачот на прав

1. Одвиткајте го влезот на хартиениот филтер пред да го поставите на запирачот на прав.

- **Сл.15**

2. Вметнете го испакнатиот дел од хартиениот филтер во долниот жлеб на запирачот на прав како што е покажано на сликата.

- **Сл.16:** 1. Запирач на прав 2. Долен жлеб
3. Хартиен филтер

3. Не постои разлика помеѓу горната и долната страна на хартиениот филтер. Може да го вметнете испакнатиот дел од која било страна во долниот жлеб на запирачот на прав.

- **Сл.17:** 1. Долен жлеб

4. Преклопете ја рамката на запирачот на прав со онаа на хартиениот филтер.

- **Сл.18**

5. Поставете ги запирачот на прав и хартиениот филтер заедно во празнината на правосмукалката во иста насока како стрелката на запирачот на прав. Вметнете ги до крај во отворите во празнината на правосмукалката.

- **Сл.19**

6. Распределете го делот од склопот на хартиениот филтер внатре во правосмукалката.

- **Сл.20**

7. Целосно затворете го предниот капак.

- **Сл.21:** 1. Преден капак

РАБОТЕЊЕ

▲ВНИМАНИЕ: Не движете го лицето блиску до отворот за вентилација кога работите со правосмукалката. Ако туѓи објекти навлезат во очите, може да резултираат со лична повреда.

Монтирање или отстранување на додатокот на правосмукалката

▲ВНИМАНИЕ: По монтирање на додатокот, проверете дали е монтиран безбедно. Доколку додатокот е монтиран неправилно, може да се откачи и да предизвика телесна повреда.

▲ВНИМАНИЕ: Кога ќе го вадите додатокот, внимавајте да не ја удриете раката од сидот или слично.

Кога користите додаток со функција за заклучување

За монтирање на додатокот, вметнете го во отворот за смукање на правосмукалката додека не кликне. Погрижете се додатокот да се заклучи.

- **Сл.22:** 1. Отвор за смукање 2. Добавок со функција за заклучување 3. Кука 4. Копче за отпуштање

НАПОМЕНА: Кога ќе го монтирате додатокот со функција за заклучување, порамнете го копчето за отпуштање со куката на додатокот. Доколку не се порамнети, додатокот нема да се заклучи и може да се откачи од правосмукалката.

За вадење на додатокот, повлечете ја продолжната цевка додека го притискате копчето за отпуштање.

- **Сл.23:** 1. Копче за отпуштање 2. Добавок со функција за заклучување

Кога користите додаток без функција за заклучување

▲ВНИМАНИЕ: За да монтирате додаток без функција за заклучување, завртете го и вметнете го во насока на стрелката за да се обезбеди поврзувањето за време на работата. За да го отстраните додатокот, завртете го и извадете го, исто така во насока на стрелката.

- **Сл.24**

Чистење (смукање)

Додаток

Приклучете го додатокот за чистење маси, бироа, мебел и сл. Додатокот лесно влегува на место.

► **Сл.25:** 1. Додаток

Додаток + издолжувач (права цевка)

Издолжувачот влегува помеѓу додатокот и самата правосмукалка. Овој распоред е погоден за чистење во стоечка положба.

► **Сл.26:** 1. Тело на правосмукалката 2. Продолжна цевка 3. Додаток

Додаток за агли

Поставете го додатокот за агли за чистење на аглите и недостапните делови на седиштето за автомобилот или мебелот.

► **Сл.27:** 1. Додаток за агли 2. Тело на правосмукалката

Додаток за агли + продолжна цевка (права цевка)

На тесни недостапни места, каде што правосмукалката не може да се протне или на високи недофатни места, користете го овој распоред.

► **Сл.28:** 1. Додаток за агли 2. Продолжна цевка 3. Тело на правосмукалката

Чистење без додаток

Може да собирате прашина и прав без додатокот.

► **Сл.29**

За собирање прав на подот или во стоечка положба, погодно е да прикачите продолжна цевка на правосмукалката.

► **Сл.30:** 1. Продолжна цевка

Фрлање на правот во отпад

⚠ВНИМАНИЕ: Испразнете ја правосмукалката пред да се наполни прекумерно, во спротивно, ќе се намали силата на смукање.

⚠ВНИМАНИЕ: Кога го затворате предниот капак, внимавајте да не ги потфатите вашите прсти.

ЗАБЕЛЕШКА: Никогаш не фрлајте го запирачот на прав бидејќи тој треба да се користи секогаш кога се користат вреќата за прав или хартиениот филтер.

ЗАБЕЛЕШКА: Кога вреќата за прав/ хартиениот филтер не е во правосмукалката, предниот капак не се затвора целосно. Не форсирајте го затворањето на предниот капак. Тоа може да резултира со деформирање или кршење на правосмукалката.

ЗАБЕЛЕШКА: Кога го фрлате правот во отпад, исчистете го просторот за вреќата за прав/хартиениот филтер. Преостанатиот прав и нечистотијата во просторот може да предизвикаат сунѓерестиот филтер да се затне или моторот да се оштети.

1. Притиснете го копчето за да го отворите предниот капак. Отворањето додека не се слушне кликање овозможува позитивно сопирање во таа положба.

► **Сл.31:** 1. Преден капак 2. Копче

2. Извлечете ги истовремено портокалово обоениот запирач на прав и вреќата за прав/ хартиениот филтер.

► **Сл.32:** 1. Запирач на прав

3. Извршете ги постапките подолу зависно од типот сад за прав:

Кога ја користите вреќата за прав

Издадете го запирачот на прав и испразнете ја вреќата за прав.

► **Сл.33:** 1. Запирач на прав 2. Вреќа за прав

Кога го користите хартиениот филтер

Издадете го запирачот на прав и фрлете го хартиениот филтер во отпад.

► **Сл.34:** 1. Запирач на прав 2. Хартиен филтер

4. Ставете ги истовремено вреќата за прав/ хартиениот филтер и запирачот на прав во правосмукалката и затворете го предниот капак.

НАПОМЕНА: Правосмукалката е конструиран на таков начин што предниот капак се вади кога се обидувате да го отворите на агол поголем од 90°. Ако предниот капак се извади, вметнете го во спојката за предниот капак на своето место.

► **Сл.35:** 1. Преден капак 2. Спојка на предниот капак

ОДРЖУВАЊЕ

⚠ВНИМАНИЕ: Пред секоја проверка или одржување, осигурете се дека уредот е исклучен.

За да се одржи БЕЗБЕДНОСТА и СИГУРНОСТА на производот, поправките, одржувањата или дотерувањата треба да се вршат во овластени сервисни или фабрички центри на Makita, секогаш со резервни делови од Makita.

ЗАБЕЛЕШКА: За чистење, не користете нафта, бензин, разредувач, алкохол или слично. Тие средства ја вадат бојата и може да предизвикаат деформации или пукнатини.

По употреба

При складирање или полнење на правосмукалката, блокирајте ја главата на смукалката и закачете ја за кука што може да се купи во продавница.

► **Сл.36**

⚠ВНИМАНИЕ: Ако ја потпрете правосмукалката на ѕид без никаква поддршка, таа може да падне и да се оштети.

► **Сл.37**

Чистење

Тело на правосмукалката

Од време на време бришете ја надворешноста (телото на правосмукалката) на правосмукалката со помош на крпа натопена во вода со сапуница. Исто така, исчистете го отворот на смукалката, подрачјето за монтирање на вреќата за прав/хартниениот филтер и запирачот на прав.

► **Сл.38**

Запирач на прав

Избришете го правот од запирачот на прав. Отстранете ги правот и нечистотијата на делот со сунѓер нежно потчукнувајќи ги.

► **Сл.39:** 1. Дел со сунѓер

Вреќа за прав

Измийте ја вреќата за прав со вода со сапуница ако е затната со прав и со тоа моќноста на чистачот станала послаба. Целосно исушете ја пред употребата. Недоволно исушената вреќа може да предизвика намалена моќност на смукање и да го скрати работниот век на моторот.

► **Сл.40**

НАПОМЕНА: Хартниениот филтер служи за една употреба и се фрла во отпад по употребата.

Кога сунѓерестиот филтер е затнат со прав, извадете го од правосмукалката и избришете го или измијте го со вода.

Вадење и монтирање на сунѓерестиот филтер

▲ВНИМАНИЕ: Откако ќе го исчистите сунѓерестиот филтер, монтирајте го на правосмукалката. Ако сте го миеле со вода, исушете го пред да го монтирате. Ако сунѓерестиот филтер е недоволно исушен, тоа може да го скрати работниот век на моторот.

За да го извадите сунѓерестиот филтер, извадете ја вреќата за прав или хартниениот филтер, а потоа фатете го и извадете го сунѓерестиот филтер.

► **Сл.41:** 1. Сунѓерест филтер

За монтирање на филтерот, притиснете целосно на работ од сунѓерестиот филтер на вдлабнатиот сид внатре во подрачјето за монтирање на вреќата за прав/хартниениот филтер.

► **Сл.42:** 1. Вдлабнат сид

Чистење на главата на смукалката

(зависно од земјата)

Кога четката на главата ќе се извалка, исчистете го правот со леплива лента.

► **Сл.43:** 1. Четка

Сиден носач за безжична правосмукалка

Опционален прибор

НАПОМЕНА: Не е вклучен шрафот за монтирање на држачот. Подгответе шраф што одговара на материјалот во кој ќе се шрафи.

Поставете го сидниот носач за безжична правосмукалка на тврд дрвен сид, греда или столб, каде што сидниот носач за безжична правосмукалка може цврсто да се затегне. Пред да ја закачите правосмукалката, секогаш внимавајте сидниот носач за безжична правосмукалка добро да е прицврстен.

► **Сл.44:** 1. Сиден носач за безжична правосмукалка 2. Приклучок

▲ВНИМАНИЕ: Не закачувајте ја правосмукалката на сидниот носач со сила, ниту пак закачувајте други уреди освен правосмукалката.

НАПОМЕНА: Кога не ја полните правосмукалката, приклучокот може да се складира на сидниот носач за безжична правосмукалка, како што е прикажано.

Решавање проблеми

Пред да побарате поправка, проверете ги следниве точки.

Симптом	Подрачје што треба да се испита	Метод на зацврстување
Слаба сила на смукање	Дали вреќата за прав или хартниениот филтер се полни со прав?	Испразнете ја вреќата за прав или хартниениот филтер.
	Дали вреќата за прав е затната?	Испразнете го правот или измијте ја вреќата за прав.
	Дали хартниениот филтер е затнат?	Заменете го хартниениот филтер.
	Дали касетата со батерија е испразнета?	Променете ја касетата за батеријата.
Не работи	Дали касетата со батерија е испразнета?	Променете ја касетата за батеријата.
Капакот на кутијата за прав не се затвора	Дали вреќата за прав или хартниениот филтер се поставени?	Поставете ги вреќата за прав или хартниениот филтер.

ЗАБЕЛЕШКА: Не обидувајте се самите да ја поправате правосмукалката.

Фрлање на смукалката во отпад

Во смукалкава е вградена литиум-јонска батерија. Секогаш вадете ја пред да ја фрлите смукалката во отпад.

Вадење на вградената батерија

⚠ВНИМАНИЕ: Не допирајте ги контактите со никаков проводлив материјал.

⚠ВНИМАНИЕ: Избегнувајте да го складирате батерискиот уред во сад со други метални предмети како што се шајки, монети и сл.

⚠ВНИМАНИЕ: Не изложувајте го батерискиот уред на вода или дожд.

⚠ВНИМАНИЕ: Немојте да го расклопувате или модификувате батерискиот уред.

⚠ВНИМАНИЕ: Смукалката мора да се исклучи од напојување кога се отстранува батеријата.

1. За да го извадите задниот капак, турнете го во насока на стрелката.

► Сл.45: 1. Заден капак

2. Лизнете ја вградената батерија до половина. Откачете ги водечките кабли од батеријата полека движејќи ја назазад додека притискате на конекторот во насока на стрелката, како што е прикажано на сликата.

► Сл.46: 1. Конектор 2. Доводни жици

3. Потоа, целосно лизнете го батерискиот уред.

► Сл.47: 1. Батериски уред

4. Поставете го извадениот батериски уред во картонска кутија за да не дојде до краток спој.

Инсталирање резервна батерија

За да инсталирате резервна батерија, следете ја постапката за вадење по обратен редослед.

⚠ВНИМАНИЕ: Поставете го водечкиот кабел, така што целосно ќе биде складирани во правосмукалката, пред да го вратите задниот капак во првобитната положба. Во спротивно, водечкиот кабел може да се оштети.

► Сл.48

По инсталирањето на батеријата (видете „СПЕЦИФИКАЦИИ“), наполнете ја пред употреба.

ОПЦИОНАЛЕН ПРИБОР

⚠ВНИМАНИЕ: Овој прибор или додатоци се препорачуваат за користење со уредот од Makita дефиниран во упатството. Со користење друг прибор или додатоци може да се изложите на ризик од телесни повреди. Користете ги приборот и додатоците само за нивната назначена намена.

Ако ви треба помош за повеќе детали за приборот, прашајте во локалниот сервисен центар на Makita.

- Издолжувач (права цевка)
- Добавок
- Добавок за тепих
- Четка за полици
- Добавок за агли
- Кружна четка
- Флексибилно црево
- Хартиен филтер
- Сиден носач за безжична правосмукалка
- Резервна батерија
- Наставка
- Добавок за седишта
- Добавок за уреди
- Прилог циклон

НАПОМЕНА: Некои ставки на листата може да се вклучени со пакетот уреди како стандарден прибор. Тие може да се разликуваат од држава до држава.

УПОЗОРЕЊЕ

Деца старија од 8 година, особе са ограниченим физичким, сензорним или менталним способностима, као и особе без искуства и знања могу да користе овај апарат ако су под надзором или су били поучени о безбедној употреби апарата и разумеју потенцијалне опасности у вези са његовом употребом. Деца не смеју да се играју апаратом. Деца не смеју да чисте апарат и да обављају корисничко одржавање без надзора.

ТЕХНИЧКИ ПОДАЦИ

Модел:		CL114FD
Капацитет	са врећом за прашину	500 мл
	са папирним филтером	330 мл
Коришћење (са батеријом BL1020V)	3 (Режим највеће брзине)	Приближ. 10 мин
	2 (Режим велике брзине)	Приближ. 18 мин
	1 (Режим нормалне брзине)	Приближ. 55 мин
Укупна дужина	Тело чистача	458 мм
	Са продужном цеви и млазницом	983 мм
Нето тежина		1,1 кг
Номинални напон		DC 10,8 V – 12 V макс.

- На основу нашег непрестаног истраживања и развоја задржавамо право измена наведених техничких података без претходне најаве.
- Спецификације могу да се разликују у различитим земљама.
- Тежина не укључује прибор.

Применљив уложак батерије и пуњач

Уложак батерије	Пуњач батерије	Време пуњења (sat)
BL1020V	DC1002	2,0

- Време пуњења зависи од температуре (10 °C (50 °F) – 40 °C (104 °F)) при којој се пуни уложак батерије и од његовог стања, на пример, у зависности од тога да ли се пуни нови уложак батерије или онај који дуго није коришћен.

⚠ УПОЗОРЕЊЕ: Користите само горенаведене улошке батерије и пуњаче. Коришћење других уложака батерије и пуњача може узроковати повреде и/или пожар.

Симболи

У наставку су приказани симболи који се односе на опрему. Пре употребе се обавезно упознајте са њиховим значењем.



Прочитајте упутство за употребу.



Одвојива јединица за напајање



Само за земље ЕУ
Немојте да одлажете електричну опрему или батерију заједно са отпадом из домаћинства! У складу са европским директивама о електричном и електронском отпаду, батеријама и акумулаторима и истрошеним батеријама и акумулаторима и применом ових директива у складу са државним законима, електричну опрему, батерије и њихова паковања на крају радног века неопходно је одвојено прикупити и вратити у еколошки прихватљиво постројење за рециклажу.

Намена

Овај уређај је намењен за сакупљање суве прашине.

БЕЗБЕДНОСНА УПОЗОРЕЊА

Безбедносна упозорења за бежични чистач

▲ УПОЗОРЕЊЕ: ВАЖНО ПАЖЉИВО ПРОЧИТАЈТЕ сва безбедносна упозорења и упутства ПРЕ КОРИШЋЕЊА. Непоштовање упозорења и упутстава може изазвати струјни удар, пожар и/или тешке телесне повреде.

1. Алат немојте излагати киши. Чувајте у затвореном.
2. Не дозволите да се алат користи као играчка. Неопходна је велика пажња приликом коришћења алата од стране или у близини деце.
3. Користите алат само на начин описан у овом приручнику. Користите искључиво наставке које препоручује произвођач.
4. Немојте да користите алат са оштећеном батеријом. Ако апарат не ради правилно, ако се испусти, оштети, остави напољу или упадне у воду, вратите га у сервисни центар.
5. Немојте руковати апаратом мокрым рукама.
6. Не стављајте никакве предмете у отворе. Немојте да користите алат ако је неки отвор блокиран; уклањајте прашину, отпатке од предива, длаке и све што би могло да умањи проток ваздуха.
7. Држите косу, широку одећу, прсте и све делове тела даље од отвора и покретних делова.
8. Пре уклањања батерије искључите све контроле.
9. Будите нарочито пажљиви када чистите док сте на степеницама.
10. Немојте да користите уређај за сакупљање запаљивих течности као што је бензин, или у подручјима у којима би оне могле да буду присутне.
11. За пуњење користите искључиво пуњач који је доставио произвођач.
12. Немојте да сакупљате ништа што гори или се дими, као што су цигарете, шибице или врели пепео.
13. Немојте да користите уређај без постављене вреће за прашину и/или филтера.
14. Немојте да пуните батерију на отвореном.
15. Пуните батерију искључиво помоћу пуњача који је навео произвођач. Ако се пуњач који је намењен за одређену врсту батерије користи са другом батеријом, може да дође до опасности од пожара.

16. Електричне алате користите само са батеријама које су предвиђене за њих. Коришћење других врста батерија може да изазове ризик од повреде и пожара.
17. Када се батерија не користи, држите је даље од других металних предмета, полуп спајалица, новчића, кључева, ексера, завртања и других малих металних предмета који могу да преспоје два прикључка.
18. У случају злоупотребе батерије из ње може исцурити течност. У том случају, пазите да не дођете у додир с њом. Ако случајно дођете у додир с батеријом, исперите место додира водом.
19. Немојте да користите батерију или алат који су оштећени или модификовани. Оштећене или модификоване батерије могу испољити непредвидиво понашање које може довести до пожара, експлозије или ризика од задобијања повреда.
20. Немојте да излагате батерију или алат ватри или високој температури. Излагање ватри или температури изнад 130 °C може довести до експлозије.
21. Придржавајте се свих упутстава за пуњење и немојте да пуните батерију или алат изнад опсега температуре који је наведен у упутствима. Неисправно пуњење или пуњење на температурама изнад наведеног опсега може оштетити батерију и повећати ризик од пожара.

САЧУВАЈТЕ ОВО УПУТСТВО.

ДОДАТНА БЕЗБЕДНОСНА ПРАВИЛА

Овај уређај је намењен за кућну употребу.

1. Пре употребе пажљиво прочитајте овај приручник са упутствима и приручник са упутствима за пуњач.
2. Немојте да скупљате следеће материјале:
 - Вреле материјале, као што су запаљене цигарете или варнице / метална прашина настала брушењем/сецењем метала
 - Запаљиве материјале као што су бензин, разређивач, керозин или фарба
 - Експлозивне материјале као што је нитроглицерин
 - Запаљиве материјале као што су алуминијум, цинк, магнезијум, титанијум, фосфор или целулоид
 - Мокру прашину, воду, уље и слично
 - Чврсте предмете са оштрим ивицама, као што су опилци дрвета, метали, камен, стакло, ексери, клинови или жилети
 - Прах који се згрушава, као што је цемент или тонер
 - Проводну прашину попут металне или угљене прашине
 - Фине честице, као што је бетонска прашина

То би могло да доведе до пожара, повреде и/или оштећења имовине.

- Одмах престаните са радом ако приметите било шта необично.
- Ако испустите или ударите чистач, пре рада пажљиво проверите да ли на њему има пукотина или оштећења.
- Немојте да користите уређај у близини шпорета или других топлотних извора.
- Немојте да блокирате улазни отвор или вентилационе отворе.

САЧУВАЈТЕ ОВО УПУТСТВО.

ВАЖНА БЕЗБЕДНОСНА УПУТСТВА

ЗА УГРАЂЕНУ БАТЕРИЈУ

- Пре употребе уграђене батерије, прочитајте сва упутства и безбедносне ознаке на (1) пуњачу батерије, (2) батерији и (3) производу који користи батерију.
- Немојте да расклапате уграђену батерију.
- Ако се време рада знатно скратило, одмах престаните са коришћењем. То може да доведе до ризика од прегревања, могућих опекотина, па чак и експлозије.
- Ако електролит доспе у очи, исперите их чистом водом и одмах затражите помоћ лекара. То може да доведе до губитка вида.
- Немојте да изазивате кратак спој на уграђеној батерији:
 - Немојте додиривати прикључке било којим проводним материјалом.
 - Избегавајте складиштење уграђене батерије у контејнеру са другим металним предметима као што су ексери, новчићи итд.
 - Немојте да излажете уграђену батерију води или киши. Кратак спој батерије може да доведе до великог протока струје, прегревања, могућих опекотина, па чак и прегоривања.
- Немојте да складиштите и користите алат и уграђену батерију на местима где температура може да достигне или премашу 50 °C (122 °F).
- Немојте да палите уграђену батерију чак ни ако је озбиљно оштећена или потпуно похабана. Уграђена батерија може да експлодира у ватри.
- Пазите да не испустите и не ударите батерију.
- Немојте да користите оштећену уграђену батерију.
- Садржане литијум-јонске батерије подлежу Закону о превозу опасних материја. Када одлажете батерију на отпад, извадите је из алата и одложите на безбедно место. Придржавајте се локалних прописа у вези са одлагањем батерије.
- Батерије користите само са производима које је навела компанија Makita.

САЧУВАЈТЕ ОВО УПУТСТВО.

Савети за максимално трајање батерије

- Напуните уграђену батерију пре него што се потпуно испразни. Сваки пут прекините рад са алатом и напуните уграђену батерију када приметите да је снага алата слабија.
- Никада немојте да допуњавате потпуно напуњену уграђену батерију. Препуњавање скраћује радни век батерије.
- Пуните уложак батерије на собној температури између 10°C и 40°C (између 50°F и 104°F). Пустите да се врућа уграђена батерија охлади пре пуњења.
- Напуните уграђену батерију на сваких шест месеци ако не користите алат током дужег временског периода.

ОПИС НАЧИНА ФУНКЦИОНИСАЊА

▲ПАЖЊА: Увек проверите да ли је апарат искључен пре подешавања или провере функција апарата.

Пуњење уграђене батерије

▲ПАЖЊА: Користите само оригиналне Makita батерије. Коришћење Makita батерија које нису оригиналне или батерија које су измењене може да доведе до пуцања батерије, које може да изазове пожар, телесне повреде или штету. То ће такође поништити гаранцију компаније Makita за Makita производ и пуњач.

▲ПАЖЊА: Увек скините утикач за пуњење са чистача након пуњења.

▲ПАЖЊА: Немојте остављати пуњач у утикачу након што одспојите уређај. Мала деца могу да ставе утикач под напоном у уста и да се повредe.

Напуните чистач када га користите први пут или када га нисте пунили дуже време. Повежите утикач за пуњење са прикључком за пуњење, а затим укључите пуњач у утичницу.

► **Слика1:** 1. Прикључак за пуњење

Лампица батерије се пали и почиње пуњење. Лампица се гаси када се пуњење заврши. За више информација погледајте приручник са упутствима за пуњач батерије.

► **Слика2:** 1. Лампица батерије

ОБАВЕШТЕЊЕ: Ако су батерија или чистач изложени изузетно високом температурама, лампица батерије трепери и батерија не може да се пуни.

НАПОМЕНА: Чистач не може да се контролише током пуњења. Да бисте укључили чистач, искључите пуњач са извора напајања, скините утикач за пуњење са чистача, а затим притисните дугме за УКЉУЧИВАЊЕ / промену брзине.

НАПОМЕНА: Батерија се приближава крају радног века (или је оштећена / неисправна) у следећим условима. Искључите пуњач са извора напајања, а затим замените батерију.

- Лампица батерије се искључује недуго након што почнете да пуните чистач.
- Након што је батерија потпуно напуњена, чистач ради само током периода краће од половине уобичајеног времена рада.

НАПОМЕНА: Батерија може да се пуни до приближно 500 пута. Време пуњења зависи од услова под којим се батерија пунила и празнила.

Функционисање прекидача

ПАЖЊА: Након сваког коришћења, увек искључите чистач да бисте спречили оштећење чистача и продужили радни век батерија.

Да бисте укључили чистач, једноставно притисните дугме за УКЉУЧИВАЊЕ / промену брзине. За искључивање притисните дугме за ИСКЉУЧИВАЊЕ. Брзину чистача можете да промените у три корака тако што ћете притиснути дугме за УКЉУЧИВАЊЕ / промену брзине. Први притисак на дугме је за режим велике брзине, други је за режим највеће брзине и трећи је за нормалну брзину. Сваким притиском на овај тастер понавља се циклус веће/највеће/нормалне брзине.

► **Слика3:** 1. Дугме за УКЉУЧИВАЊЕ / промену брзине 2. Дугме за ИСКЉУЧИВАЊЕ

Лампица батерије

Када се преостали капацитет батерије смањи лампица батерије трепће.
Када се преостали капацитет батерије много смањи, чистач се зауставља и лампица батерије светли око 10 секунди. Тада треба да напуните батерију.
Када се батерија преоптерети или прегреје, чистач се зауставља и лампица батерије светли око 10 секунди. Чистач се не покреће док лампица светли.

► **Слика4:** 1. Лампица батерије

НАПОМЕНА: Када ће се лампица батерије упалити или почети да трепће зависи од температуре радног окружења и стања батерије.

Укључивање лампе

ПАЖЊА: Немојте да гледате у лампу ни директно у извор светлости.

Да би се укључила лампа, притисните дугме за УКЉУЧИВАЊЕ / промену брзине. Да би се искључила лампа, притисните дугме за ИСКЉУЧИВАЊЕ. Лампа ће се укључити током покретања чистача.

► **Слика5:** 1. Дугме за УКЉУЧИВАЊЕ / промену брзине 2. Дугме за ИСКЉУЧИВАЊЕ 3. Лампа

СКЛАПАЊЕ

ПАЖЊА: Пре извођења радова на апарату увек проверите да ли је апарат искључен.

Врећа за прашину и папирни филтер

Пре употребе чистача поставите или врећу за прашину или папирни филтер.
Приликом постављања вреће за прашину или папирног филтера користите затварач против прашине.
Врећу за прашину можете да користите више пута након што је испразните.
Папирни филтер се баца. Баците цели папирни филтер без пражњења када се напуни.

ОБАВЕШТЕЊЕ: Да бисте спречили да прашина доспе у мотор:

- Постарајте се да пре употребе буду постављени врећа за прашину или папирни филтер.
- Поставите затварач против прашине до краја у прорезе заједно са врећом за прашину или папирним филтером.
- Немојте користити оштећену или поцепану врећу.

У супротном, мотор може да се поквари.

ОБАВЕШТЕЊЕ: Немојте да савијате картон на њеном отвору када постављате папирни филтер.

ОБАВЕШТЕЊЕ: Никада не бацајте затварач против прашине јер он мора да се користи увек када користите врећу за прашину или папирни филтер за прашину.

ОБАВЕШТЕЊЕ: Папирни филтер за чистач је значајна компонента за функционисање чистача. Коришћење било ког другог папирног филтера осим оригиналног може довести до дима или паљења.

НАПОМЕНА: Када врећа за прашину или папирни филтер нису постављени у чистач, предњи пролаз кућишта се не затвара до краја.

► **Слика6**

Постављање вреће за прашину

Приликом постављања вреће за прашину користите затварач против прашине. Водите рачуна да не помешате горњу и доњу страну јер се оне међусобно разликују.

► **Слика7:** 1. Горња страна затварача против прашине 2. Доња страна затварача против прашине

1. Убаците избочину на врећи за прашину у доњи жлеб на затварачу против прашине као што је приказано на слици.

► **Слика8:** 1. Затварач против прашине 2. Доњи жлеб 3. Врећа за прашину

2. Нема разлике између горње и доње стране вреће за прашину. Можете да убаците избочину на било којој страни у доњи жлеб затварача против прашине.

► **Слика9:** 1. Доњи жлеб

3. Оквир затварача против прашине преклопите са оквиром вреће за прашину.

► **Слика10**

4. Поставите затварач против прашине и врећу за прашину у шупљину чистача, у смеру стрелице на затварачу против прашине. Убаците их до краја у прорезе у шупљини чистача.

► **Слика11**

5. Раширите платнени део вреће за прашину унутар чистача.

► **Слика12**

6. Потпуно затворите предњи поклопац.

► **Слика13:** 1. Предњи поклопац

Постављање папирног филтера

Користите затварач против прашине и када постављате папирни филтер. Водите рачуна да не помешате горњу и доњу страну јер се оне међусобно разликују.

► **Слика14:** 1. Горња страна затварача против прашине 2. Доња страна затварача против прашине

1. Размотајте улазни део папирног филтера пре него што га поставите на затварач против прашине.

► **Слика15**

2. Убаците избочину на папирном филтеру у доњи жлеб на затварачу против прашине као што је приказано на слици.

► **Слика16:** 1. Затварач против прашине 2. Доњи жлеб 3. Папирни филтер

3. Нема разлике између горње и доње стране папирног филтера. Можете да убаците избочину на било којој страни у доњи жлеб затварача против прашине.

► **Слика17:** 1. Доњи жлеб

4. Оквир затварача против прашине преклопите са оквиром папирног филтера.

► **Слика18**

5. Поставите затварач против прашине и папирни филтер у шупљину чистача, у смеру стрелице на затварачу против прашине. Убаците их до краја у прорезе у шупљини чистача.

► **Слика19**

6. Раширите сабирни део папирног филтера унутар чистача.

► **Слика20**

7. Потпуно затворите предњи поклопац.

► **Слика21:** 1. Предњи поклопац

РАД

ПАЖЊА: Не приближавајте лице вентилационом отвору док чистач ради. Ако одувате страна тела у очи, могуће су телесне повреде.

Постављање или уклањање додатка чистача

ПАЖЊА: Након постављања додатка, уверите се да је постављен чврсто. Ако додатак није добро постављен, може да спадне и изазове телесне повреде.

ПАЖЊА: Обратите пажњу да не ударите руком о зид и слично док уклањате додатак.

Када користите додатак са функцијом закључавања

Да бисте поставили додатак, уметните га у улаз за усисавање чистача тако да налегне. Уверите се да је додатак причвршћен.

► **Слика22:** 1. Улаз за усисавање 2. Додатак са функцијом закључавања 3. Кука 4. Дугме за отпуштање

НАПОМЕНА: Када постављате додатак са функцијом закључавања, поравнајте дугме за отпуштање са куком на додатку. Ако нису поравнати, додатак није причвршћен и може да спадне са чистача.

Да бисте уклонили додатак, повуците га док притискате дугме за отпуштање.

► **Слика23:** 1. Дугме за отпуштање 2. Додатак са функцијом закључавања

Када користите додатак без функције закључавања

ПАЖЊА: Да бисте поставили додатак без функције закључавања, убаците га уз окретање у смеру стрелице да бисте обезбедили сигуран спој током употребе. Да бисте уклонили додатак, извучите га уз окретање у смеру стрелице.

► **Слика24**

Чишћење (усисавање)

Млазница

Поставите млазницу за чишћење столова, радних столова, намештаја итд. Млазница се лако навлачи.

► **Слика25:** 1. Млазница

Млазница + продужна цев (права цев)

Продужна цев се убацује између млазнице и самог чистача. Овај склоп је погодан за чишћење подова из усправног положаја.

► **Слика26:** 1. Тело чистача 2. Продужна цев 3. Млазница

Угаона цев

Поставите угаону цев за чишћење ћошкова и превоја на седиште аутомобила или намештај.

► **Слика27:** 1. Угаона цев 2. Тело чистача

Угаона цев + продужна цев (права цев)

Овај склоп користите у скученим просторима у које не може да стане сам чистач, или на високим местима која је тешко дохватити.

► **Слика28:** 1. Угаона цев 2. Продужна цев 3. Тело чистача

Чишћење без млазнице

Прах и праšину можете да уклоните без млазнице.

► **Слика29**

Додавање продужне цеви на чистач је практично решење за сакупљање праšине са пода у стајаћем положају.

► **Слика30:** 1. Продужна цев

Одлагање праšине

▲ПАЖЊА: Испразните чистач пре него што се превисе напуни или пре него што се смањи усисна снага.

▲ПАЖЊА: Приликом затварања предњег поклопаца пазите да не уштинете прсте.

ОБАВЕШТЕЊЕ: Никада не бацајте затварач против праšине јер би он требало да се користи увек када користите врећу за праšину или папирни филтер.

ОБАВЕШТЕЊЕ: Када врећа за праšину или папирни филтер нису постављени унутар чистача, предњи поклопац се не затвара до краја. Немојте на силу затварати предњи поклопац. То може да доведе до кривљења или лома чистача.

ОБАВЕШТЕЊЕ: Када одложите праšину у отпад, очистите и простор за папирни филтер/ врећу за праšину. Ако у том простору остане праšине и прљавштине, сунђерасти филтер може да се запуши и може да дође до оштећења мотора.

1. Притисните тастер за отварање предњег поклопаца. Када се приликом отварања зачује клик, предњи поклопац се зауставља у том положају.

► **Слика31:** 1. Предњи поклопац 2. Дугме

2. Истовремено извуците наранџасти затварач против праšине и врећу за праšину/папирни филтер.

► **Слика32:** 1. Затварач против праšине

3. Извршите поступак у наставку у зависности од типа резервоара за праšину:

Када користите врећу за праšину

Уклоните затварач против праšине и испразните врећу за праšину.

► **Слика33:** 1. Затварач против праšине 2. Врећа за праšину

Када користите папирни филтер

Уклоните затварач против праšине и одложите папирни филтер у отпад.

► **Слика34:** 1. Затварач против праšине 2. Папирни филтер

4. Поставите врећу за праšину/нови папирни филтер и затварач против праšине заједно у чистач и затворите предњи поклопац.

НАПОМЕНА: Чистач је направљен тако да се предњи поклопац скида када на силу покушава да се отвори под углом већим од 90°. Ако се предњи поклопац скине, вратите га на место тако што ћете га поставити на спојницу предњег поклопаца.

► **Слика35:** 1. Предњи поклопац 2. Спојница предњег поклопаца

ОДРЖАВАЊЕ

▲ПАЖЊА: Пре него што почнете са прегледом или одржавањем апарата, увек проверите да ли је апарат искључен.

БЕЗБЕДАН и ПОУЗДАН рад производа гарантујемо само ако поправке и свако друго одржавање или подешавање препустите овлашћеном сервису компаније Makita или фабричком сервису, уз употребу оригиналних резервних делова компаније Makita.

ОБАВЕШТЕЊЕ: Никад немојте да користите нафту, бензин, разређивач, алкохол и слична средства. Може доћи до губитка боје, деформације или оштећења.

Након употребе

Приликом одлагања или пуњења чистача, закључајте главу млазнице и окачите је за куку која је доступна на тржишту.

► **Слика36**

▲ПАЖЊА: Ако чистач наслоните на зид без икакве друге потпоре, он може да падне и оштети се.

► **Слика37**

Чишћење

Тело чистача

С времена на време обришите спољашњост (кућиште) чистача помоћу тканине натопљене сапуницом.

Такође очистите усисни отвор, подручје за монтажу вреће за праšину / папирног филтера и затварач против праšине.

► **Слика38**

Затварач против праšине

Пребришите праšину са затварача против праšине. Уклоните праšину и прљавштину са сунђерастог дела тако што ћете га благо лупкати.

► **Слика39:** 1. Сунђерасти део

Врећа за прашину

Врећу за прашину оперите сапуницом када се запуши од прашине и када се смањи снага чистача. Добро је осушите пре употребе. Недовољно осушена врећа може да доведе до лошег усисавања и скрати радни век мотора.

► **Слика40**

НАПОМЕНА: Папирни филтер се баца.

Када се прашина нагоммила на сунђерастом филтеру, скините га са чистача и обришите га или оперите водом.

Скидање и постављање сунђерастог филтера

▲ПАЖЊА: Након чишћења сунђерастог филтера обавезно га поставите у чистач. Ако га перете водом, осушите га пре постављања. Недовољно осушен сунђерасти филтер може да скрати радни век мотора.

Да бисте скинули сунђерасти филтер, уклоните врећу за прашину или папирни филтер, а затим ухватите сунђерасти филтер прстима и извуците га.

► **Слика41:** 1. Сунђерасти филтер

Да бисте поставили филтер, утисните целу ивицу сунђерастог филтера у увучени зид у подручју за монтажу вреће за прашину / папирног филтера.

► **Слика42:** 1. Увучени зид

Решавање проблема

Пре него што затражите поправку, проверите следеће ставке.

Симптом	Шта треба проверити	Начин поправке
Мала усисна снага	Да ли су врећа за прашину или папирни филтер пуни прашине?	Испразните врећу за прашину или папирни филтер.
	Да ли је врећа за прашину запушена?	Истресите или оперите врећу за прашину.
	Да ли је папирни филтер запушен?	Замените папирни филтер.
	Да ли се уложак батерије испразнио?	Напуните уложак батерије.
Не ради	Да ли се уложак батерије испразнио?	Напуните уложак батерије.
Поклопац кућишта за прашину се не затвара	Да ли су врећа за прашину или папирни филтер постављени?	Поставите врећу за прашину или папирни филтер.

ОБАВЕШТЕЊЕ: Не покушавајте да сами поправите чистач.

Одлагање чистача

У овај чистач уграђена је литијум-јонска батерија. Увек је скините пре одлагања чистача.

Чишћење млазнице

(у зависности од земље)

Када се четкица млазнице задрља, очистите је лепљивом траком.

► **Слика43:** 1. Четка

Зидни носач за бежични чистач

Опциони додатни прибор

НАПОМЕНА: Завртањ за монтирање зидног носача није укључен. Припремите завртањ који одговара материјалу у који га постављате.

Поставите зидни носач за бежични чистач на чврсти зид од дрвета, греду или стуб, на место на којем зидни носач за бежични чистач може безбедно да се причврсти. Увек се уверите да је зидни носач за бежични чистач добро причвршћен пре него што окачите чистач.

► **Слика44:** 1. Зидни носач за бежични чистач
2. Утикач

▲ПАЖЊА: Немојте насилно да качите чистач на зидни носач и немојте да качите друге апарате.

НАПОМЕНА: Када не пуните чистач, утикач може да се одложи на зидни носач за бежични чистач на начин приказан на слици.

Уклањање уграђене батерије

▲ПАЖЊА: Немојте додиривати прикључке било којим проводним материјалом.

▲ПАЖЊА: Избегавајте чување јединице батерије у контејнеру са другим металним предметима као што су ексери, новчићи итд.

▲ПАЖЊА: Немојте да излажете јединицу батерије води или киши.

▲ПАЖЊА: Немојте да расклапате или мењате јединицу батерије.

▲ПАЖЊА: Чистач мора бити одспојен из напајања приликом уклањања батерије.

1. За скидање задњег поклопаца, притисните га у смеру стрелице.

► **Слика45:** 1. Задњи поклопац

2. Гурните уграђену батерију до пола. Скините главне водове са батерије тако што ћете нежно гурнути батерију уназад док притискате спојницу у смеру стрелице, као што је приказано на слици.

► **Слика46:** 1. Спојница 2. Главни водови

3. Затим у потпуности извучите јединицу батерије.

► **Слика47:** 1. Јединица батерије

4. Ставите скинуту јединицу батерије у картонску кутију тако да не дође до кратког споја.

Постављање заменске батерије

Да бисте поставили заменску батерију, примените поступак за скидање обрнутим редоследом.

⚠ ПАЖЊА: Поставите водове тако да буду у потпуности унутар усисивача пре него што поставите задњи поклопац у првобитни положај. У супротном може да дође до оштећења водова.

► **Слика48**

Након постављања батерије (погледајте СПЕЦИФИКАЦИЈЕ), напуните батерију пре употребе.

ОПЦИОНИ ПРИБОР

⚠ ПАЖЊА: Овај прибор и додаци су предвиђени за употребу са Makita уређајем описаним у овом упутству за употребу. Употреба других додатака и прибора може да доведе до телесних повреда. Прибор или додатке користите искључиво за предвиђену намену.

Да бисте добили више детаља у вези са овим прибором, обратите се локалном сервисном центру компаније Makita.

- Продужна цев (права цев)
- Млазница
- Млазница за тепих
- Четка за полице
- Угаона цев
- Округла четка
- Савитљиво црево
- Папирни филтер
- Зидни носач за бежични чистач
- Заменска батерија
- Слободна млазница
- Млазница за седишта
- Млазница за превоје
- Додатак за циклон

НАПОМЕНА: Поједине ставке на листи могу бити укључене у садржај паковања апарата као стандардни прибор. Оне се могу разликовати од земље до земље.

AVERTIZARE

Acest aparat poate fi utilizat de copiii cu vârsta de cel puțin 8 ani și de persoanele cu capacități fizice, senzoriale sau mentale reduse, sau lipsite de experiență și cunoștințe doar dacă sunt supravegheate sau au fost instruite cu privire la utilizarea aparatului în siguranță și înțeleg pericolele implicate. Copiii nu au voie să folosească acest aparat ca jucărie. Curățarea și întreținerea nu vor fi efectuate de copii nesupravegheați.

SPECIFICAȚII

Model:		CL114FD
Capacitate	cu un sac de praf	500 ml
	cu un filtru de hârtie	330 ml
Utilizare continuă (cu acumulatorul BL1020V)	3 (Mod viteză max.)	Aprox. 10 min
	2 (Mod viteză ridicată)	Aprox. 18 min
	1 (Mod viteză normală)	Aprox. 55 min
Lungime totală	Corp aspirator	458 mm
	Cu tub de extensie și duză	983 mm
Greutate netă		1,1 kg
Tensiune nominală		Max. 10,8 V - 12 V cc.

- Datorită programului nostru continuu de cercetare și dezvoltare, specificațiile pot fi modificate fără o notificare prealabilă.
- Specificațiile pot varia în funcție de țară.
- Greutatea nu include și accesoriiile.

Cartușul acumulatorului și încărcătorul aplicabile

Cartușul acumulatorului	Încărcătorul acumulatorului	Durată de încărcare (ore)
BL1020V	DC1002	2,0

- Durata de încărcare variază în funcție de temperatura (10 °C (50 °F) – 40 °C (104 °F)) la care este încărcat cartușul acumulatorului și de starea cartușului acumulatorului, cum ar fi un cartuș al acumulatorului care este nou sau care nu a fost utilizat pentru o perioadă lungă de timp.

⚠️ AVERTIZARE: Utilizați numai cartușele de acumulator și încărcătoarele enumerate mai sus. Utilizarea oricăror altor cartușe de acumulator și încărcătoare poate duce la rănire și/sau incendiu.

Simboluri

Mai jos sunt prezentate simbolurile care pot fi utilizate pentru echipament. Asigurați-vă că înțelegeți sensul acestora înainte de utilizare.



Citiți manualul de utilizare.



Unitate de alimentare detașabilă



Ni-MH
Li-ion

Doar pentru țările din cadrul UE
Nu aruncați aparatele electrice sau acumulatorii în gunoii menajer! În conformitate cu Directiva europeană privind deșeurile de echipamente electrice și electronice, bateriile și acumulatorii, precum și bateriile și acumulatorii reziduale și implementarea acestora conform legislației naționale, echipamentele electrice și bateriile și acumulatorii care au ajuns la sfârșitul duratei de viață trebuie colectate separat și reciclate corespunzător în vederea protejării mediului.

Destinația de utilizare

Acest aparat este destinat colectării prafului uscat.

AVERTIZĂRI DE SIGURANȚĂ

Avertismente privind siguranța pentru aspiratorul cu acumulator

⚠️ AVERTIZARE: IMPORTANT CITIȚI CU ATENȚIE toate avertizările de siguranță și toate instrucțiunile ÎNAINTE DE UTILIZARE. Nerespectarea acestor avertismente și instrucțiuni poate avea ca rezultat electrocutarea, incendiul și/ sau rănirea gravă.

1. Nu expuneți la ploaie. Depozitați în spații interioare.
2. Nu permiteți utilizarea acestuia ca jucărie. Acordați atenție utilizării acestuia de către copii sau în apropierea copiilor.
3. Utilizați doar în modul descris în acest manual. Utilizați doar accesoriile recomandate de producător.
4. Nu folosiți cu un acumulator uzat. În cazul în care aparatul nu funcționează corespunzător, a suferit șocuri, este deteriorat, a fost depozitat în exterior sau a fost scăpat în apă, returnați-l la un centru de service.
5. Nu manipulați aparatul cu mâinile umede.
6. Nu introduceți obiecte în orificii. A nu se utiliza cu orificiile blocate; ferțiți de praf, scame, păr și orice alte materiale care pot obstrucționa fluxul de aer.
7. Nu vă apropiați părul, hainele largi, degetele și celelalte părți ale corpului de deschideri și de piesele mobile.
8. Dezactivați toate comenzile înainte de a scoate acumulatorul.
9. Acordați atenție specială la curățarea pe trepte.
10. Nu utilizați la colectarea unor lichide inflamabile sau combustibile, cum ar fi benzina și nu utilizați în zone în care acestea ar putea fi prezente.
11. Utilizați doar încărcătorul furnizat de producător pentru reîncărcare.
12. Nu colectați obiecte care ard sau fumegă, cum ar fi țigări, chibrituri sau cenușă fierbinte.
13. Nu utilizați fără sac de praf și/sau filtre montate.
14. Nu încărcați acumulatorul în exterior.
15. Efectuați reîncărcarea numai cu încărcătorul specificat de producător. Un încărcător adecvat pentru un anumit tip de acumulator poate prezenta risc de incendiu dacă este utilizat cu alt tip de acumulator.

16. Folosiți mașinile electrice numai cu acumulatorii special destinați acestora. Utilizarea altor acumulatori poate prezenta risc de rănire și de incendiu.
17. Când nu folosiți acumulatorul, țineți-l la distanță de obiecte metalice precum agrafe de birou, monede, chei, cuie, șuruburi sau alte obiecte metalice mici, ce pot constitui o legătură între cele două borne.
18. În condiții extreme, lichidul poate fi eliminat din acumulator; evitați contactul cu acesta. Dacă intrați în contact accidental, clătiți bine cu apă zona afectată.
19. Nu utilizați un acumulator sau o unealtă care este avariată sau modificată. Bateriile avariate sau modificate pot prezenta comportament imprevizibil ce poate cauza incendii, explozii sau risc de rănire.
20. Nu expuneți un acumulator sau o unealtă la foc sau la temperaturi excesive. Expunerea la foc sau la temperaturi mai mari de 130 °C poate cauza explozii.
21. Urmați toate instrucțiunile de încărcare și nu încărcați acumulatorul sau unealta la temperaturi din afara intervalului specificat în instrucțiuni. Încărcarea incorectă sau la temperaturi din afara intervalului specificat poate cauza deteriorarea bateriei și creșterea riscului de incendiu.

PĂSTRAȚI ACESTE INSTRUCȚIUNI.

NORME SUPLIMENTARE DE SECURITATE

Acest aparat este destinat doar uzului casnic.

1. Înainte de utilizare, citiți cu atenție acest manual de instrucțiuni și manualul de instrucțiuni al încărcătorului.
2. Nu aspirați următoarele materiale:
 - Materiale fierbinți, precum țigări aprinse sau praf provenit de la scântei/metal generat de șlefuirea/tăierea metalului
 - Materiale inflamabile precum petrol, diluant, benzină, kerosen sau vopsea
 - Materiale explosive, cum ar fi nitroglicerina
 - Materiale inflamabile, precum aluminiu, zinc, magneziu, titan, fosfor sau celuloid
 - Murdărie umedă, apă, ulei sau alte lichide
 - Obiecte dure cu margini ascuțite, precum așchii de lemn, metale, pietre, sticlă, cuie, ace sau lame
 - Pudră care formează cheag, precum ciment sau toner
 - Praful conductiv, precum praful de metal sau carbon
 - Particule fine, precum praful de beton**O astfel de acțiune poate cauza incendii, accidente și/sau daune.**
3. Întrerupeți lucrul imediat dacă observați orice anomalie.

4. Dacă scăpați pe jos sau loviți aspiratorul, înainte de utilizare verificați-l cu atenție în privința fisurării sau deteriorării.
5. Nu țineți în apropierea sobelor sau a altor surse de căldură.
6. Nu obturați orificiile de admisie sau de ventilație.

PĂSTRAȚI ACESTE INSTRUCȚIUNI.

INSTRUCȚIUNI IMPORTANTE PRIVIND SIGURANȚA

PENTRU ACUMULATORUL ÎNCORPORAT

1. Înainte de a folosi acumulatorul încorporat, citiți toate instrucțiunile și atenționările de pe (1) încărcătorul acumulatorului, (2) acumulator și (3) produsul care folosește acumulatorul.
2. Nu dezmembrați acumulatorul încorporat.
3. Dacă timpul de funcționare s-a redus excesiv, întrerupeți imediat funcționarea. Aceasta poate prezenta risc de supraîncălzire, posibile arsuri și chiar explozie.
4. Dacă electrolitul pătrunde în ochi, clătiți bine ochii cu apă curată și consultați imediat un medic. Există risc de orbire.
5. Nu scurtcircuitați acumulatorul încorporat:
 - (1) Nu atingeți bornele cu niciun material conductor.
 - (2) Evitați depozitarea acumulatorului încorporat într-un container împreună cu alte obiecte metalice cum ar fi cuie, monede etc.
 - (3) Nu expuneți acumulatorul încorporat la apă sau ploaie. Un scurtcircuit al acumulatorului poate provoca un flux puternic de curent electric, supraîncălzire, posibile arsuri și chiar defectarea mașinii.
6. Nu depozitați și nu utilizați mașina și acumulatorul încorporat în spații în care temperatura poate atinge sau depăși 50 °C (122 °F).
7. Nu incinerati acumulatorul încorporat, chiar dacă acesta este grav deteriorat sau este complet descărcat. Acumulatorul încorporat poate exploda dacă este expus focului.
8. Aveți grijă să nu scăpați sau să loviți acumulatorul.
9. Nu utilizați un acumulator încorporat care este deteriorat.
10. Acumulatorii Li-Ion încorporați fac obiectul cerințelor Legislației privind substanțele periculoase. Atunci când eliminați la deșeurile acumulatorul, scoateți-l din mașină și eliminați-l într-un loc sigur. Respectați normele dumneavoastră locale privind eliminarea la deșeurile a acumulatorului.
11. Utilizați acumulatorii numai cu produsele specificate de Makita.

PĂSTRAȚI ACESTE INSTRUCȚIUNI.

Sfaturi pentru obținerea unei durate maxime de exploatare a acumulatorului

1. Încărcați acumulatorul încorporat înainte de a se descărca complet. Întotdeauna întrerupeți funcționarea mașinii și încărcați acumulatorul încorporat când observați o scădere a puterii mașinii.
2. Nu reîncărcați niciodată un acumulator complet încărcat. Supraîncărcarea va scurta durata de exploatare a acumulatorului.
3. Încărcați acumulatorul încorporat la temperatura camerei, între 10°C - 40°C (50°F - 104°F). Dacă un acumulator este fierbinte, lăsați-l să se răcească înainte de a-l încărca.
4. Încărcați acumulatorul încorporat o dată la șase luni dacă nu utilizați mașina pentru o perioadă lungă de timp.

DESCRIEREA FUNCȚIILOR

⚠ATENȚIE: Asigurați-vă întotdeauna că aparatul este oprit înainte de a regla sau de a verifica funcțiile aparatului.

Încărcarea acumulatorului încorporat

⚠ATENȚIE: Folosiți numai acumulatori Makita originali. Acumulatorii Makita care nu sunt originali sau acumulatorii care au suferit modificări se pot aprinde, provocând incendii, vătămări corporale și daune. De asemenea, acest lucru anulează garanția oferită de Makita pentru produsul și încărcătorul Makita.

⚠ATENȚIE: La sfârșitul încărcării, deconectați întotdeauna fișa încărcătorului de la aspirator.

⚠ATENȚIE: Nu lăsați încărcătorul conectat la rețeaua de alimentare după deconectarea aparatului. Copiii mici pot introduce fișa aflată sub tensiune în gură, ceea ce îi poate răni.

Încărcați aspiratorul atunci când îl utilizați pentru prima dată sau dacă nu a fost încărcat pentru o perioadă îndelungată. Conectați fișa de încărcare în conectorul de încărcare, apoi introduceți încărcătorul în priză de alimentare cu energie electrică.

► Fig.1: 1. Conector de încărcare

Lampa de capacitate a acumulatorului se aprinde și începe încărcarea. Lampa se stinge după ce încărcarea este completă. Pentru mai multe detalii, consultați manualul de instrucțiuni al încărcătorului de acumulator.

► Fig.2: 1. Lampă de capacitate acumulator

NOTĂ: Lampa de capacitate a acumulatorului luminează intermitent, iar acumulatorul nu poate fi încărcat dacă acumulatorul sau aspiratorul este expus unor temperaturi extreme.

NOTĂ: Aspiratorul nu poate fi controlat în timp ce este încărcat. Pentru a porni aspiratorul, deconectați încărcătorul de la sursa de alimentare, deconectați fișa de încărcare de la aspirator și apoi apăsați butonul ON (Pornire)/schimbare viteză.

NOTĂ: În condițiile următoare, acumulatorul se apropie de sfârșitul duratei sale de viață (sau este deteriorat/funcționează necorespunzător). Deconectați încărcătorul de la sursa de alimentare, apoi înlocuiți acumulatorul.

- Lampa de capacitate a acumulatorului se stinge la scurt timp după ce începeți să încărcați aspiratorul.
- După încărcarea completă a acumulatorului, aspiratorul funcționează doar pentru o perioadă mai scurtă decât jumătatea duratei normale de funcționare.

NOTĂ: Acumulatorul poate fi reîncărcat până la aproximativ 500 de ori. Duratele de reîncărcare variază în funcție de condițiile în care a fost încărcat și descărcat acumulatorul.

Acționarea întrerupătorului

ATENȚIE: Opriti întotdeauna aspiratorul după fiecare utilizare pentru a preveni defectarea aspiratorului și pentru a extinde durata de viață a acumulatorilor.

Pentru a porni aspiratorul, apăsați pur și simplu butonul ON (Pornire)/schimbare viteză. Pentru a opri, apăsați butonul OFF (Oprire).

Puteți modifica viteza aspiratorului în trei pași, apăsând butonul ON (Pornire)/schimbare viteză.

Prima apăsare a acestui buton este pentru modul viteză ridicată, a doua pentru modul viteză max. iar a treia pentru viteză normală. Fiecare apăsare pe acest buton repetă alternativ ciclul de viteză ridicată/max./normală.

- **Fig.3:** 1. Buton ON (Pornire)/schimbare viteză
2. Buton OFF (Oprire)

Lampă de capacitate acumulator

Când capacitatea rămasă a acumulatorului se reduce, lampa de capacitate acumulator luminează intermitent. Când capacitatea rămasă a acumulatorului devine mult mai scăzută, aspiratorul se oprește, iar lampa de capacitate a acumulatorului luminează timp de aproximativ 10 secunde. În acest moment, încărcați acumulatorul. De asemenea, când acumulatorul este suprasolicitat sau supraîncălzit, aspiratorul se oprește, iar lampa de capacitate a acumulatorului luminează timp de aproximativ 10 secunde. Aspiratorul nu funcționează în perioada în care lampa este aprinsă.

- **Fig.4:** 1. Lampă de capacitate acumulator

NOTĂ: Momentul în care lampa de capacitate acumulator începe să lumineze intermitent sau să se aprindă, depinde de temperatura din zona de lucru și de starea acumulatorului.

Aprinderea lămpii

ATENȚIE: Nu priviți direct în raza sau în sursa de lumină.

Pentru a aprinde lampa, apăsați butonul ON (Pornire)/schimbare viteză. Apăsați butonul OFF (Oprire) pentru a stinge lampa. În timp ce aspiratorul funcționează, lampa se aprinde.

- **Fig.5:** 1. Buton ON (Pornire)/schimbare viteză
2. Buton OFF (Oprire) 3. Lampă

ASAMBLARE

ATENȚIE: Asigurați-vă întotdeauna că ați oprit aparatul înainte de a efectua orice intervenție asupra acestuia.

Sacul de praf și filtrul de hârtie

Înainte de a utiliza aspiratorul, montați fie un sac de praf, fie un filtru de hârtie.

Utilizați opritorul de praf atunci când montați fie un sac de praf, fie un filtru de hârtie.

Sacul de praf poate fi utilizat de mai multe ori dacă este curățat. Filtrul de hârtie este pentru o singură utilizare. Când se umple tot filtrul de hârtie, aruncați-l fără a-l goli.

NOTĂ: Pentru a preveni infiltrarea prafului în motor:

- Asigurați-vă că sacul de praf sau filtrul de hârtie sunt instalate înainte de utilizare.
- Introduceți opritorul de praf împreună cu sacul de praf sau filtrul de hârtie până la maxim în fante, la instalarea acestora.
- Nu utilizați un sac rupt sau deteriorat.

În caz contrar, motorul se poate defecta.

NOTĂ: Nu îndoiiți cartonul de la admisie atunci când montați filtrul de hârtie.

NOTĂ: Nu aruncați niciodată opritorul de praf pentru că acesta trebuie reutilizat ori de câte ori este schimbat sacul de praf sau filtrul de hârtie.

NOTĂ: Filtrul de hârtie pentru aspirator reprezintă o componentă importantă pentru păstrarea performanței acestuia. Utilizarea unui alt filtru de hârtie decât cel original poate cauza fum sau aprindere.

NOTĂ: Când sacul de praf sau filtrul de hârtie nu este instalat în aspirator, capacul frontal nu se închide complet.

- **Fig.6**

Instalarea sacului de praf

Utilizați opritorul de praf atunci când montați sacul de praf. Aveți grijă ca, din greșeală, să nu utilizați fața superioară în locul feței inferioare pentru că acestea sunt diferite una de cealaltă.

- **Fig.7:** 1. Față superioară a opritorului de praf
2. Față inferioară a opritorului de praf

1. Introduceți proeminența sacului de praf în canalul inferior de pe opritorul de praf, așa cum se arată în figură.

► **Fig.8:** 1. Opritor de praf 2. Canal inferior 3. Sac de praf

2. Nu există nicio deosebire între fața superioară și cea inferioară a sacului de praf. Puteți introduce protuberanța oricăreia dintre fețele sale în canalul inferior al opritorului de praf.

► **Fig.9:** 1. Canal inferior

3. Suprapuneți cadrul opritorului de praf cu cel al sacului de praf.

► **Fig.10**

4. Puneți opritorul de praf și sacul de praf în cavitatea aspiratorului, în direcția săgeții de pe opritorul de praf. Introduceți-le până la maxim în fantele cavității aspiratorului.

► **Fig.11**

5. Așezați porțiunea din material textil a sacului de praf în interiorul aspiratorului.

► **Fig.12**

6. Închideți complet capacul frontal.

► **Fig.13:** 1. Capac frontal

Instalarea filtrului de hârtie

Utilizați opritorul de praf și atunci când montați filtrul de hârtie. Aveți grijă ca, din greșeală, să nu utilizați fața superioară în locul feței inferioare pentru că acestea sunt diferite una de cealaltă.

► **Fig.14:** 1. Față superioară a opritorului de praf
2. Față inferioară a opritorului de praf

1. Înainte de a-l monta pe opritorul de praf, depliați admisia filtrului de hârtie.

► **Fig.15**

2. Introduceți proeminența filtrului de hârtie în canalul inferior de pe opritorul de praf, așa cum este se arată în figură.

► **Fig.16:** 1. Opritor de praf 2. Canal inferior 3. Filtru de hârtie

3. Nu există nicio deosebire între fața superioară și cea inferioară a filtrului de hârtie. Puteți introduce protuberanța oricăreia dintre marginile sale în canalul inferior al opritorului de praf.

► **Fig.17:** 1. Canal inferior

4. Suprapuneți cadrul opritorului de praf cu cel al filtrului de hârtie.

► **Fig.18**

5. Puneți opritorul de praf și filtrul de hârtie în cavitatea aspiratorului, în direcția săgeții de pe opritorul de praf. Introduceți-le până la maxim în fantele cavității aspiratorului.

► **Fig.19**

6. Așezați porțiunea de reținere a filtrului de hârtie în interiorul aspiratorului.

► **Fig.20**

7. Închideți complet capacul frontal.

► **Fig.21:** 1. Capac frontal

OPERAREA

⚠ATENȚIE: Nu vă apropiați fața de fanta de ventilație în timp ce aspiratorul funcționează. Dacă materialul suflat ajunge în ochi, este posibil ca acest lucru să provoace vătămări corporale.

Montarea sau demontarea accesoriului de aspirare

⚠ATENȚIE: După montarea unui accesoriu, verificați dacă acesta este fixat ferm. În cazul în care accesoriul este montat necorespunzător, acesta se poate desprinde, cauzând vătămări corporale.

⚠ATENȚIE: Fiți atent să nu vă loviți cu mâna de perete etc. atunci când demontați accesoriul.

Când utilizați accesoriul cu funcție de blocare

Pentru a monta un accesoriu, introduceți-l în orificiul de aspirație al aspiratorului până auziți un clic. Asigurați-vă că accesoriul este blocat.

► **Fig.22:** 1. Orificiu de aspirație 2. Accesoriu cu funcție de blocare 3. Cârlig 4. Buton de eliberare

NOTĂ: Atunci când montați accesoriul cu funcție de blocare, asigurați-vă că aliniați butonul de eliberare cu cârligul de pe accesoriu. Dacă acestea nu sunt aliniate, accesoriul nu se va bloca și se poate desprinde de pe aspirator.

Pentru a scoate accesoriul, trageți-l în timp ce apăsați butonul de eliberare.

► **Fig.23:** 1. Buton de eliberare 2. Accesoriu cu funcție de blocare

Când utilizați accesoriul fără funcție de blocare

⚠ATENȚIE: Pentru a conecta un accesoriu fără funcție de blocare, introduceți-l prin răsucire în direcția săgeții pentru a securiza conexiunea în timpul utilizării. Pentru a scoate accesoriul, extrageți-l tot prin răsucire în direcția săgeții.

► **Fig.24**

Curățarea (Aspirarea)

Duză

Montați duza pentru a curăța mesele, birourile, mobila etc. Duza alunecă foarte ușor.

► **Fig.25:** 1. Duză

Duză + Tub de extensie (Țeavă dreaptă)

Tubul de extensie se montează între duză și aspiratorul propriu-zis. Această configurație este confortabilă pentru curățarea podelei în timp ce stați în picioare.

► **Fig.26:** 1. Corp aspirator 2. Tub de extensie 3. Duză

Duză pentru colțuri

Montați duza pentru colțuri pentru a curăța colțurile și spațiile înguste ale unei banchete dintr-o mașină sau ale mobilei.

► **Fig.27:** 1. Duză pentru colțuri 2. Corp aspirator

Duză pentru colțuri + Tub de extensie (Teavă dreaptă)

În locurile strâmte unde aspiratorul nu poate fi introdus, sau în locurile înalte la care este greu de ajuns, utilizați această configurație.

► **Fig.28:** 1. Duză pentru colțuri 2. Tub de extensie 3. Corp aspirator

Curățarea fără duză

Puteți aspira pulberea și praful fără duză.

► **Fig.29**

Pentru a aspira praful de pe podea în timp ce stați în picioare, este mai confortabil să montați tubul de extensie pe aspirator.

► **Fig.30:** 1. Tub de extensie

Eliminarea prafului

ATENȚIE: Goliți aspiratorul înainte ca acesta să se umple excesiv, pentru a evita reducerea puterii de aspirare.

ATENȚIE: La închiderea capacului frontal, asigurați-vă că nu vă prindeți degetele.

NOTĂ: Nu aruncați niciodată opritorul de praf pentru că acesta trebuie reutilizat ori de câte ori este utilizat sacul de praf sau filtrul de hârtie.

NOTĂ: Când sacul de praf/filtrul de hârtie nu este montat în aspirator, capacul frontal nu se închide complet. Nu forțați închiderea capacului frontal. Aceasta poate provoca deformarea sau spargerea aspiratorului.

NOTĂ: La eliminarea prafului, puteți curăța și camera pentru sacul de praf/filtrul de hârtie. Praful și murdăria rămase în cameră pot provoca înfundarea filtrului sau deteriorarea motorului.

1. Apăsăți butonul pentru a deschide capacul frontal. Deschiderea acestuia până la auzirea unui clic permite o oprire sigură în poziția respectivă.

► **Fig.31:** 1. Capac frontal 2. Buton

2. Trageți în afară opritorul de praf portocaliu și sacul de praf/filtrul de hârtie în același timp.

► **Fig.32:** 1. Opritor de praf

3. Efectuați procedurile de mai jos în funcție de tipul de recipient pentru praf utilizat:

Când folosiți sacul de praf

Scoateți opritorul de praf și goliți sacul de praf.

► **Fig.33:** 1. Opritor de praf 2. Sac de praf

Când folosiți filtrul de hârtie

Scoateți opritorul de praf și eliminați filtrul de hârtie.

► **Fig.34:** 1. Opritor de praf 2. Filtru de hârtie

4. Puneți sacul de praf/filtrul de hârtie nou și opritorul de praf împreună în aspirator și închideți capacul frontal.

NOTĂ: Aspiratorul este construit astfel încât capacul frontal să se desprindă atunci când încercați să forțați deschiderea acestuia la un unghi mai mare de 90°. În cazul în care capacul frontal se desprinde, introduceți-l în articulația de capac frontal.

► **Fig.35:** 1. Capac frontal 2. Articulație capac frontal

ÎNTREȚINERE

ATENȚIE: Asigurați-vă întotdeauna că aparatul este oprit înainte de a încerca să efectuați inspecția sau întreținerea acestuia.

Pentru a menține SIGURANȚA și FIABILITATEA produsului, reparațiile și orice alte lucrări de întreținere sau reglare trebuie executate de centre de service Makita autorizate sau proprii, folosind întotdeauna piese de schimb Makita.

NOTĂ: Nu utilizați niciodată gazolină, benzină, diluant, alcool sau alte substanțe asemănătoare. În caz contrar, pot rezulta decolorări, deformări sau fisuri.

După utilizare

Atunci când depozitați sau încărcați aspiratorul, blocați capul duzei și atârnați-l de un cârlig disponibil pe piață.

► **Fig.36**

ATENȚIE: Sprijinirea aspiratorului de perete, fără niciun alt suport, poate cauza căderea aspiratorului și defectarea acestuia.

► **Fig.37**

Curățarea

Corp aspirator

Din când în când ștergeți suprafața exterioară (corpul aspiratorului) a aspiratorului utilizând o lavetă umezită în apă cu săpun. De asemenea, curățați admisia, zona de montaj a sacului de praf/filtrului de hârtie și opritorul de praf.

► **Fig.38**

Opritor de praf

Curățați praful de pe opritorul de praf.

Îndepărtați praful și murdăria de pe burete aplicând lovituri ușoare.

► **Fig.39:** 1. Burete

Sac de praf

Spălați sacul de praf în apă cu săpun atunci când acesta este înfundat cu praf și când se reduce puterea aspiratorului. Uscați-l complet înainte de utilizare. Un sac uscat insuficient poate avea ca efect o putere mică de aspirare și poate scurta durata de viață a motorului.

► **Fig.40**

NOTĂ: Filtrul de hârtie este de unică folosință.

Când filtrul spongios este înfundat cu praf, scoateți-l din aspirator și apoi curățați-l sau spălați-l în apă.

Scoaterea și montarea filtrului spongios

⚠ATENȚIE: După curățarea filtrului spongios, asigurați-vă că acesta va fi montat în aspirator. Dacă a fost spălat în apă, uscați filtrul înainte de a-l monta. Un filtru spongios insuficient uscat poate scurta durata de viață a motorului.

Pentru a scoate filtrul spongios, îndepărtați sacul de praf sau filtrul de hârtie, apoi prindeți și trageți filtrul spongios afară.

► **Fig.41:** 1. Filtru spongios

Pentru a monta filtrul, apăsați întreaga margine a filtrului spongios pe peretele cu nișe din interiorul zonei de montare a sacului de praf/filtrului de hârtie.

► **Fig.42:** 1. Perete cu nișe

Curățarea duzei

(diferă în funcție de țară)

Atunci când pe peria duzei s-a depus mult praf, curățați praful cu bandă adezivă.

► **Fig.43:** 1. Perie

Suport de perete pentru aspirator cu acumulator

Accesorii opționale

NOTĂ: Șurubul pentru fixarea suportului nu este inclus. Pregătiți un șurub care să corespundă materialului de înșurubat.

Fixați suportul de perete pentru aspiratorul cu acumulator de un perete, o grindă sau o coloană solidă din lemn, unde suportul de perete pentru aspiratorul cu acumulator poate fi bine fixat. Asigurați-vă întotdeauna că suportul de perete pentru aspiratorul cu acumulator este bine fixat înainte de a agăța aspiratorul.

► **Fig.44:** 1. Suport de perete pentru aspirator cu acumulator 2. Fișă

⚠ATENȚIE: Nu agățați aspiratorul de suportul de perete într-un mod violent și nu agățați de el alte aparate electrocasnice.

NOTĂ: Atunci când nu încărcați aspiratorul, priza poate fi depozitată pe suportul de perete pentru aspiratorul cu acumulator, după cum se observă în ilustrații.

Depanare

Înainte de a solicita reparații, verificați următoarele puncte.

Simptom	Zona care trebuie investigată	Metoda de fixare
Putere slabă de aspirație	Sacul de praf sau filtrul de hârtie este plin de praf?	Goliți sacul de praf sau filtrul de hârtie.
	Sacul de praf este înfundat?	Eliminați praful din sac sau spălați sacul.
	Filtrul de hârtie este înfundat?	Înlocuiți filtrul de hârtie.
	Cartușul acumulatorului este epuizat?	Încărcați cartușul acumulatorului.
Nu funcționează	Cartușul acumulatorului este epuizat?	Încărcați cartușul acumulatorului.
Capacul cutiei pentru praf nu se închide	Sacul de praf sau filtrul de hârtie este montat?	Montați sacul de praf sau filtrul de hârtie.

NOTĂ: Nu încercați să reparați singur aspiratorul.

Casarea aspiratorului

În acest aspirator este încorporat un acumulator Li-ion. Scoateți întotdeauna acumulatorul înainte de a casa aspiratorul.

Scoaterea acumulatorului încorporat

⚠ATENȚIE: Nu atingeți bornele cu niciun material conductor.

⚠ATENȚIE: Evitați depozitarea acumulatorului încorporat într-un container împreună cu alte obiecte metalice cum ar fi cuie, monede etc.

⚠ATENȚIE: Nu expuneți acumulatorul încorporat la apă sau ploaie.

⚠ATENȚIE: Nu dezasamblați și nici nu modificați acumulatorul încorporat.

⚠ATENȚIE: Aspiratorul de trebuie să fie deconectat de la rețeaua de alimentare atunci când scoateți acumulatorul.

1. Pentru a scoate capacul din spate, apăsați-l în direcția săgeții.
► **Fig.45:** 1. Capac posterior
2. Glisați pe jumătate acumulatorul încorporat. Deconectați cablurile de alimentare de la acumulator deplasând ușor acumulatorul în spate, în timp ce apăsați conectorul în direcția săgeții, conform figurii.
► **Fig.46:** 1. Conector 2. Cabluri electrice
3. Apoi, glisați complet în afară unitatea acumulatorului.
► **Fig.47:** 1. Acumulator încorporat
4. Puneți acumulatorul scos într-o cutie de carton astfel încât să nu se scurtcircuizeze.

Instalarea acumulatorului de schimb

Pentru a monta acumulatorul de schimb, executați în ordine inversă operațiile de demontare.

⚠ATENȚIE: Direcționați cablul astfel încât să fie depozitat complet în interiorul aspiratorului înainte de a pune înapoi capacul din spate. În caz contrar, cablul poate fi deteriorat.

► **Fig.48**

După instalarea acumulatorului (consultați „SPECIFICAȚII”), încărcați-l înainte de utilizare.

ACCESORII OPȚIONALE

⚠ATENȚIE: Folosiți accesoriile sau piesele auxiliare recomandate pentru aparatul dumneavoastră Makita în acest manual. Utilizarea altor accesorii sau piese auxiliare poate prezenta risc de accidentări. Utilizați accesoriile sau piesele auxiliare numai în scopul destinat.

Dacă aveți nevoie de asistență sau de mai multe detalii referitoare la aceste accesorii, adresați-vă centrului local de service Makita.

- Tub de extensie (Țeavă dreaptă)
- Duză
- Duză pentru covoare
- Perie pentru rafturi
- Duză pentru colțuri
- Perie rotundă
- Furtun flexibil
- Filtru de hârtie
- Suport de perete pentru aspirator cu acumulator
- Acumulator de schimb
- Duză liberă
- Duză scaun
- Duză pentru curățarea spațiilor greu accesibile
- Ciclon pentru colectarea prafului

NOTĂ: Unele articole din listă pot fi incluse ca accesorii standard în ambalajul aparatului. Acestea pot diferi în funcție de țară.

ПОПЕРЕДЖЕННЯ

Цей прилад дозволяється використовувати дітям віком від 8 років або старше, а також особам з обмеженими фізичними, сенсорними або розумовими здібностями та особам з недостатнім досвідом і знаннями, якщо за ними встановлений нагляд або їм були надані інструкції стосовно безпечного використання цього приладу та вони усвідомлюють потенційну небезпеку від його використання. Дітям не дозволяється грати з цим приладом. Дітям не дозволяється виконувати чищення або проводити технічне обслуговування приладу без нагляду дорослих.

ТЕХНІЧНІ ХАРАКТЕРИСТИКИ

Модель:		CL114FD
Ємність	з мішком для пилу	500 мл
	з паперовим фільтром	330 мл
Тривале використання (з акумулятором BL1020V)	3 (режим максимальної швидкості)	Близько 10 хв
	2 (режим високої швидкості)	Близько 18 хв
	1 (режим нормальної швидкості)	Близько 55 хв
Загальна довжина	Корпус пилососа	458 мм
	Зі з'єднанням подовжувача та штуцером	983 мм
Маса нетто		1,1 кг
Номінальна напруга		від 10,8 – макс. 12 В пост. струму.

- Оскільки наша програма наукових досліджень і розробок триває безперервно, наведені тут технічні характеристики можуть бути змінені без попередження.
- У різних країнах технічні характеристики можуть бути різними.
- У значення маси не включено масу жодних додаткових приладів.

Застосовна касета з акумулятором і зарядний пристрій

Касета з акумулятором	Зарядний пристрій для акумуляторів	Час заряджання (год.)
BL1020V	DC1002	2,0

- Час заряджання залежить від температури (10 °C (50 °F) – 40 °C (104 °F)), за якої відбувається заряджання касети з акумулятором, і стану касети (наприклад від того, чи є касета з акумулятором новою, і терміну, протягом якого вона не використовувалася).

⚠ ПОПЕРЕДЖЕННЯ: Використовуйте лише касети з акумулятором і зарядні пристрої, перелічені вище. Використання будь-яких інших касет з акумулятором і зарядних пристроїв може призвести до травмування й/або пожежі.

Символи

Далі наведено символи, які можуть застосовуватися для позначення обладнання. Перед користуванням переконайтеся, що ви розумієте їхнє значення.



Читайте посібник з експлуатації.



Знімний блок живлення



Тільки для країн ЄС
Не викидайте електроприлади або акумуляторні батареї разом із побутовим сміттям! Згідно з європейськими директивами про утилізацію електричного та електронного обладнання та про утилізацію батарей і акумуляторів, а також батарей та акумуляторів, термін служби яких закінчився, та їх використанням із дотриманням національних законів, електричне обладнання, батареї та акумулятори, термін служби яких закінчився, потрібно збирати окремо та відправляти на екологічно чисті підприємства з їхньої переробки.

Призначення

Прилад призначено для збирання сухого пилу.

ПОПЕРЕДЖЕННЯ ПРО ДОТРИМАННЯ ТЕХНІКИ БЕЗПЕКИ

Попередження про необхідну обережність під час роботи з бездротовим пилососом

⚠ ПОПЕРЕДЖЕННЯ: ВАЖЛИВО!
ПРОЧИТАЙТЕ УВАЖНО всі попередження про необхідну обережність під час роботи та всі інструкції ПЕРЕД ВИКОРИСТАННЯМ.
Недотримання попереджень та інструкцій може призвести до ураження електричним струмом, до виникнення пожежі та/або до отримання серйозних травм.

1. Не залишайте інструмент під дощем. Зберігайте у приміщенні.
2. Не допускайте, щоб з цим приладом гралися діти. Потрібно бути пильним, якщо інструмент використовується дітьми або поблизу від них.
3. Використовуйте лише у відповідності з цією інструкцією. Використовуйте лише допоміжне обладнання, яке рекомендоване виробником.
4. Не використовуйте, якщо акумулятор пошкоджений. Якщо прилад не працює належним чином, його впустили, пошкодили, залишили під дощем або зронили у воду, його слід відправити до сервісного центру.
5. Не торкайтеся приладу мокрими руками.
6. Не встромляйте жодних предметів у отвори. Не використовуйте прилад із заблокованими отворами; не допускайте їх блокування пилом, пухом, волоссям або будь-чим, що може послабити потік повітря.
7. Слідкуйте, щоб волосся, просторий одяг, а також пальці та інші частини тіла не потрапили до отворів та рухомих частин приладу.

8. Перед зніманням акумулятора вимикайте всі елементи керування.
9. Будьте особливо обережні під час прибирання на сходохах.
10. Уникайте потрапляння на прилад займих або палих рідин, наприклад бензину, та не використовуйте прилад в місцях їх застосування.
11. Для перезаряджання акумулятора використовуйте тільки зарядний пристрій, що постачається виробником.
12. Уникайте контакту приладу з будь-якими речовинами та предметами, що горять або димлять, наприклад цигарками, сірниками або гарячим попелом.
13. Не використовуйте без мішка для пилу і (або) встановлених фільтрів.
14. Перезаряджайте акумулятор тільки в приміщенні.
15. Перезаряджайте акумулятор лише за допомогою зарядного пристрою, вказаного виробником. Зарядний пристрій, який підходить для одного типу акумуляторів, може призвести до пожежі при використанні з акумулятором іншого типу.
16. Використовуйте електроінструменти лише з акумуляторами того типу, який призначений саме для цих електроінструментів. Використання акумуляторів інших типів може призвести до отримання травм і виникнення пожежі.
17. Коли акумулятор не використовується, тримайте його подалі від таких металевих предметів, що можуть закортити клемми акумулятора, наприклад скріпок, монет, ключів, цвяхів, гвинтів тощо.
18. За неналежних умов зберігання з акумулятора може витекти рідина, контакту з якою слід уникати. У разі випадкового потрапляння рідини на тіло уражену частину необхідно промити водою.
19. Не користуйтеся акумулятором або інструментом, які було змінено чи пошкоджено. Експлуатація акумуляторів, що їх було пошкоджено або до конструкції яких було внесено зміни, може бути небезпечною і може спричинити пожежу, вибух або травму.
20. Не піддавайте акумулятор або інструмент впливу вогню чи надмірної температури. Вплив вогню або температури вище 130 °C може спричинити вибух.
21. Дотримуйтеся усіх вказівок із заряджання й не заряджайте акумулятор або інструмент за температури за межами зазначеного в інструкції діапазону. Неправильне заряджання або заряджання за межами вказаного температурного діапазону може призвести до пошкодження акумулятора й підвищити небезпеку займання.

ЗБЕРІГАЙТЕ ЦІ ВКАЗІВКИ.

ДОДАТКОВІ ПРАВИЛА БЕЗПЕКИ

Цей прилад призначений тільки для побутового використання.

1. Перед використанням уважно прочитайте цю інструкцію, а також інструкцію до зарядного пристрою.
2. Уникайте таких речовин та предметів, як:
 - гарячі речовини та предмети, наприклад запалені цигарки або іскри й металевий пил, що утворюються під час шліфування або різання металу
 - пальні речовини, наприклад газолін, розчинники, бензин, гас або фарби
 - вибухові речовини, наприклад нітрогліцерин
 - займісті речовини, наприклад алюміній, цинк, магній, титан, фосфор або целулоїд
 - вологий бруд, вода, мастило та подібні речовини
 - тверді предмети з гострими кутами, наприклад тріска, метали, каміння, скло, цвяхи, шпильки або бритви
 - порошок або грудки, наприклад цемент або тонер
 - електропровідний пил, наприклад металевий або вугільний
 - дрібні частки, наприклад бетонний пил.У протилежному випадку це може призвести до пожежі, травми та (або) пошкодження майна.
3. Негайно зупиніть інструмент, якщо помітите відхилення в його роботі.
4. Якщо ви впустили або вдарили пиросос, перед подальшим використанням його слід ретельно оглянути на наявність тріщин або пошкоджень.
5. Заборонено підносити інструмент близько до кухонних плит або інших джерел тепла.
6. Заборонено блокувати забірний або вентиляційні отвори.

ЗБЕРІГАЙТЕ ЦІ ВКАЗІВКИ.

ВАЖЛИВІ ІНСТРУКЦІЇ З ТЕХНІКИ БЕЗПЕКИ

ДЛЯ ВБУДОВАНОГО АКУМУЛЯТОРА

1. Перш ніж користуватися вбудованим акумулятором, слід прочитати всі інструкції та попереджувальні відмітки щодо (1) зарядного пристрою, (2) акумулятора та (3) виробів, що працюють від акумулятора.
2. Не слід розбирати вбудований акумулятор.
3. Якщо період роботи набагато скоротився, слід негайно припинити користування. Це може призвести до виникнення ризику перегріву, опіку та навіть вибуху.

4. У разі потрапляння електроліту в очі слід промити їх чистою водою та негайно звернутися до лікаря. Це може призвести до втрати зору.
5. Не слід закорочувати вбудований акумулятор:
 - (1) Не слід торкатися клем будь-яким струмопровідним матеріалом.
 - (2) Не слід зберігати вбудований акумулятор у ємності з іншими металевими предметами, такими як цвяхи, монети тощо.
 - (3) Не залишайте вбудований акумулятор під дощем, запобігайте контакту з водою. Коротке замикання може призвести до значного протікання струму, перегріву, можливих опіків і навіть виходу з ладу.
6. Не слід зберігати та використовувати інструмент і вбудований акумулятор у місцях, де температура може сягнути чи перевищити 50 °C (122 °F).
7. Забороняється спалювати вбудований акумулятор, навіть якщо він сильно пошкоджений або повністю спрацьований. Вбудований акумулятор може вибухнути у вогні.
8. Не слід кидати або ударяти акумулятор.
9. Не використовуйте пошкоджений вбудований акумулятор.
10. Літій-іонні акумулятори, що містяться в інструменті, мають відповідати вимогам законів про небезпечні товари. Для утилізації акумулятора витягніть його з інструмента та утилізуйте безпечним способом. Дотримуйтеся норм місцевого законодавства щодо утилізації акумуляторів.
11. Використовуйте акумулятори лише з виробами, указаними компанією Makita.

ЗБЕРІГАЙТЕ ЦІ ВКАЗІВКИ.

Поради із забезпечення максимального строку експлуатації акумулятора

1. Вбудований акумулятор слід заряджати до того, як він розрядиться повністю. У разі зменшення потужності інструмента необхідно зупинити його роботу й зарядити вбудований акумулятор.
2. Заряджати повністю заряджений вбудований акумулятор повторно забороняється. Перезарядження скорочує строк експлуатації акумулятора.
3. Заряджайте вбудований акумулятор за кімнатної температури 10—40° C (50—104° F). Перш ніж заряджати вбудований акумулятор, слід зачекати, доки він не охолоне.
4. Заряджайте вбудований акумулятор один раз на шість місяців, якщо інструмент не використовується протягом тривалого часу.

ОПИС РОБОТИ

⚠ ОБЕРЕЖНО: Переконайтеся, що пристрій вимкнено, перед регулюванням та перевіркою функцій.

Заряджання вбудованого акумулятора

⚠ ОБЕРЕЖНО: Використовуйте тільки акумулятори Makita. Використання будь-яких акумуляторів, окрім оригінальних акумуляторів Makita, або акумуляторів, конструкцію яких було змінено, може призвести до вибуху акумулятора та спричинити пожежу, травму або пошкодження. У зв'язку із цим також буде анульовано гарантію Makita на пристрій Makita і на зарядний пристрій.

⚠ ОБЕРЕЖНО: Після заряджання слід завжди від'єднувати штекер заряджання від очищувача.

⚠ ОБЕРЕЖНО: Не залишайте зарядний пристрій під'єднаним до мережі після від'єднання приладу. Малі діти можуть узяти штепсель, що знаходиться під напругою, до рота, що призведе до травмування.

Заряджайте очищувач, коли використовуєте його вперше або коли він не заряджався впродовж тривалого часу. Приєднайте зарядний штекер до зарядного гнізда, а потім підключіть зарядний пристрій до джерела живлення.

► **Рис. 1:** 1. Зарядне гніздо

Лампа акумулятора загоряється, і починається заряджання. Лампа гасне після завершення заряджання. Для отримання детальної інформації звертайтеся до інструкції з експлуатації зарядного пристрою.

► **Рис. 2:** 1. Лампа акумулятора

УВАГА: Лампа акумулятора блимає, а акумулятор не можна зарядити, якщо акумулятор або пілосос піддається впливу високих температур.

ПРИМІТКА: Під час зарядки користуватися пілососом неможливо. Для запуску пілососа від'єднайте зарядний пристрій від джерела живлення, від'єднайте штекер зарядного пристрою від пілососа й натисніть кнопку ввімкнення / зміни швидкості.

ПРИМІТКА: Наявність зазначених далі станів може свідчити про закінчення терміну служби акумулятора (або його пошкодження / несправність). Від'єднайте зарядний пристрій від джерела електроживлення, після чого замініть акумулятор.

- Індикатор заряду акумулятора згасне незабаром після початку зарядки пілососа.
- Час роботи пілососа після повної зарядки акумулятора скоротився більш ніж удвічі відносно нормального робочого часу.

ПРИМІТКА: Приблизна кількість циклів зарядки акумулятора не перевищує 500. Кількість циклів перезаряджання залежить від умов заряджання та розряджання акумулятора.

Дія вимикача

⚠ ОБЕРЕЖНО: Завжди вимикайте пілосос після кожного використання, щоб уникнути його пошкодження та для продовження терміну служби акумуляторів.

Для того щоб запустити пілосос, просто натисніть кнопку ввімкнення / зміни швидкості. Щоб вимкнути інструмент, натисніть кнопку вимкнення. Швидкість пілососа змінюється в три кроки натисканням кнопки ввімкнення / зміни швидкості. При першому натисканні цієї кнопки вмикається режим високої швидкості, при другому — режим максимальної швидкості, а при третьому — режим нормальної швидкості. Кожне натискання на цю кнопку по черзі перемикає швидкість між високою, максимальною та низькою.

- **Рис. 3:** 1. Кнопка ввімкнення / зміни швидкості
2. Кнопка вимкнення

Лампа акумулятора

Коли залишковий заряд акумулятора знижується, починає мигати лампа акумулятора.

Коли залишковий заряд акумулятора стає зовсім низьким, пілосос зупиняється, а лампа акумулятора загоряється приблизно на 10 секунд. У цьому випадку зарядіть акумулятор.

Коли акумулятор перезаряджається або перегрівається, пілосос також зупиняється, а лампа акумулятора загоряється приблизно на 10 секунд. Коли горить лампа, пілосос не працює.

► **Рис. 4:** 1. Лампа акумулятора

ПРИМІТКА: Час, коли лампа акумулятора загоряється або починає блимати, залежить від температури на робочому місці та від стану акумулятора.

Увімкнення підсвічування

⚠ ОБЕРЕЖНО: Не дивіться на світло або безпосередньо на джерело світла.

Для того щоб увімкнути підсвічування, натисніть кнопку ввімкнення / зміни швидкості. Щоб вимкнути підсвічування, натисніть кнопку вимкнення. Підсвічування вмикається, коли пілосос починає роботу.

- **Рис. 5:** 1. Кнопка ввімкнення / зміни швидкості
2. Кнопка вимкнення 3. Лампа

ЗБОРКА

⚠ ОБЕРЕЖНО: Перед виконанням будь-яких робіт із пристроєм обов'язково вимкніть його.

Мішок для пилу та паперовий фільтр

Перед використанням пилососа встановіть мішок для пилу або паперовий фільтр.

Під час установлення мішка для пилу або паперового пакета використовуйте пилову заслінку.

Мішок для пилу можна використовувати багаторазово, очищаючи його від пилу.

Паперовий фільтр призначено для одноразового використання. Коли паперовий фільтр наповнюється, його слід викинути цілком без спорожнення.

УВАГА: Для запобігання потрапляння пилу в двигун:

- перед використанням завжди перевіряйте наявність мішка для пилу або паперового фільтра;
- уставляйте пилову заслінку разом з мішком для пилу або паперовим фільтром у пази повністю;
- не використовуйте пошкоджені або порвані мішки.

Недотримання цих вимог може призвести до пошкодження двигуна.

УВАГА: Не складайте картон біля отвору під час установлення паперового фільтра.

УВАГА: Заборонено викидати пилову заслінку, оскільки її необхідно завжди використовувати повторно з мішком для пилу або паперовим фільтром.

УВАГА: Паперовий фільтр для пилососа є важливим компонентом, який допомагає підтримувати робочі характеристики пилососа на високому рівні. Використання паперових фільтрів інших виробників може призвести до появи диму або до займання.

ПРИМІТКА: Якщо мішок для пилу або паперовий фільтр не встановлено в пилосос, передня кришка не закриється повністю.

► Рис.6

Установлення мішка для пилу

Під час установлення мішка для пилу слід використовувати заслінку для пилу. Слід бути обережним, щоб не переплутати верхню частину з нижньою, оскільки вони відрізняються.

- Рис.7: 1. Верхня частина пилової заслінки
2. Нижня частина пилової заслінки

1. Вставте мішок для пилу виступом у нижній паз на пиловій заслінці, як показано на рисунку.

► Рис.8: 1. Пилова заслінка 2. Нижній паз 3. Мішок для пилу

2. Між верхньою та нижньою частинами мішка для пилу різниці немає. Виступ можна вставляти будь-якою частиною в нижній паз пилової заслінки.

► Рис.9: 1. Нижній паз

3. Слід накласти раму пилової заслінки на раму мішка для пилу.

► Рис.10

4. Установіть пилову заслінку та мішок для пилу разом у порожнину пилососа відповідно до напрямку, указанного стрілкою на заслінці. Повністю вставте їх у пази в порожнині пилососа.

► Рис.11

5. Розверніть тканинну частину мішка для пилу всередині пилососа.

► Рис.12

6. Повністю закрийте передню кришку.

► Рис.13: 1. Передня кришка

Установлення паперового фільтра

Під час установлення паперового фільтра слід також використовувати заслінку для пилу. Слід бути обережним, щоб не переплутати верхню частину з нижньою, оскільки вони відрізняються.

- Рис.14: 1. Верхня частина пилової заслінки
2. Нижня частина пилової заслінки

1. Розгорніть вхідну частину фільтра перед його встановленням на пилову заслінку.

► Рис.15

2. Вставте виступ на паперовому фільтрі в нижній паз у пиловій заслінці, як показано на рисунку.

► Рис.16: 1. Пилова заслінка 2. Нижній паз
3. Паперовий фільтр

3. Між верхньою та нижньою частинами паперового фільтра різниці немає. У нижній паз пилової заслінки можна вставляти виступ будь-якої частини.

► Рис.17: 1. Нижній паз

4. Накладіть раму пилової заслінки на раму паперового фільтра.

► Рис.18

5. Установіть пилову заслінку та паперовий фільтр разом у порожнину пилососа відповідно до напрямку, указанного стрілкою на заслінці. Повністю вставте їх у пази в порожнині пилососа.

► Рис.19

6. Розверніть контейнерну частину паперового фільтра всередині пилососа.

► Рис.20

7. Повністю закрийте передню кришку.

► Рис.21: 1. Передня кришка

РОБОТА

⚠ОБЕРЕЖНО: Під час роботи з пилососом не тримайте обличчя занадто близько до вентиляційного отвору. Потрапляння в очі сторонніх предметів може призвести до травми.

Установлення або видалення насадки пилососа

⚠ОБЕРЕЖНО: Після встановлення насадки переконайтеся в надійності її кріплення. У разі неправильного встановлення насадки вона може зіскочити й нанести травму.

⚠ОБЕРЕЖНО: Під час зняття насадки будьте обережні, щоб не вдаритися рукою об стіну тощо.

Під час використання насадки з фіксацією

Для встановлення насадки вставте її в отвір усмоктування пілососа до клацання. Переконайтеся в тому, що насадка надійно зафіксовано.

► **Рис.22:** 1. Отвір усмоктування 2. Насадка з фіксацією 3. Гачок 4. Кнопка розблокування

ПРИМІТКА: Під час установа насадки з фіксацією зіставте кнопку розблокування з гачком на насадці. Якщо вони не зіставлені, насадку не буде зафіксовано, через що вона може зіскокити з пілососа.

Для вимання насадки потягніть за неї, одночасно натискаючи кнопку розблокування.

► **Рис.23:** 1. Кнопка розблокування 2. Насадка з фіксацією

Під час використання насадки без фіксації

▲ОБЕРЕЖНО: Для установки насадки без фіксації поверніть і вставте її в зазначеному стрілкою напрямку, щоб зафіксувати з'єднання під час використання. Щоб зняти насадку, витягніть її, повертаючи також у напрямку, показаному стрілкою.

► **Рис.24**

Чищення (всмоктування)

Штуцер

Для чищення столів, парт, меблів тощо встановлюйте штучер. Він легко надівається.

► **Рис.25:** 1. Штуцер

Штуцер + подовжувач (пряма труба)

Подовжувач вставляється між штучером та пілососом. Така конструкція є зручною для чищення підлоги стоячи.

► **Рис.26:** 1. Корпус пілососа 2. Подовжувач 3. Штуцер

Кутовий штучер

Для чищення кутів та щілин сидіння в салоні автомобіля встановлюйте кутовий штучер.

► **Рис.27:** 1. Кутовий штучер 2. Корпус пілососа

Кутовий штучер + подовжувач (пряма труба)

Цю конструкцію слід використовувати там, де пілосос не може пройти в обмежену просторі, або у високих місцях, до яких важко дотягнутись.

► **Рис.28:** 1. Кутовий штучер 2. Подовжувач 3. Корпус пілососа

Чищення без штучера

Збирати пил можна й без штучера.

► **Рис.29**

Для збирання пилу з підлоги в положенні стоячи до пілососа для зручності можна прикріпити подовжувач.

► **Рис.30:** 1. Подовжувач

Видалення пилу

▲ОБЕРЕЖНО: Пілосос слід спорожнювати до повного заповнення, інакше силу всмоктування буде послаблено.

▲ОБЕРЕЖНО: Закриваючи передню кришку, слід бути обережним, щоб не защемити пальці.

УВАГА: Заборонено викидати пилову заслінку, оскільки її необхідно завжди використовувати з мішком для пилу або паперовим фільтром.

УВАГА: Якщо мішок для пилу / паперовий фільтр не встановлено в пілосос, передня кришка не закриється повністю. Не застосовуйте надмірних зусиль під час закриття передньої кришки. Це може призвести до деформації або поломки пілососа.

УВАГА: Під час очищення від пилу не забудьте очистити відсік для мішка для пилу / паперового фільтра. Пил і бруд, що залишилися у відсіку, можуть призвести до засмічення губчатого фільтра або пошкодження двигуна.

1. Натисніть кнопку, щоб відкрити передню кришку. Її слід відкрити до упору. Клацання означатиме, що кришку зафіксовано у відкритому положенні.

► **Рис.31:** 1. Передня кришка 2. Кнопка

2. Витягніть одночасно жовтогогарячу пилову заслінку й мішок для пилу / паперовий фільтр.

► **Рис.32:** 1. Пилова заслінка

3. Залежно від типу контейнера для пилу виконайте описані далі процедури.

Під час використання мішка для пилу

Видаліть пилову заслінку й спорожніть мішок для пилу.

► **Рис.33:** 1. Пилова заслінка 2. Мішок для пилу

Під час використання паперового фільтра

Видаліть пилову заслінку й утилізуйте паперовий фільтр.

► **Рис.34:** 1. Пилова заслінка 2. Паперовий фільтр

4. Установіть мішок для пилу / новий паперовий фільтр і пилову заслінку в пілосос та закрийте передню кришку.

ПРИМІТКА: Передня кришка пілососа від'єднується від корпусу, якщо намагатися відкрити її під кутом більше 90°. Якщо передня кришка від'єдналася від корпусу, установіть її назад у з'єднання.

► **Рис.35:** 1. Передня кришка 2. З'єднання передньої кришки

ТЕХНІЧНЕ ОБСЛУГОВУВАННЯ

⚠ОБЕРЕЖНО: Перед виконанням перевірки або обслуговування необхідно переконатись, що пиросос вимкнено.

Для забезпечення БЕЗПЕКИ й НАДІЙНОСТІ продукції її ремонт, а також роботи з обслуговування або регулювання мають виконуватись уповноваженими або заводськими сервісними центрами Makita з виконанням запчастин виробництва компанії Makita.

УВАГА: Ніколи не використовуйте газолін, бензин, розріджувач, спирт та подібні речовини. Їх використання може призвести до зміни кольору, деформації або появи тріщин.

Після використання

Під час зберігання або заряджання очищувача головку сопла має бути заблоковано й розташовано на гаку, що доступний у продажу.

► Рис.36

⚠ОБЕРЕЖНО: Якщо пиросос розмістити біля стіни без будь-якої іншої опори, він може впасти й отримати пошкодження.

► Рис.37

Чистка

Корпус пирососа

Слід періодично протирати зовнішню поверхню (корпус) пирососа ганчіркою, зволоженою мильною водою. Слід також вичищати отвір усмоктування, ділянку встановлення мішка для пилу / паперового фільтра та пилову заслінку.

► Рис.38

Пилова заслінка

Зітріть пил із пилової заслінки. Видаліть пил і бруд із губчатої частини, злегка постукавши по ній.

► Рис.39: 1. Губчата частина

Мішок для пилу

Коли мішок для пилу засмічується й потужність пирососа зменшується, фільтр слід вимити в мильній воді. Перед використанням його слід ретельно висушити. Недостатньо висушений мішок може спричинити зниження потужності всмоктування й скорочення терміну служби двигуна.

► Рис.40

ПРИМІТКА: Паперовий фільтр призначено для одноразового використання.

Коли губчатий фільтр засмічується пилом, його слід зняти з пирососа та витерти або вимити у воді.

Зняття й встановлення губчатого фільтра

⚠ОБЕРЕЖНО: Після чищення губчатого фільтра його слід обов'язково встановити на пиросос. У разі промивання водою його слід просушити перед установленням. Недостатньо просушений губчатий фільтр може скоротити термін служби двигуна.

Щоб зняти губчатий фільтр, слід зняти мішок для пилу або паперовий фільтр, а потім защипнути й витягнути його.

► Рис.41: 1. Губчатий фільтр

Для установлення фільтра втисніть край губчатого фільтра по периметру западини на внутрішній стінці на ділянці розташування мішка для пилу / паперового фільтра.

► Рис.42: 1. Стінка із западиною

Очищення сопла

(Залежно від країни.)

Очищуйте щітку-насадку від пилу липкою стрічкою, коли насадка забруднюється.

► Рис.43: 1. Щітка

Настінне кріплення для бездротового пирососа

Додаткове приладдя

ПРИМІТКА: Гвинт для кріплення тримача до комплекту не входить. Виберіть гвинт відповідно до типу матеріалу.

Прикріпіть настінне кріплення для бездротового пирососа до стіни, балки або колони, зроблених із твердої деревини, де можна надійно закріпити бездротовий пиросос. Перед кріпленням пирососа завжди перевіряйте, щоб настінне кріплення для бездротового пирососа було надійно закріплено.

► Рис.44: 1. Настінне кріплення для бездротового пирососа 2. Штекер

⚠ОБЕРЕЖНО: Вішайте пиросос на настінне кріплення обережно й не вішайте жодних інших пристроїв, окрім пирососа.

ПРИМІТКА: Коли пиросос не заряджається, штекер можна зберігати на настінному кріпленні для бездротового пирососа, як показано на рисунку.

Усунення несправностей

Перш ніж здавати прилад до ремонту, слід перевірити такі моменти.

Ознака	Ділянка, яку слід обстежити	Спосіб усунення несправності
Слабка сила всмоктування	Чи накопився пил у мішку для пилу або паперовому фільтрі?	Спорожніть мішок для пилу або паперовий фільтр.
	Чи засмічений мішок для пилу?	Витрусіть пил з мішка для пилу або виперіть його.
	Чи засмічений паперовий фільтр?	Замініть паперовий фільтр.
	Чи розряджений акумулятор?	Зарядіть акумулятор.
Пристрій не працює	Чи розряджений акумулятор?	Зарядіть акумулятор.
Кришка пилозахисного кожуха не закривається	Переконайтеся в тому, що мішок для пилу або паперовий фільтр встановлено.	Установіть мішок для пилу або паперовий фільтр.

УВАГА: Не намагайтеся відремонтувати пиლოსос самотужки.

Утилізація очищувача

У цей очищувач вбудований літій-іонний акумулятор. Перш ніж утилізувати очищувач, його слід зняти.

Зняття вбудованого акумулятора

⚠ ОБЕРЕЖНО: Не слід торкатися клем будь-яким струмопровідним матеріалом.

⚠ ОБЕРЕЖНО: Не слід зберігати блок акумулятора в ємності з іншими металевими предметами, такими як цвяхи, монети й т. д.

⚠ ОБЕРЕЖНО: Не надавайте акумулятор впливу води чи дощу.

⚠ ОБЕРЕЖНО: Заборонено розбирати або модифікувати акумулятор.

⚠ ОБЕРЕЖНО: Знімайте акумулятор лише тоді, коли очищувач від'єднано від мережі.

1. Для того щоб зняти задню кришку, слід пересунути її в напрямку, який вказано стрілкою.

► **Рис.45:** 1. Задня кришка

2. Витягніть вбудований акумулятор наполовину. Від'єднайте дроти живлення від акумулятора, дещо посуваючи акумулятор назад і натискаючи при цьому на штекер у напрямку стрілки, як показано на рисунку.

► **Рис.46:** 1. Роз'єм 2. Дроти живлення

3. Потім повністю витягніть блок акумулятора.

► **Рис.47:** 1. Блок акумулятора

4. Покладіть знятий акумулятор у картонну коробку, щоб уникнути його короткого замикання.

Встановлення змінного акумулятора

Щоб встановити змінний акумулятор, виконайте процедуру його зняття у зворотному порядку.

⚠ ОБЕРЕЖНО: Перш ніж встановлювати задню кришку в початкове положення, розташуйте дріт живлення так, щоб він повністю був усередині пиლოსоса. Недотримання цієї інструкції може призвести до пошкодження дроту живлення.

► Рис.48

Після встановлення акумулятора (див. розділ «ТЕХНІЧНІ ХАРАКТЕРИСТИКИ») його слід зарядити, перш ніж переходити до експлуатації приладу.

ДОДАТКОВЕ ПРИЛАДДЯ

⚠ ОБЕРЕЖНО: Це допоміжне приладдя й обладнання рекомендовано використовувати з приладом Makita, зазначеним у цьому посібнику. Використання будь-якого іншого допоміжного приладдя й обладнання може призвести до травмування. Використовуйте допоміжне приладдя й обладнання лише за призначенням.

У разі необхідності отримати допомогу в більш детальному ознайомленні з оснащенням звертайтеся до місцевого сервісного центру Makita.

- Подовжувач (пряма труба)
- Штуцер
- Штуцер для килима
- Щітка для полиць
- Кутовий штуцер
- Кругла щітка
- Гнучкий шланг
- Паперовий фільтр
- Настінне кріплення для бездротового пиლოსоса
- Змінний акумулятор
- Вільний штуцер
- Насадка для очищення сидіння
- Сопло для чищення шіпін
- Циклонний фільтр

ПРИМІТКА: Деякі елементи списку можуть входити до комплекту пристрою як стандартне приладдя. Вони можуть відрізнятися залежно від країни.

ОСТОРОЖНО

Данный инструмент могут использовать дети с 8 лет и лица с ограниченными физическими, сенсорными или умственными способностями, а также не имеющие надлежащего опыта и знаний, только в случаях, когда они действуют под руководством или после надлежащего инструктажа по безопасному использованию инструмента и осознают возможные опасности. Не разрешайте детям играть с инструментом. Детям запрещается проводить чистку и обслуживание без контроля со стороны взрослых.

ТЕХНИЧЕСКИЕ ХАРАКТЕРИСТИКИ

Модель:		CL114FD
Производительность	с пылесборным мешком	500 мл
	с бумажным фильтром	330 мл
Продолжительное использование (с аккумулятором BL1020V)	3 (Режим максимальной скорости)	Приблизительно 10 мин
	2 (Режим высокой скорости)	Приблизительно 18 мин
	1 (Режим нормальной скорости)	Приблизительно 55 мин
Общая длина	Корпус пылесоса	458 мм
	С удлиняющей трубой и насадкой	983 мм
Масса нетто		1,1 кг
Номинальное напряжение		10,8–12 В пост. тока макс.

- Благодаря нашей постоянно действующей программе исследований и разработок указанные здесь технические характеристики могут быть изменены без предварительного уведомления.
- Технические характеристики могут различаться в зависимости от страны.
- В значение массы не входит масса принадлежностей.

Подходящий блок аккумулятора и зарядное устройство

Блок аккумулятора	Зарядное устройство для аккумуляторов	Время зарядки (часов)
BL1020V	DC1002	2,0

- Время зарядки зависит от температуры (10 °C (50 °F) – 40 °C (104 °F)), при которой происходит зарядка блока аккумулятора, и состояния блока аккумулятора (например от того, является ли он новым и в течение какого периода времени он не использовался).

⚠ ОСТОРОЖНО: Используйте только перечисленные выше блоки аккумуляторов и зарядные устройства. Использование других блоков аккумуляторов и зарядных устройств может привести к травме и/или пожару.

Символы

Ниже приведены символы, которые могут использоваться для обозначения оборудования. Перед использованием убедитесь в том, что вы понимаете их значение.



Прочитайте руководство по эксплуатации.



Съемный блок питания



Только для стран ЕС
Не выбрасывайте электрооборудование или аккумуляторы вместе с бытовым мусором! В соответствии с европейскими директивами об утилизации электрического и электронного оборудования, о батареях и аккумуляторах, а также использованных батареях и аккумуляторах и их применении в соответствии с местными законами электрооборудование, батареи и аккумуляторы, срок эксплуатации которых истек, должны утилизироваться отдельно и передаваться для утилизации на предприятие, соответствующее применяемым правилам охраны окружающей среды.

Назначение

Устройство предназначено для сбора сухой пыли.

МЕРЫ БЕЗОПАСНОСТИ

Правила техники безопасности при эксплуатации аккумулятора пылесоса

▲ОСТОРОЖНО: ВАЖНО! ВНИМАТЕЛЬНО ОЗНАКОМЬТЕСЬ со всеми инструкциями и рекомендациями по технике безопасности **ДО НАЧАЛА РАБОТЫ**. Невыполнение инструкций и рекомендаций может привести к поражению электротоком, пожару и/или тяжелым травмам.

1. Берегите от дождя. Храните в помещении.
2. Не позволяйте использовать в качестве игрушки. Если инструмент используют дети или инструмент используется рядом с детьми, соблюдайте особую осторожность.
3. Используйте только так, как описано в настоящем руководстве. Используйте только принадлежности, рекомендованные производителем.
4. Не используйте с поврежденным аккумулятором. Если инструмент не работает должным образом, был уронен, поврежден, забыт на улице или попал в воду, отнесите его в сервисный центр.
5. Не берите инструмент мокрыми руками.
6. Не помещайте какие-либо предметы в отверстия. Не используйте, если какое-либо отверстие заблокировано. Предотвращайте попадание пыли, пуха, волос и других материалов, способных уменьшить поток воздуха.
7. Держите волосы, свободную одежду, пальцы и другие части тела подальше от отверстий и движущихся деталей.
8. Перед снятием аккумулятора выключите все регуляторы.
9. Проявляйте особую осторожность при чистке на лестницах.
10. Не используйте для сбора огнеопасных или воспламеняющихся жидкостей, например бензина, и не используйте там, где они могут присутствовать.

11. Для зарядки используйте только зарядное устройство, поставляемое производителем.
12. Не собирайте ничего, что горит или дымится, например, окурки, спички или горячий пепел.
13. Не используйте без установленных фильтров и/или пылесборного мешка.
14. Не заряжайте аккумулятор на улице.
15. Заряжайте аккумулятор только зарядным устройством, указанным изготовителем. Зарядное устройство, подходящее для одного типа аккумуляторных блоков, может привести к пожару при его использовании с другим аккумуляторным блоком.
16. Используйте электроинструмент только с указанными аккумуляторными блоками. Использование других аккумуляторных блоков может привести к травме или пожару.
17. Когда аккумуляторный блок не используется, храните его отдельно от металлических предметов, таких как скрепки, монеты, ключи, гвозди, шурупы или другие небольшие металлические предметы, которые могут привести к короткому замыканию контактов аккумуляторного блока.
18. При неправильном обращении из аккумуляторного блока может потечь жидкость. Избегайте контакта с ней. В случае контакта с кожей промойте место контакта обильным количеством воды.
19. Не используйте поврежденные или модифицированные инструменты и аккумуляторные блоки. Поврежденные или модифицированные аккумуляторы могут работать некорректно, что может привести к пожару, взрыву или травмированию.
20. Не подвергайте аккумуляторный блок или инструмент воздействию огня или высокой температуры. Воздействие огня или температуры выше 130 °C может привести к взрыву.
21. Следуйте всем инструкциям по зарядке и не заряжайте аккумуляторный блок или инструмент при температурных условиях, выходящих за пределы диапазона, указанного в инструкции. Зарядка ненадлежащим образом или при температурных условиях, выходящих за пределы указанного диапазона, может привести к повреждению батареи и повысить риск пожара.

СОХРАНИТЕ ДАННЫЕ ИНСТРУКЦИИ.

ДОПОЛНИТЕЛЬНЫЕ ПРАВИЛА ТЕХНИКИ БЕЗОПАСНОСТИ

Этот инструмент предназначен для домашнего использования.

1. Перед использованием внимательно прочитайте это руководство по эксплуатации и руководство по эксплуатации зарядного устройства.
2. Запрещается собирать следующие материалы:

- горячие материалы (напр., зажженные сигареты) или искры/стружку при шлифовке/резании металла
- горючие материалы (например, бензин, растворитель, бензол, керосин или краска)
- взрывоопасные материалы (например, нитроглицерин)
- воспламеняющиеся материалы (например, алюминий, цинк, магний, титан, фосфор или целлулоид)
- жидкую грязь, воду, масло и подобные материалы
- твердые частицы с острыми краями (например, древесные стружки, металлы, камни, стекла, гвозди, штифты или бритвы)
- пыль от цемента или тонера
- электропроводящую пыль (например, металлов или угля)
- тонкодисперсные частицы (например, пыль от бетона)

Подобные действия могут привести к пожару, травмам и/или повреждению имущества.

3. Немедленно прекратите работу, если вы заметили какие-либо отклонения.
4. Тщательно проверьте пылесос перед началом эксплуатации на предмет наличия трещин и повреждений, если вы уронили или ударили его.
5. Не подносите близко к печам и источникам тепла.
6. Не блокируйте входные и вентиляционные отверстия.

СОХРАНИТЕ ДАННЫЕ ИНСТРУКЦИИ.

ВАЖНЫЕ ИНСТРУКЦИИ ПО ТЕХНИКЕ БЕЗОПАСНОСТИ

ДЛЯ ВСТРОЕННОГО АККУМУЛЯТОРА

1. Перед использованием встроенного аккумулятора прочитайте все инструкции и предупреждающие надписи на (1) зарядном устройстве, (2) аккумуляторе и (3) инструменте, работающем от аккумулятора.
2. Не разбирайте встроенный аккумулятор.
3. Если время работы значительно сократилось, немедленно прекратите работу. В противном случае может возникнуть перегрев блока, что приведет к ожогам и даже к взрыву.
4. В случае попадания электролита в глаза промойте их обильным количеством чистой воды и немедленно обратитесь к врачу. Это может привести к потере зрения.

5. Не замыкайте контакты встроенного аккумулятора.
 - (1) Не прикасайтесь к контактам какими-либо токопроводящими предметами.
 - (2) Не храните встроенный аккумулятор в контейнере вместе с другими металлическими предметами, такими как гвозди, монеты и т. п.
 - (3) Не допускайте попадания на встроенный аккумулятор воды или дождя. Замыкание контактов аккумулятора между собой может привести к возникновению большого тока, перегреву, возможному ожогу и даже поломке блока.
6. Не храните и не используйте инструмент и встроенный аккумулятор в местах, где температура может достигать или превышать 50 °C (122 °F).
7. Не подвергайте встроенный аккумулятор воздействию огня, даже если он сильно поврежден или полностью вышел из строя. Встроенный аккумулятор может взорваться под действием огня.
8. Не роняйте и не ударяйте аккумулятор.
9. Не используйте поврежденный встроенный аккумулятор.
10. Входящие в комплект литий-ионные аккумуляторы должны эксплуатироваться в соответствии с требованиями законодательства об опасных товарах. Для утилизации аккумулятора извлеките его из инструмента и утилизируйте безопасным способом. Выполняйте требования местного законодательства по утилизации аккумулятора.
11. Используйте аккумуляторы только с продукцией, указанной Makita.

СОХРАНИТЕ ДАННЫЕ ИНСТРУКЦИИ.

Советы по обеспечению максимального срока службы аккумулятора

1. Заряжайте встроенный аккумулятор до того, как он полностью разрядится. В случае потери мощности при эксплуатации инструмента прекратите работу и зарядите встроенный аккумулятор.
2. Никогда не заряжайте полностью заряженный встроенный аккумулятор. Перезарядка сокращает срок службы аккумулятора.
3. Заряжайте блок аккумулятора при комнатной температуре 10 - 40 °C (50 - 104 °F). Перед зарядкой дайте горячему встроенному аккумулятору остыть.
4. Заряжайте встроенный аккумулятор один раз в шесть месяцев, если инструмент не используется в течение длительного времени.

ОПИСАНИЕ РАБОТЫ

⚠ВНИМАНИЕ: Убедитесь, что устройство выключено, перед регулировкой и проверкой функций.

Зарядка встроенного аккумулятора

⚠ВНИМАНИЕ: Используйте только фирменные аккумуляторы Makita. Использование аккумуляторов, произведенных не компанией Makita, или аккумуляторов, подвергнутых модификациям, может привести к взрыву аккумулятора, пожару, травмам и повреждению имущества. Это также автоматически аннулирует гарантию Makita на изделие и зарядное устройство Makita.

⚠ВНИМАНИЕ: После зарядки всегда отсоединяйте штекер зарядного устройства от пылесоса.

⚠ВНИМАНИЕ: После отсоединения инструмента не оставляйте зарядное устройство подключенным к источнику питания. Маленькие дети могут поместить подключенную вилку в рот, что вызовет травмы.

Выполните зарядку пылесоса перед первым использованием или после длительного хранения в разряженном состоянии. Вставьте штекер зарядного устройства в гнездо для зарядки, затем подсоедините зарядное устройство к сетевой розетке.

► **Рис.1:** 1. Гнездо для зарядки

Загорается индикатор заряда, и начинается зарядка аккумулятора. После завершения зарядки индикатор гаснет. Подробнее см. в инструкции по эксплуатации зарядного устройства для аккумулятора.

► **Рис.2:** 1. Индикатор заряда аккумулятора

ПРИМЕЧАНИЕ: Индикатор заряда аккумулятора мигает, а аккумулятор нельзя зарядить, если аккумулятор или пылесос подвергается воздействию высоких температур.

ПРИМЕЧАНИЕ: Во время зарядки управление пылесосом невозможно. Для запуска пылесоса отсоедините зарядное устройство от источника электропитания, отсоедините штекер зарядного устройства от пылесоса и нажмите кнопку "Вкл./изменения скорости".

ПРИМЕЧАНИЕ: Наличие указанных далее состояний может свидетельствовать об окончании срока службы аккумулятора (или его повреждении / неисправности). Отсоедините зарядное устройство от источника электропитания, после чего замените аккумулятор.

- Индикатор заряда аккумулятора гаснет вскоре после начала зарядки пылесоса.
- Время работы пылесоса после полной зарядки аккумулятора сократилось более чем вдвое относительно нормального рабочего времени.

ПРИМЕЧАНИЕ: Приблизительное количество циклов зарядки аккумулятора не превышает 500. Количество циклов перезарядки зависит от условий зарядки и разрядки аккумулятора.

Действие выключателя

⚠ВНИМАНИЕ: Всегда выключайте пылесос после каждого использования во избежание его повреждения и для продления срока службы аккумуляторов.

Для включения пылесоса просто нажмите кнопку "Вкл./изменения скорости. Чтобы выключить инструмент, нажмите кнопку "Выкл.". Вы можете изменить скорость пылесоса за три шага путем нажатия кнопки "Вкл./изменения скорости. Первое нажатие на эту кнопку включает режим высокой скорости, второе — режим максимальной скорости, а третье — нормальное. Каждое последующее нажатие попеременно повторяет цикл высокой/максимальной/нормальной скорости.

► **Рис.3:** 1. Кнопка "Вкл./изменения скорости"
2. Кнопка "Выкл."

Индикатор заряда аккумулятора

Когда оставшийся заряд аккумулятора станет небольшим, индикатор заряда начинает мигать. Если оставшийся заряд аккумулятора станет критически низким, пылесос выключится, а индикатор заряда включится примерно на 10 секунд. В этом случае зарядите аккумулятор.

При перегреве аккумулятора или его перегрузке пылесос выключится, а индикатор заряда аккумулятора включится примерно на 10 секунд. Пылесос не может быть включен, если горит индикатор.

► **Рис.4:** 1. Индикатор заряда аккумулятора

ПРИМЕЧАНИЕ: Время, по истечении которого индикатор начинает мигать или загорается, зависит от температуры на рабочем месте и состояния аккумулятора.

Включение лампы

⚠ВНИМАНИЕ: Не смотрите непосредственно на свет или источник света.

Для включения подсветки просто нажмите кнопку "Вкл./изменения скорости. Нажмите кнопку "Выкл." для отключения подсветки. При включении пылесоса загорается световой индикатор.

► **Рис.5:** 1. Кнопка "Вкл./изменения скорости"
2. Кнопка "Выкл." 3. Лампа

СБОРКА

⚠ВНИМАНИЕ: Перед проведением каких-либо ремонтных работ обязательно проверяйте, что устройство выключено.

Пылесборный мешок и бумажный фильтр

Перед использованием пылесоса установите либо пылесборный мешок, либо бумажный фильтр. При установке пылесборного мешка или бумажного фильтра используйте заглушку для пыли.

Пылесборный мешок можно использовать повторно много раз, очищая его.

Бумажный фильтр необходимо выбрасывать после использования. Выбросьте бумажный фильтр, когда он заполнится, не опорожняая его.

ПРИМЕЧАНИЕ: Во избежание попадания пыли в мотор:

- Перед использованием инструмента убедитесь в наличии установленного пылесборного мешка или бумажного фильтра.
- При установке пылесборного мешка или бумажного фильтра также установите заглушку для пыли в слоты до фиксации.
- Не используйте поврежденный или разорванный мешок.

Несоблюдение данной инструкции может привести к повреждению двигателя.

ПРИМЕЧАНИЕ: При установке бумажного фильтра не сгибайте картонные части на его отверстиях.

ПРИМЕЧАНИЕ: Никогда не выбрасывайте заглушку для пыли, потому что она предназначена для повторного использования с пылесборным мешком и с бумажным фильтром.

ПРИМЕЧАНИЕ: Бумажный фильтр пылесоса – это важный компонент для сохранения работоспособности пылесоса. Использование бумажных фильтров других производителей может привести к появлению дыма или возгоранию.

ПРИМЕЧАНИЕ: Если пылесборный мешок или бумажный фильтр не установлен в пылесос, передняя крышка не закроется полностью.

► Рис.6

Установка пылесборного мешка

При установке пылесборного мешка используйте заглушку для пыли. Будьте внимательны, чтобы не перепутать верхнюю и нижнюю части, потому что они отличаются друг от друга.

► Рис.7: 1. Верхняя часть заглушки для пыли
2. Нижняя часть заглушки для пыли

1. Вставьте пылесборный мешок выступом в нижний паз на заглушке для пыли, как показано на рисунке.

► Рис.8: 1. Заглушка для пыли 2. Нижний паз
3. Пылесборный мешок

2. Между нижней и верхней сторонами пылесборного мешка нет разницы. Вы можете вставить его выступ любой стороной в нижний паз на заглушке для пыли.

► Рис.9: 1. Нижний паз

3. Перекройте рамку заглушки для пыли рамкой пылесборного мешка.

► Рис.10

4. Поместите одновременно заглушку для пыли и пылесборный мешок в углубление в пылесосе в направлении стрелки на заглушке для пыли. Вставьте их до упора в слоты углубления в пылесосе.

► Рис.11

5. Разверните тканевую часть пылесборного мешка внутри самого устройства.

► Рис.12

6. Полностью закройте переднюю крышку.

► Рис.13: 1. Передняя крышка

Установка бумажного фильтра

При установке бумажного фильтра используйте также заглушку для пыли. Будьте внимательны, чтобы не перепутать верхнюю и нижнюю части, потому что они отличаются друг от друга.

► Рис.14: 1. Верхняя часть заглушки для пыли
2. Нижняя часть заглушки для пыли

1. Разверните входную часть бумажного фильтра перед тем, как устанавливать его на заглушку для пыли.

► Рис.15

2. Вставьте выступ на бумажном фильтре в нижний паз на заглушке для пыли, как показано на рисунке.

► Рис.16: 1. Заглушка для пыли 2. Нижний паз
3. Бумажный фильтр

3. Между нижней и верхней сторонами бумажного фильтра нет разницы. Вы можете вставить его выступ любой стороной в нижний паз на заглушке для пыли.

► Рис.17: 1. Нижний паз

4. Перекройте рамку заглушки для пыли рамкой бумажного фильтра.

► Рис.18

5. Поместите одновременно заглушку для пыли и бумажный фильтр в углубление в пылесосе в направлении стрелки на заглушке для пыли. Вставьте их до упора в слоты углубления в пылесосе.

► Рис.19

6. Разверните контейнерную часть бумажного фильтра внутри пылесоса.

► Рис.20

7. Полностью закройте переднюю крышку.

► Рис.21: 1. Передняя крышка

ЭКСПЛУАТАЦИЯ

⚠ ВНИМАНИЕ: Во время работы с пылесосом не приближайте лицо слишком близко к вентиляционному отверстию. Попадание в глаза посторонних предметов может привести к травме.

Установка или удаление насадки пылесоса

⚠ ВНИМАНИЕ: После установки насадки убедитесь в надежности ее крепления. При неправильной установке насадки она может соскочить и нанести травму.

⚠ ВНИМАНИЕ: При снятии насадки будьте осторожны, чтобы не удариться рукой о стену и т. д.

При использовании насадки с фиксацией

Для установки насадки вставьте ее во впускное отверстие пылесоса до щелчка. Убедитесь в том, что насадка зафиксирована.

► **Рис.22:** 1. Впускное отверстие 2. Насадка с фиксацией 3. Крючок 4. Кнопка разблокировки

ПРИМЕЧАНИЕ: При установке насадки с фиксацией убедитесь в том, что кнопка разблокировки совмещена с крючком на насадке. Если их не совместить, насадка не будет зафиксирована и может соскочить с пылесоса.

Для удаления насадки потяните за нее, одновременно нажимая кнопку разблокировки.

► **Рис.23:** 1. Кнопка разблокировки 2. Насадка с фиксацией

При использовании насадки без фиксации

⚠ ВНИМАНИЕ: Для установки насадки без фиксации поверните и вставьте ее в указанном стрелкой направлении, чтобы зафиксировать соединение при эксплуатации. Чтобы снять насадку, поверните и извлеките ее также в направлении, указанном стрелкой.

► **Рис.24**

Чистка (всасывание)

Насадка

Прикрепите насадку для чистки столов, письменных столов, мебели и т. д. Насадка легко скользит.

► **Рис.25:** 1. Насадка

Насадка + удлиняющая труба (прямая труба)

Удлиняющая труба вставляется между насадкой и самим пылесосом. С помощью такого приспособления удобно чистить полы стоя.

► **Рис.26:** 1. Корпус пылесоса 2. Удлиняющая труба 3. Насадка

Угловая насадка

Прикрепите угловую насадку для чистки углов и щелей в сидениях автомобилей или мебели.

► **Рис.27:** 1. Угловая насадка 2. Корпус пылесоса

Угловая насадка + удлиняющая труба (прямая труба)

Используйте это приспособление в тесных углах, где невозможно поместить сам пылесос, или в труднодоступных высоких местах.

► **Рис.28:** 1. Угловая насадка 2. Удлиняющая труба 3. Корпус пылесоса

Чистка без насадки

Мелкие частицы и пыль можно собирать без насадки.

► **Рис.29**

Для сбора пыли с пола в положении стоя к пылесосу для удобства можно прикрепить удлиняющую трубу.

► **Рис.30:** 1. Удлиняющая труба

Удаление пыли

⚠ ВНИМАНИЕ: Опорожните пылесос до того, как он заполнится, или сила всасывания уменьшится.

⚠ ВНИМАНИЕ: Закрывая переднюю крышку, соблюдайте осторожность, чтобы не защемить пальцы.

ПРИМЕЧАНИЕ: Не выбрасывайте заглушку для пыли, поскольку она должна использоваться как с пылесборным мешком, так и с бумажным фильтром.

ПРИМЕЧАНИЕ: Если пылесборный мешок / бумажный фильтр не установлен в пылесос, передняя крышка не закроется полностью. Не прилагайте чрезмерных усилий при закрытии передней крышки. Это может привести к деформации или поломке пылесоса.

ПРИМЕЧАНИЕ: При очистке от пыли не забудьте очистить отсек для пылесборного мешка / бумажного фильтра. Оставшаяся пыль и грязь в отсеке может привести к засорению губчатого фильтра или повреждению двигателя.

1. Нажмите кнопку, чтобы открыть переднюю крышку. Если открыть крышку до щелчка, она зафиксируется в этом положении.

► **Рис.31:** 1. Передняя крышка 2. Кнопка

2. Извлеките одновременно оранжевую заглушку для пыли и пылесборный мешок / бумажный фильтр.

► **Рис.32:** 1. Заглушка для пыли

3. В зависимости от типа пылесборника выполните описанные далее процедуры.

При использовании пылесборного мешка

Удалите заглушку для пыли и опорожните пылесборный мешок.

► **Рис.33:** 1. Заглушка для пыли 2. Пылесборный мешок

При использовании бумажного фильтра

Удалите заглушку для пыли и утилизируйте бумажный фильтр.

► **Рис.34:** 1. Заглушка для пыли 2. Бумажный фильтр

4. Установите пылесборный мешок / новый бумажный фильтр и заглушку для пыли в пылесос и закройте переднюю крышку.

ПРИМЕЧАНИЕ: Если продолжить открывать крышку, когда угол открытия превысит 90°, крышка отсоединится. Если передняя крышка отсоединилась, вставьте ее обратно в разъем.

► **Рис.35:** 1. Передняя крышка 2. Стык передней крышки

ОБСЛУЖИВАНИЕ

ВНИМАНИЕ: Перед выполнением осмотра или обслуживанием устройства убедитесь, что оно выключено.

Для обеспечения БЕЗОПАСНОСТИ и НАДЕЖНОСТИ обслуживания ремонт, любое другое техобслуживание или регулировку необходимо производить в уполномоченных сервис-центрах Makita или сервис-центрах предприятия с использованием только сменных частей производства Makita.

ПРИМЕЧАНИЕ: Запрещается использовать бензин, растворители, спирт и другие подобные жидкости. Это может привести к обесцвечиванию, деформации и трещинам.

После использования

Прежде чем поместить пылесос на хранение или поставить на зарядку, зафиксируйте головку насадки. Повесьте устройство на крюк, имеющийся в продаже.

► **Рис.36**

ВНИМАНИЕ: Если прислонить пылесос к стене без дополнительных опор, пылесос может упасть и повредиться.

► **Рис.37**

Очистка

Корпус пылесоса

Время от времени протирайте внешнюю часть (корпус) пылесоса с помощью тряпки, смоченной мыльной водой. Также очищайте всасывающее отверстие, область крепления пылесборного мешка/бумажного фильтра и заглушку для пыли.

► **Рис.38**

Заглушка для пыли

Вытрите пыль с заглушки для пыли.

Удалите пыль и грязь с губчатой части, слегка постучав по ней.

► **Рис.39:** 1. Губчатая часть

Пылесборный мешок

Когда в фильтре скопится пыль и мощность всасывания пылесоса снизится, промойте пылесборный мешок в мыльной воде. Тщательно высушите его перед использованием. Из-за влажного мешка может снизиться мощность всасывания и уменьшиться срок службы мотора.

► **Рис.40**

ПРИМЕЧАНИЕ: Бумажный фильтр необходимо выбрасывать после использования.

Когда губчатый фильтр загрязнится пылью, извлеките его из пылесоса, а затем вытряхните его или промойте водой.

Снятие и установка губчатого фильтра

ВНИМАНИЕ: После очистки губчатого фильтра обязательно установите его в пылесос. Если вы промывали его водой, перед установкой высушите его. Неполностью высушенный губчатый фильтр может сократить срок службы мотора.

Для удаления губчатого фильтра извлеките пылесборный мешок или бумажный фильтр, а затем зажмите и извлеките губчатый фильтр.

► **Рис.41:** 1. Губчатый фильтр

Для установки фильтра прижмите края губчатого фильтра по всему периметру стенки с углублением в области установки пылесборного мешка / бумажного фильтра.

► **Рис.42:** 1. Стенка с углублением

Очистка насадки

(В зависимости от страны)

В случае загрязнения щетки на насадке очистите ее от пыли липкой лентой.

► **Рис.43:** 1. Щетка

Настенное крепление для аккумуляторного пылесоса

Дополнительные принадлежности

ПРИМЕЧАНИЕ: Винт для крепления держателя в комплект не входит. Выберите винт в соответствии с типом материала.

Прикрепите настенное крепление для аккумуляторного пылесоса к стене, балке или колонне, сделанной из твердой древесины, где можно надежно закрепить аккумуляторный пылесос. Перед креплением пылесоса всегда проверяйте, чтобы настенное крепление для аккумуляторного пылесоса было надежно закреплено.

► **Рис.44:** 1. Настенное крепление для аккумуляторного пылесоса 2. Штекер

ВНИМАНИЕ: Вешайте пылесос на настенное крепление осторожно и не вешайте никакие другие устройства, кроме пылесоса.

ПРИМЕЧАНИЕ: Когда пылесос не заряжается, штекер можно хранить на настенном креплении для аккумуляторного пылесоса, как показано на рисунке.

Устранение неполадок

Перед ремонтом проверьте следующее:

Признак	Что проверить	Способ крепления
Недостаточная сила всасывания	Пылесборный мешок или бумажный фильтр заполнены пылью?	Опорожните пылесборный мешок или бумажный фильтр.
	Пылесборный мешок засорен?	Вытряхните или промойте пылесборный мешок.
	Бумажный фильтр засорен?	Замените бумажный фильтр.
	Недостаточный заряд блока аккумулятора?	Зарядите блок аккумулятора.
Не работает	Недостаточный заряд блока аккумулятора?	Зарядите блок аккумулятора.
Крышка пылезащитного кожуха не закрывается	Убедитесь в том, что пылесборный мешок или бумажный фильтр установлен.	Установите пылесборный мешок или бумажный фильтр.

ПРИМЕЧАНИЕ: Не пытайтесь чинить пылесос самостоятельно.

Утилизация пылесоса

В этом пылесосе имеется встроенный ионно-литиевый аккумулятор. Обязательно удалите его перед утилизацией пылесоса.

Снятие встроенного аккумулятора

⚠ВНИМАНИЕ: Не прикасайтесь к контактам какими-либо токопроводящими предметами.

⚠ВНИМАНИЕ: Не храните аккумуляторный блок в контейнере вместе с другими металлическими предметами, такими как гвозди, монеты и т. п.

⚠ВНИМАНИЕ: Не допускайте попадания на аккумулятор воды или дождя.

⚠ВНИМАНИЕ: Не разбирайте и не изменяйте конструкцию аккумулятора.

⚠ВНИМАНИЕ: Прежде чем снимать аккумулятор, отключите пылесос от источника питания.

- Для снятия задней крышки нажмите на нее в направлении стрелки.
► **Рис.45:** 1. Задняя крышка
- Вытащите встроенный аккумулятор наполовину. Отсоедините выводы проводов от аккумулятора, нажав на разъем в направлении стрелки и плавно отодвигая аккумулятор, как показано на рисунке.
► **Рис.46:** 1. Разъем 2. Выводы проводов
- Затем полностью вытяните аккумуляторный блок.
► **Рис.47:** 1. Аккумуляторный блок
- Во избежание короткого замыкания поместите удаленный аккумулятор в картонную коробку.

Установка сменного аккумулятора

Для установки сменного аккумулятора выполните операции по снятию в обратном порядке.

⚠ВНИМАНИЕ: Перед тем как установить заднюю крышку в исходное положение, уложите провод так, чтобы он полностью находился внутри пылесоса. В противном случае можно повредить провод.

► **Рис.48**

После установки аккумулятора (см. "ТЕХНИЧЕСКИЕ ХАРАКТЕРИСТИКИ") зарядите его.

ДОПОЛНИТЕЛЬНЫЕ ПРИНАДЛЕЖНОСТИ

⚠ВНИМАНИЕ: Данные принадлежности или приспособления рекомендуются для использования с устройством Makita, указанным в настоящем руководстве. Использование других принадлежностей или приспособлений может привести к травме. Используйте принадлежности и приспособления только по назначению.

Если вам необходимо содействие в получении дополнительной информации по этим принадлежностям, свяжитесь с вашим сервис-центром Makita.

- Удлиняющая труба (прямая труба)
- Насадка
- Насадка для чистки ковра
- Щетка для чистки полок
- Угловая насадка
- Круглая щетка
- Гибкий шланг
- Бумажный фильтр
- Настенное крепление для аккумуляторного пылесоса
- Сменный аккумулятор
- Насадка
- Насадка для очистки сиденья
- Сопло для чистки щелей
- Циклонный фильтр

ПРИМЕЧАНИЕ: Некоторые элементы списка могут входить в комплект устройства в качестве стандартных приспособлений. Они могут различаться в зависимости от страны.

Makita Europe N.V. Jan-Baptist Vinkstraat 2,
3070 Kortenberg, Belgium

Makita Corporation 3-11-8, Sumiyoshi-cho,
Anjo, Aichi 446-8502 Japan

www.makita.com

885813-969
EN, SL, SQ, BG,
HR, MK, SR, RO,
UK, RU
20200629