

# JET

**MBS-708CST**

**MITER BANDSAW**

**MBS-708CST.... 50000332T .....3~400V, 50Hz**

## PARTS LIST

**JPW (Tool) AG.**

Tämperlistrasse 5  
CH-8117 Fällanden  
Switzerland

Phone +41 44 806 47 48

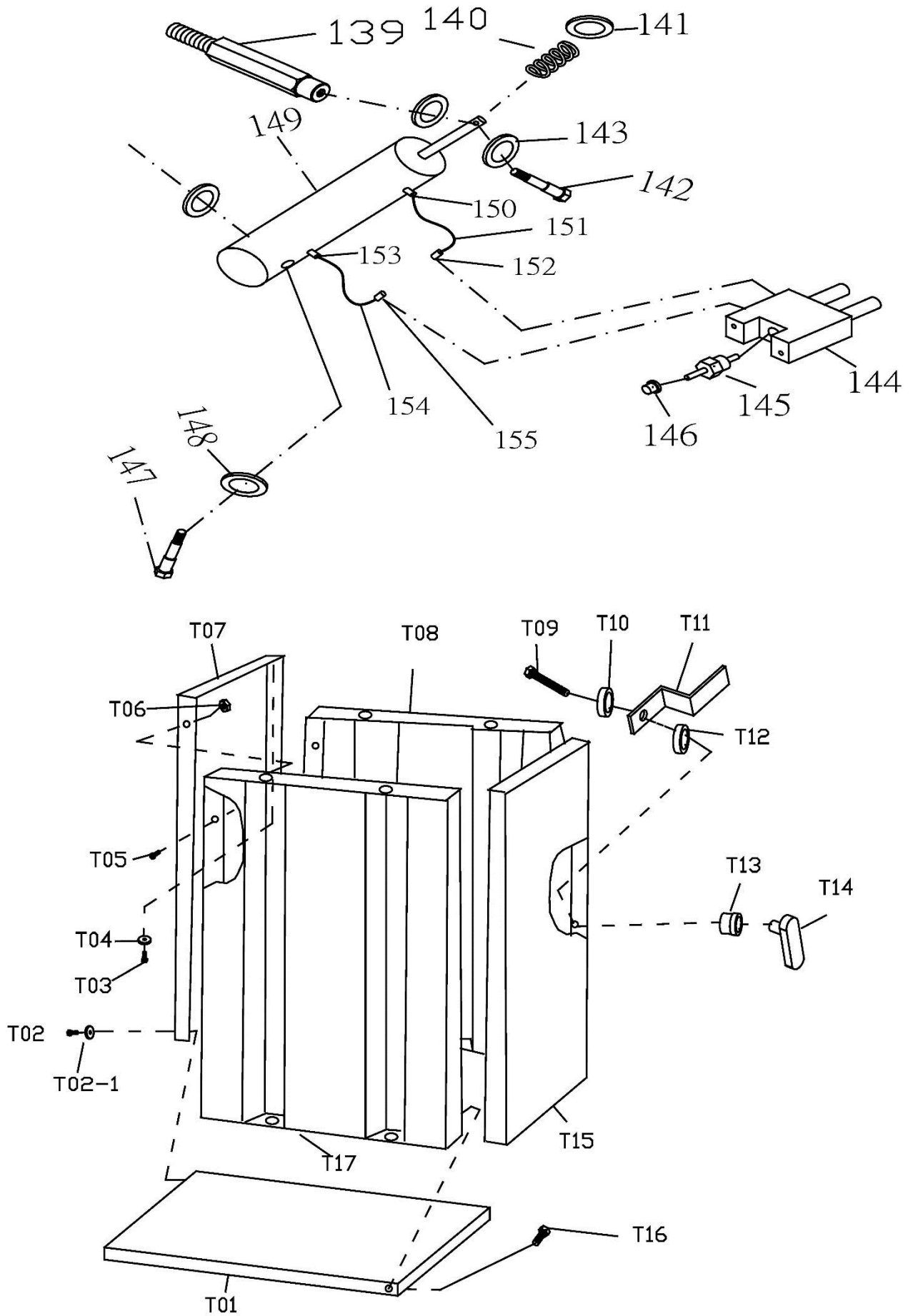
Fax +41 44 806 47 58

[www.jettools.com](http://www.jettools.com)

P-50000332T

2017-06

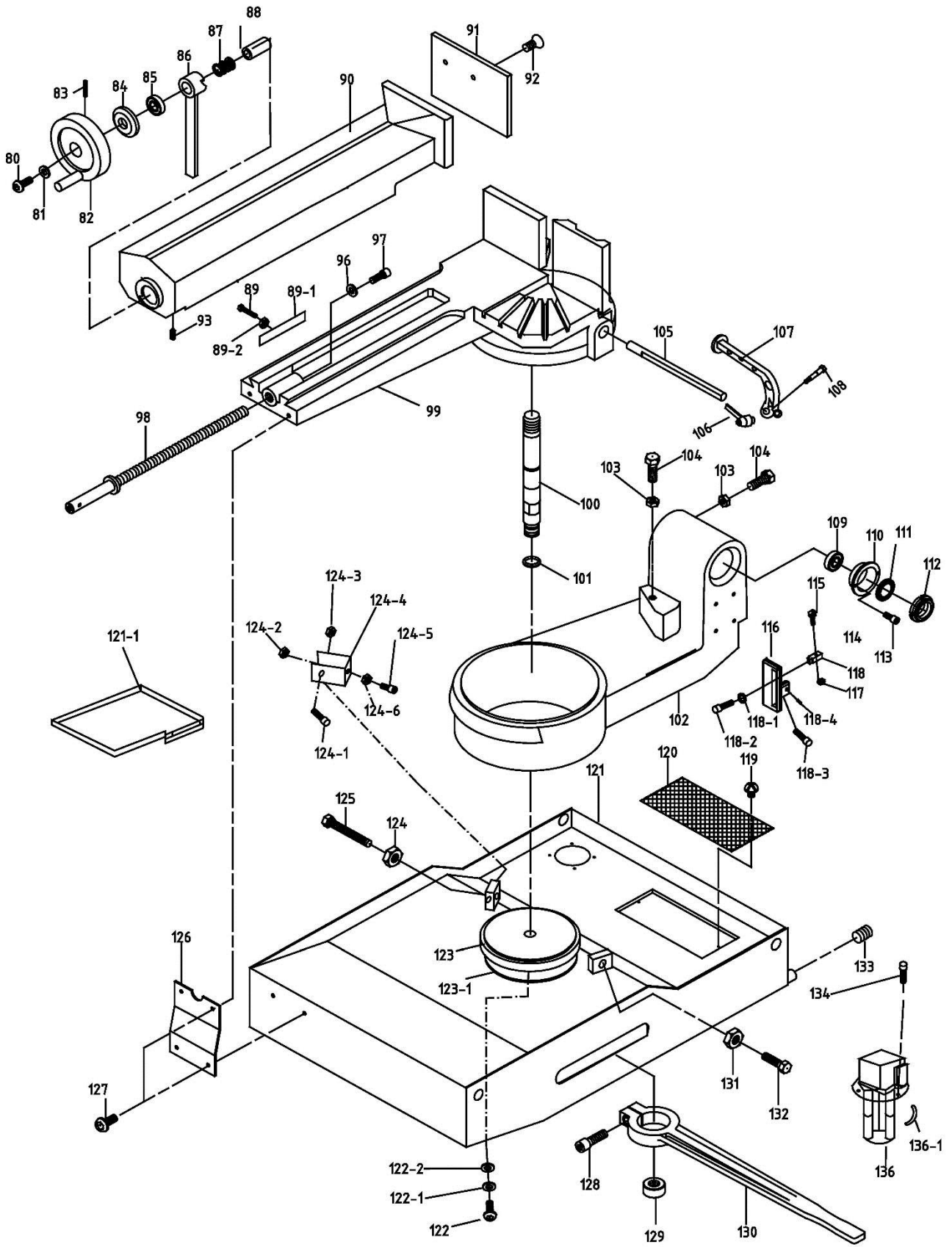
MBS-708CST Cylinder and Stand breakdown



### MBS-708CST Cylinder and Stand Assembly

Index No.	Part No.	Description	Size	Q'ty
139	MBS-708CSV-139	Cylinder Bracket		1
140	MBS-708CSV-140	Spring		1
141	MBS-708CSV-141	Bushing	14x32x10	1
142	MBS-708CSV-142	CAP Screw	10x55	1
142-1	MBS-708CSV-142-1	Nut	M10	2
143	MBS-708CSV-143	Washer	23X27X3	2
144	MBS-708CSV-144	Alu Set		1
145	MBS-708CSV-145	Valve		1
146	MBS-708CSV-146	Knob		1
147	MBS-708CSV-147	CAP Screw	12x80	1
148	MBS-708CSV-148	Washer	12x28x3	1
149	MBS-708CSV-149	Cylinder		1
150	MBS-708CSV-150	Copper Connect		1
151	MBS-708CSV-151	Oil Hose		1
152	MBS-708CSV-152	Copper Connect		1
153	MBS-708CSV-153	Copper Connect		1
154	MBS-708CSV-154	Oil Hose		1
155	MBS-708CSV-155	Copper Connect		1
	MBS-708CSV-CA	Cylinder Assembly (including 139-155)		1
T01	MBS-708CSV-T01	Down Plate		1
T02	MBS-708CSV-T02	Screw		1
T03	MBS-708CSV-T03	Screw	M10x25	4
T04	MBS-708CSV-T04	Washer	M10x27x3	4
T05	MBS-708CSV-T05	Screw	5/16x1/2	4
T06	MBS-708CSV-T06	Nut	5/16"	8
T07	MBS-708CSV-T07	Back Plate		1
T08	MBS-708CSV-T08	Right Support		1
T09	MBS-708CSV-T09	Handle Screw		1
T10	MBS-708CSV-T10	Bushing		1
T11	MBS-708CSV-T11	Luck Plate		1
T12	MBS-708CSV-T12	Bushing		1
T13	MBS-708CSV-T13	Ring		1
T14	MBS-708CSV-T14	Handle		1
T15	MBS-708CSV-T15	Front Door		1
T16	MBS-708CSV-T16	Screw		2
T17	MBS-708CSV-T17	Left Support Plate		1

# MBS-708CST Base and Swivel breakdown



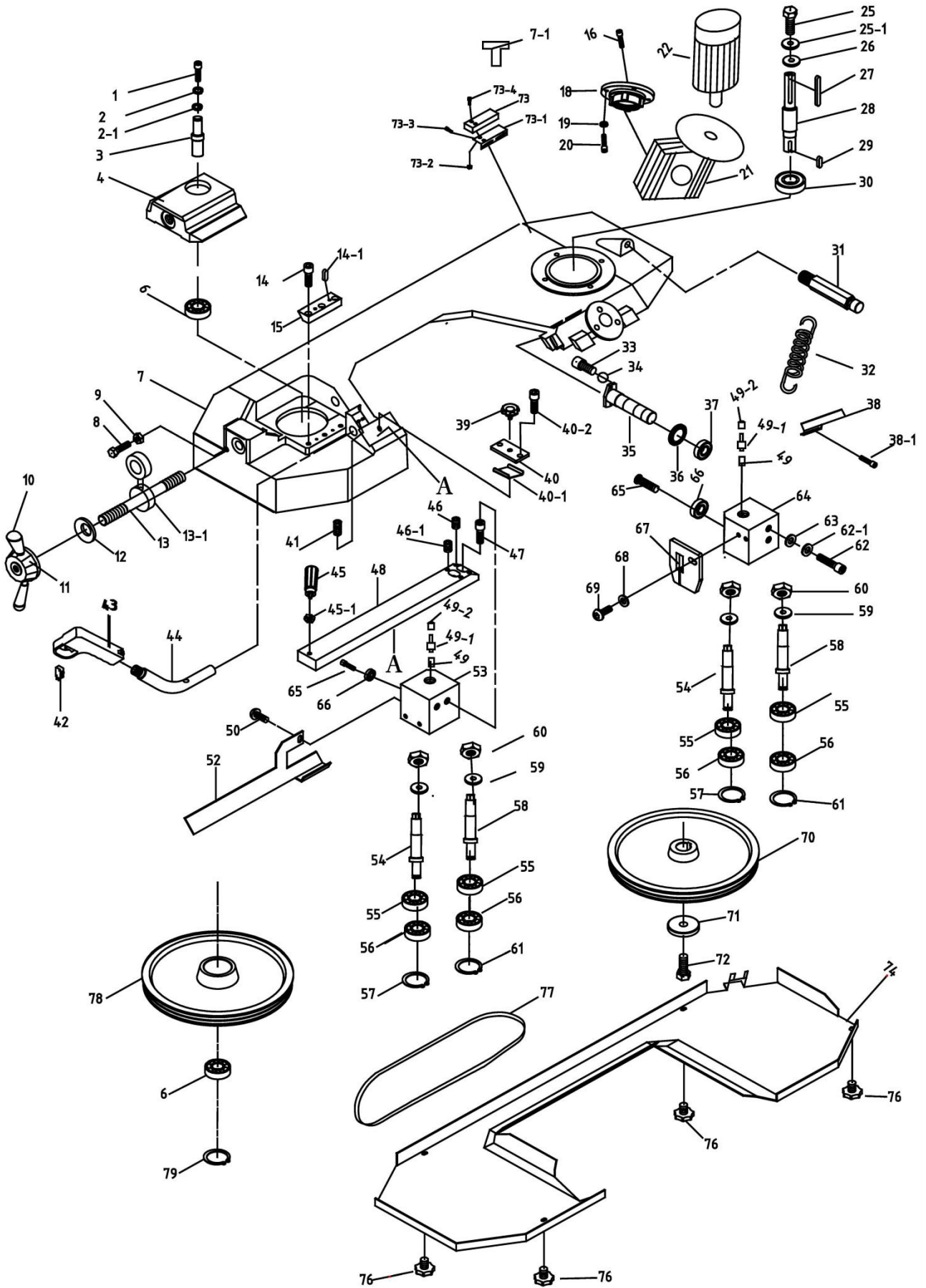
### MBS-708CST Base and Swivel Assembly

Index No.	Part No.	Description	Size	Q'ty
80	MBS-708CSV-80	Screw	M8x20	1
81	MBS-708CSV-81	Washer	M8	1
82	MBS-708CSV-82	Wheel		1
83	MBS-708CSV-83	Set Screw	5/16x5/16	1
84	MBS-708CSV-84	Bearing Cover		1
85	MBS-708CSV-85	Bearing	51106	1
86	MBS-708CSV-86	Vise Handle		1
87	MBS-708CSV-87	Spring		1
88	MBS-708CSV-88	Bushing		3
89	MBS-708CSV-89	Screw	M6x25	1
89-1	MBS-708CSV-89-1	Slide		3
89-2	MBS-708CSV-89-2	Nut	M6	1
90	MBS-708CSV-90	Vise Jaw Bracket (Front)		1
91	MBS-708CSV-91	Vise Plate		1
92	MBS-708CSV-92	Screw	M8x16	1
93	MBS-708CSV-93	Set Screw	M8x20	1
96	MBS-708CSV-96	Washer	M8x16x2	1
97	MBS-708CSV-97	Screw	M8x20	1
99	MBS-708CSV-99	Vise Jaw Bracket (Rear)		1
100	MBS-708CSV-100	Vise Jaw Adjustable Rod		1
101	MBS-708CSV-101	O-Retainer Ring		1
102	MBS-708CSV-102	Swivel Arm		2
103	MBS-708CSV-103	Hex. Nut		2
104	MBS-708CSV-104	Screw		2
105	MBS-708CSV-105	Distance Set Rod		1
105-1	MBS-708CSV-105-1	Nut	M12	1
106	MBS-708CSV-106	Knob Nut	M6	1
107	MBS-708CSV-107	Distance Set Bracket	M8x30	1
108	MBS-708CSV-108	Screw		1
109	MBS-708CSV-109	Bearing	32006	1
110	MBS-708CSV-110	Bushing		1
111	MBS-708CSV-111	Bearing Cover		1
112	MBS-708CSV-112	Nut	M30x1.5	2
113	MBS-708CSV-113	Screw	M6x16	1
115	MBS-708CSV-115	Spring Holder		2
116	MBS-708CSV-116	Spring Support		1
117	MBS-708CSV-117	Nut	M10	1
118	MBS-708CSV-118	Spring Holder		1
118-1	MBS-708CSV-118-1	Washer	8x23x3	1
118-2	MBS-708CSV-118-2	Screw	8x20	1
118-3	MBS-708CSV-118-3	Screw	12x30	1
118-4	MBS-708CSV-118-4	Pin	6x15	2
119	MBS-708CSV-119	Screw	M5x8	1
120	MBS-708CSV-120	Filter		2
121	MBS-708CSV-121	Base		1
121-1	MBS-708CSV-121-1	Water Plate		6
122	MBS-708CSV-122	CAP Screw	M12X25	6
122-1	MBS-708CSV-122-1	Spring Washer	M10	6
122-2	MBS-708CSV-122-2	Washer	10x27x3	1
123	MBS-708CSV-123	Swivel Plate		1
123-1	MBS-708CSV-123-1	Oil Seal	G-125	1
124	MBS-708CSV-124	Hex. Nut		1
124-1	MBS-708CSV-124-1	Screw		1
124-2	MBS-708CSV-124-2	Nut	M8	2
124-3	MBS-708CSV-124-3	Nut	M6	1
124-4	MBS-708CSV-124-4	45 degree plate		1
124-5	MBS-708CSV-124-5	Screw	10x25	1
124-6	MBS-708CSV-124-6	Nut	M10	1
125	MBS-708CSV-125	Screw	M10x40	1

**MBS-708CST Base and Swivel Assembly**

<b>Index No.</b>	<b>Part No.</b>	<b>Description</b>	<b>Size</b>	<b>Q'ty</b>
126	MBS-708CSV-126	Fixed Plate		1
127	MBS-708CSV-127	CAP Screw	6x16	4
127-1	MBS-708CSV-127-1	Washer	6x16x1.5	4
128	MBS-708CSV-128	Screw	M10x30	1
129	MBS-708CSV-129	Big Nut	M24	1
130	MBS-708CSV-130	Adjustable Handle		1
131	MBS-708CSV-131	Hex. Nut	M10	1
132	MBS-708CSV-132	Screw	M10x40	1
133	MBS-708CSV-133	Hex Socket Plug	3/8"PT	1
134	MBS-708CSV-134	Screw	M6x12	4
136	MBS-708CST-136	Pump	400V,3Ph	1
136-1	MBS-708CSV-136-1	L-Copper	3/8x6	1

# MBS-708CST Bow breakdown



### MBS-708CST Bow Assembly

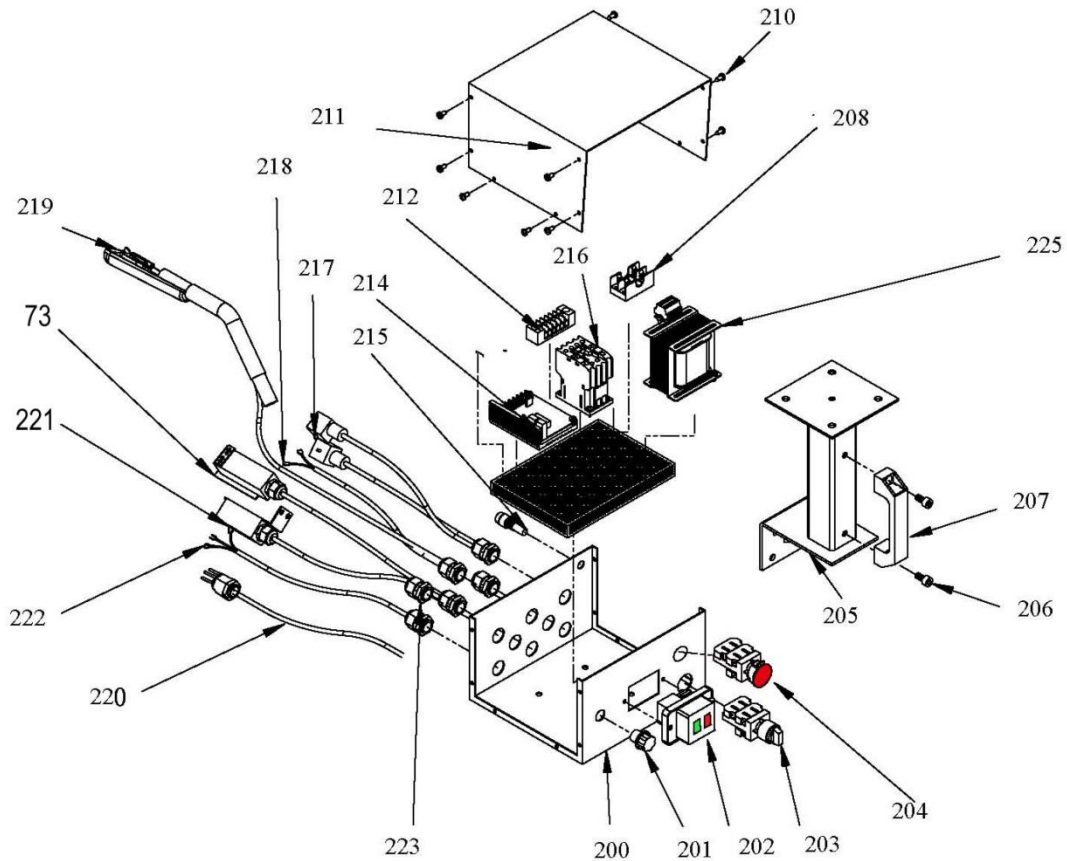
Index No.	Part No.	Description	Size	Q'ty
1	MBS-708CSV-01	CAP Screw	M10x25	1
2	MBS-708CSV-02	Spring Washer	M10	1
2-1	MBS-708CSV-02-1	Washer	10x40x5	1
3	MBS-708CSV-03	Shaft		1
4	MBS-708CSV-04	Anchor Block		1
6	MBS-708CSV-06	Bearing	6204	2
7	MBS-708CSV-07	Body Frame		1
7-1	MBS-708CSV-07-1	Heart T Plug		1
8	MBS-708CSV-08	Screw	M6x30	1
9	MBS-708CSV-09	Nut		1
10	MBS-708CSV-10	Handle		2
11	MBS-708CSV-11	Handle Screw		1
12	MBS-708CSV-12	Washer	16x31.5x2.5	8
13	MBS-708CSV-13	Screw		1
13-1	MBS-708CSV-13-1	Tension Gauge		1
14	MBS-708CSV-14	CAP Screw	M8x20L	3
14-1	MBS-708CSV-14-1	Pin	M5x10	2
15	MBS-708CSV-15	Fixed Block		1
16	MBS-708CSV-16	Screw	M8x40	4
18	MBS-708CSV-18	Flange		1
19	MBS-708CSV-19	Washer	M8	4
20	MBS-708CSV-20	Screw	M8x20	4
21	MBS-708CSV-21	Reducer		1
22	MBS-708CST-22	Motor	400V,3Ph	1
23	MBS-708CSV-23	UP Cover		1
25	MBS-708CSV-25	Screw	M10x25	1
25-1	MBS-708CSV-25-1	Spring washer	M10	1
26	MBS-708CSV-26	Washer	M10	1
27	MBS-708CSV-27	Key	8x7x70	1
28	MBS-708CSV-28	Output Shaft		1
29	MBS-708CSV-29	Key	7x7x30	1
30	MBS-708CSV-30	Bearing	6206	1
31	MBS-708CSV-31	Spring Support		1
32	MBS-708CSV-32	Spring		1
33	MBS-708CSV-33	Screw	M6x20	2
34	MBS-708CSV-34	Spring Washer	M6	2
35	MBS-708CSV-35	Frame Pivot Shaft		1
36	MBS-708CSV-36	Anti-Chip Cover		1
37	MBS-708CSV-37	Tapered Bearing	32006	1
38	MBS-708CSV-38	Blade Cover (Rear)		1
38-1	MBS-708CSV-38-1	Screw	M5x8	1
39	MBS-708CSV-39	Knob Screw	3/8" x 1"	1
40	MBS-708CSV-40	Fixed Block		1
40-1	MBS-708CSV-40-1	Plate		1
40-2	MBS-708CSV-40-2	Screw	M8x16	1
41	MBS-708CSV-41	Set Screw	M8x8	2
42	MBS-708CSV-42	Switch		1
43	HS201402	Head Lever Handgrip		1
44	MBS-708CSV-44	Handle Pipe		1
45	MBS-708CSV-45	Screw Handle	M10x25	1
45-1	MBS-708CSV-45-1	Nut	M10	1
46	MBS-708CSV-46	Set Screw	M6x10	2
46-1	MBS-708CSV-46-1	Set Screw	M6x16	2
47	MBS-708CSV-47	Screw	M8x20	2
48	MBS-708CSV-48	Blade Adjust Stick		1
49	MBS-708CSV-49	Water Valve		2
49-1	MBS-708CSV-49-1	Strench Connect	1/8x1/8	2
49-2	MBS-708CSV-49-2	Pipe Connect	SPC1001	2
50	MBS-708CSV-50	Screw	M5x10	2



### MBS-708CST Bow Assembly

Index No.	Part No.	Description	Size	Q'ty
52	MBS-708CSV-52	Blade Cover (Front)		1
53	MBS-708CSV-53	Blade Adjust (Front)		1
54	MBS-708CSV-54	Eccentric Guide		2
55	MBS-708CSV-55	Bearing	608	4
56	MBS-708CSV-56	Bearing	608	4
57	MBS-708CSV-57	S-Ring	S-7	2
58	MBS-708CSV-58	Eccentric Guide		2
59	MBS-708CSV-59	Spring Washer	M10	4
60	MBS-708CSV-60	Nut	3/8 UNF	4
61	MBS-708CSV-61	S-Ring	S-7	2
62	MBS-708CSV-62	Screw	M8x30	2
62-1	MBS-708CSV-62-1	Spring Washer	M8	2
63	MBS-708CSV-63	Washer	8x16x2	2
64	MBS-708CSV-64	Blade Adjustable (Rear)		1
65	MBS-708CSV-65	Pin	8x36	2
66	MBS-708CSV-66	Bearing	608	2
67	MBS-708CSV-67	Chip Plate		1
68	MBS-708CSV-68	Washer	M5	1
69	MBS-708CSV-69	Screw	M5x10	1
70	MBS-708CSV-70	Drive Wheel		1
71	MBS-708CSV-71	Washer	M10x40x5	1
72	MBS-708CSV-72	Screw	M10x25	1
73-1	MBS-708CSV-73-1	Switch Support		1
73-2	MBS-708CSV-73-2	Nut		1
73-3	MBS-708CSV-73-3	Screw		1
73-4	MBS-708CSV-73-4	Screw		1
74	MBS-708CSV-74	Blade Back Cover		1
76	MBS-708CSV-76	Knob Screw	M6x10	4
77	MBS-708CSV-77	Saw Blade		1
78	MBS-708CSV-78	Idler Wheel		1
79	MBS-708CSV-79	S-Ring	S-25	1

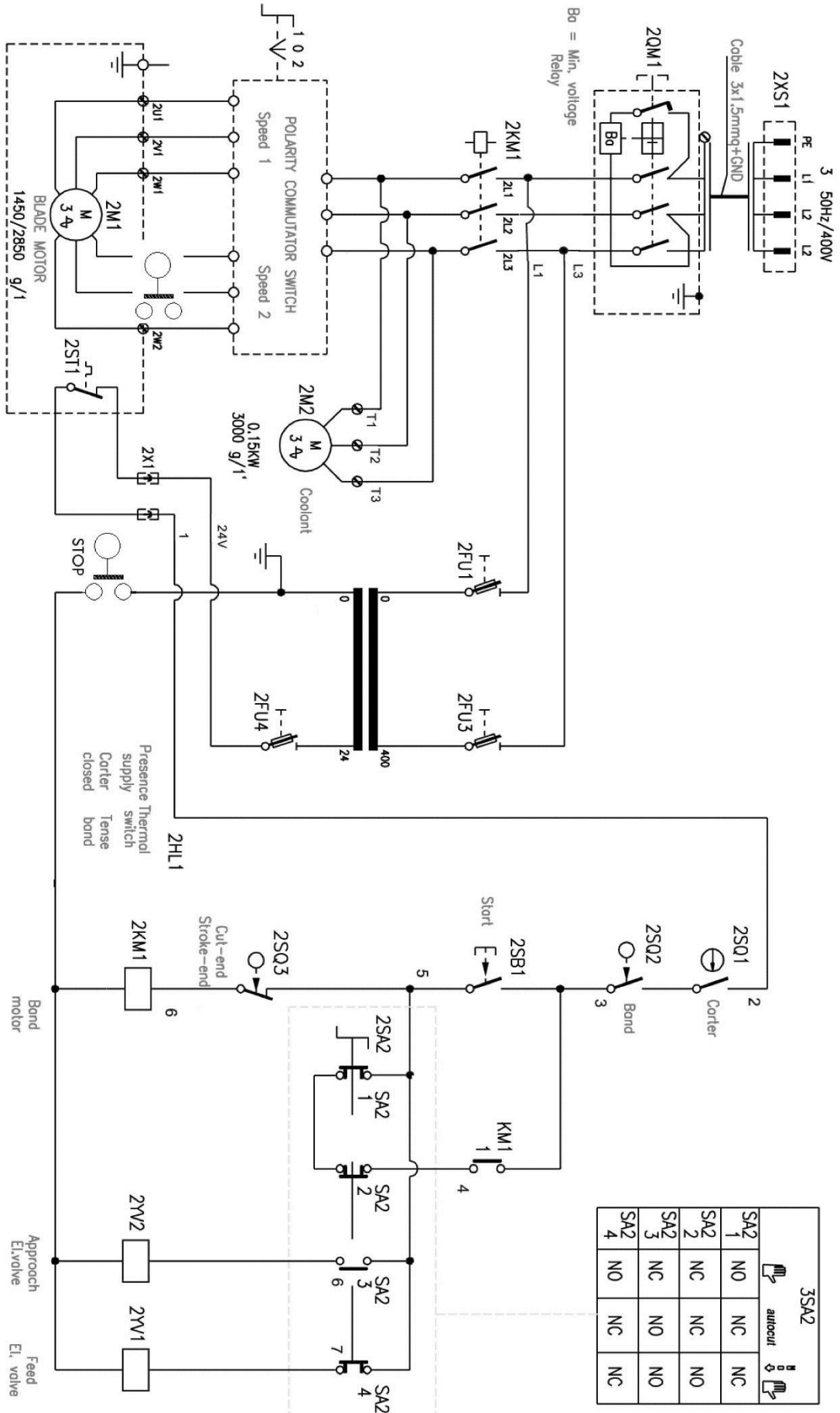
### MBS-708CST Electrical breakdown

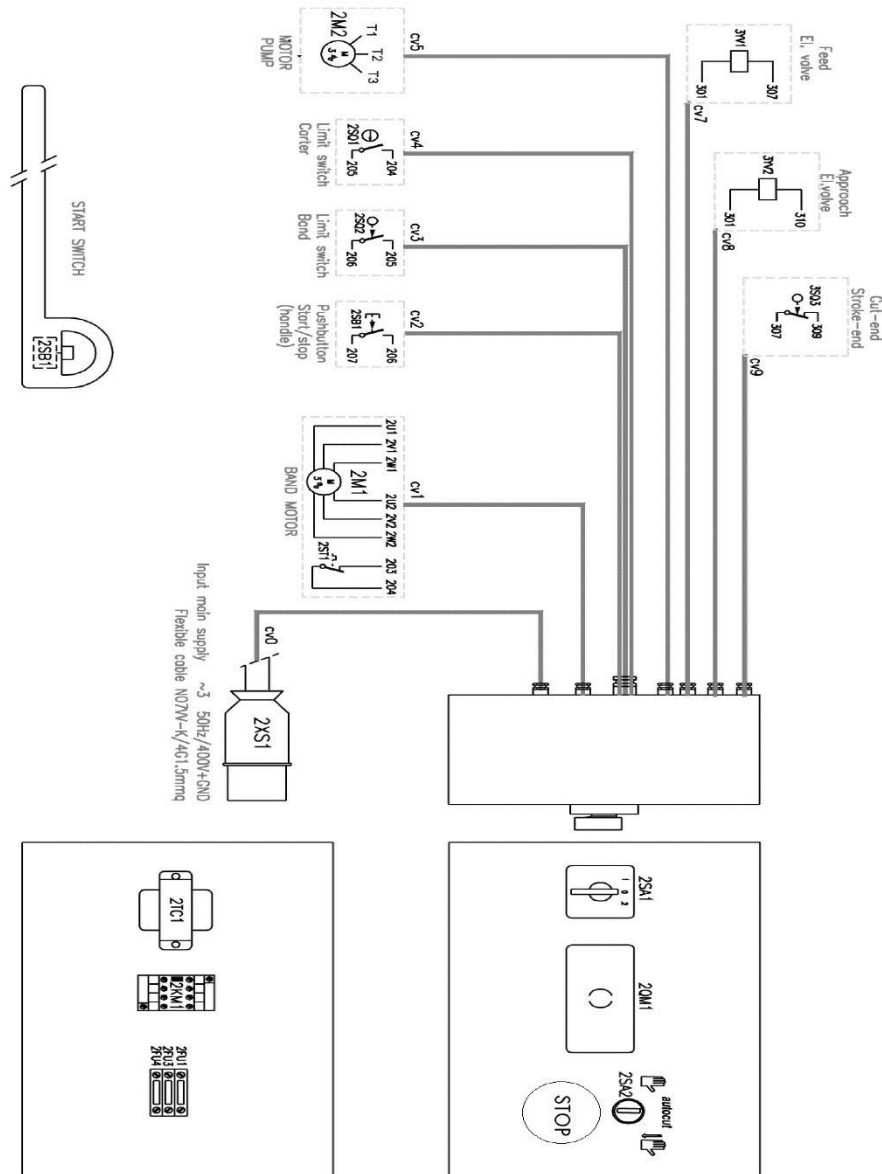


### MBS-708CST Electrical Assembly

Index No.	Part No.	Description	Size	Q'ty
	MBS-708CST-137	Switch Assembly (including 73~225)		1
73	MBS-708CSV-73	Limit Switch For Blade Cover		1
138-1	MBS-708CSV-138-1	Screw (not show)	M8x16	4
138-2	MBS-708CSV-138-2	Washer (not show)	8x18x2	4
138-3	MBS-708CSV-138-3	CAP Screw (not show)	8x16	2
138-4	MBS-708CSV-138-4	Spring Washer (not show)	M8	4
200	MBS-708CSV-200	Switch Set		1
201	MBS-708CST-201	Cam Switch (Hi/Low)		1
202	MBS-708CST-202	Main Switch (On/Off)	KJD-18	1
203	MBS-708CSV-203	3 Position Button		1
204	MBS-708CSV-204	Emergency Switch		1
205	MBS-708CSV-205	Switch Support		1
206	MBS-708CSV-206	Screw		1
207	MBS-708CSV-207	Switch Handle		1
208	MBS-708CST-208	Fuse And Bridge	1A	1
210	MBS-708CSV-210	Switch Cover		1
211	MBS-708CSV-211	Screw		1
212	MBS-708CSV-212	Terminal Block		1
215	MBS-708CSV-215	Fuse And Bridge	6A	1
216	MBS-708CSV-216	Contactor	S-P09	1
217	MBS-708CSV-217	Valve		1
218	MBS-708CSV-218	Wire For Handle		1
219	HS201402	Head Lever Handgrip		1
220	MBS-708CST-220	Wire For Cooling Pump	4C	1
221	MBS-708CSV-221	Limit Switch For Cut Off		1
222	MBS-708CST-222	Wire For Motor	4C	1
223	MBS-708CSV-223	Cable Protector		1
225	MBS-708CST-225	Transformer	400V/24V/30AV	1

MBS-708CST... 5000332T .... 3~400V, 50Hz





Reference	DESCRIPTION
2QM1	MAIN SWITCH
2M1	SAW MOTOR
2M2	COOLING PUMP
2KM1	CONTACTOR(SAW MOTOR HINGH SPEED) / 24V
2FU1.2,3	FUSE AND BRIDGE(1A)
2FU4	FUSE AND BRIDGE(6A)
2TC1	TRANSFORMER 400V/24V/30AV
2SB1	START SWIECH
2SQ2	LIMIT SWITCH
2SQ3	CUT CONTACTOR
2SQ4	EMERGENCY SWITCH
2SA2	3 POSITON BUTTION(SPEED SAW)
2YV1	Feed EL.Valve
2YV2	Approoch EL.Valve
2SA1	CAM SWITCH (HI/LOW)
2HL1	Pilot lights (24V)