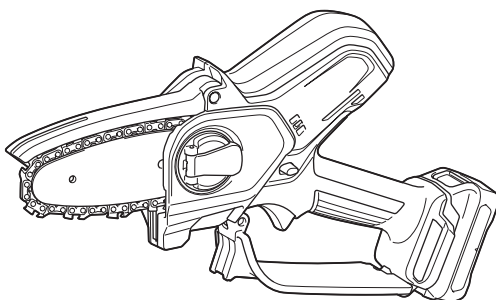




EN	Cordless Pruning Saw	INSTRUCTION MANUAL	8
RU	Аккумуляторная цепная пила	РУКОВОДСТВО ПО ЭКСПЛУАТАЦИИ	20
KK	Аккумуляторлы шынжырлы ара	ПАЙДАЛАНУ ЖӨНІНДЕГІ НҮСҚАУЛЫҚ	34

UC100D



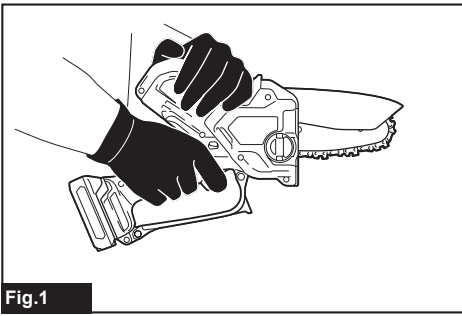


Fig.1

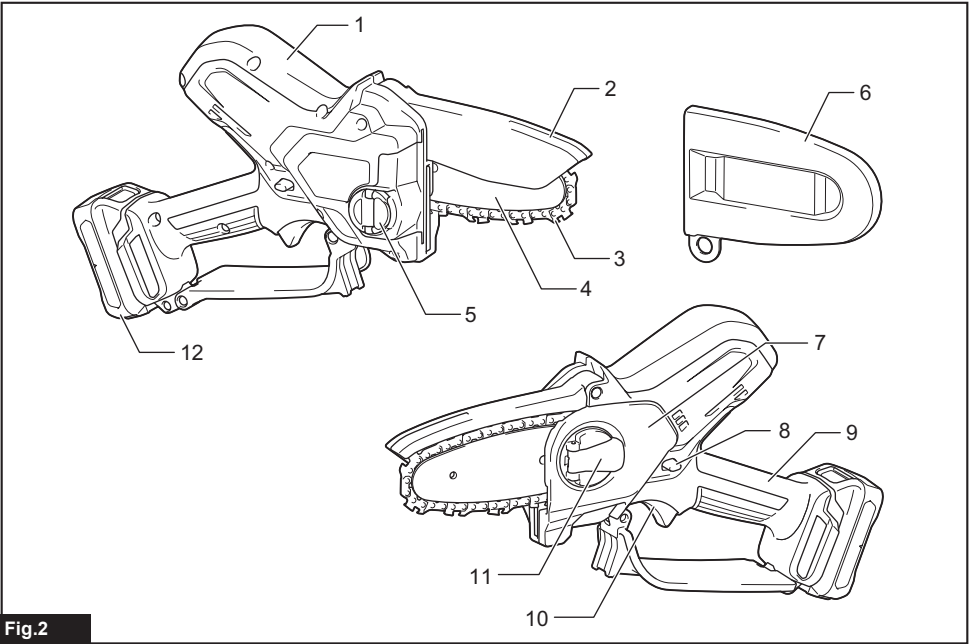


Fig.2

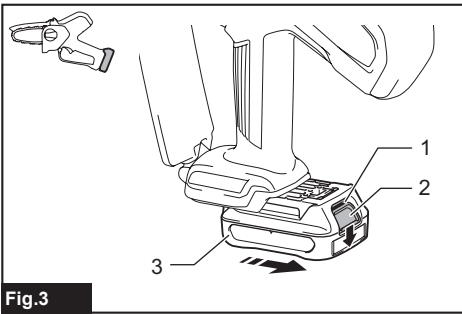


Fig.3

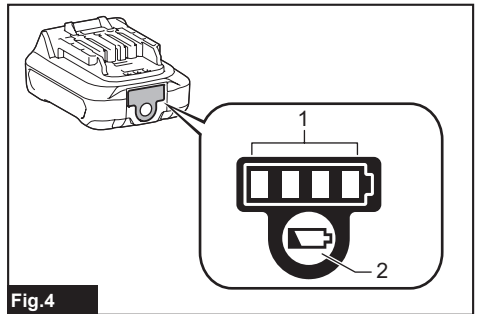


Fig.4

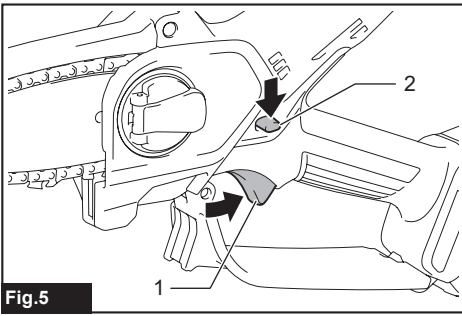


Fig. 5

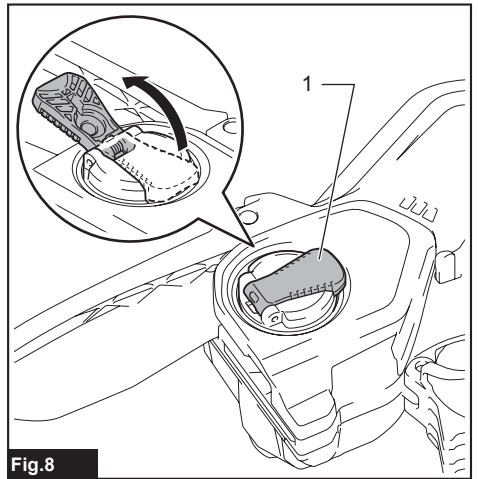


Fig. 8

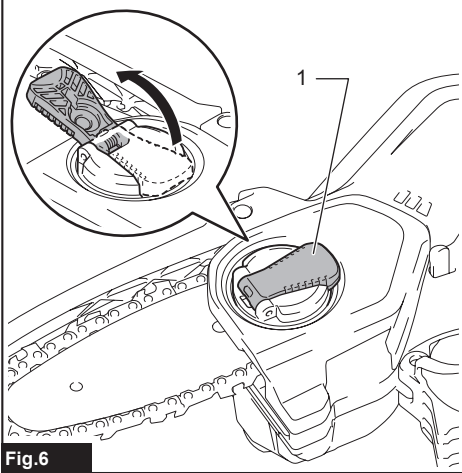


Fig. 6

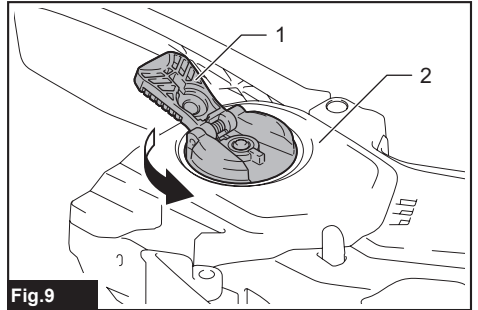


Fig. 9

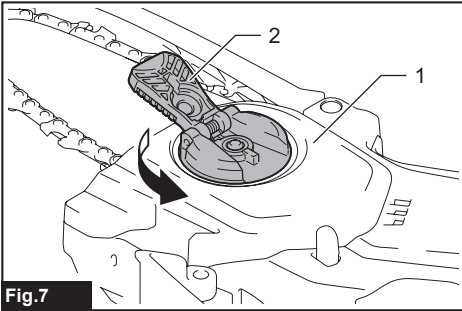


Fig. 7

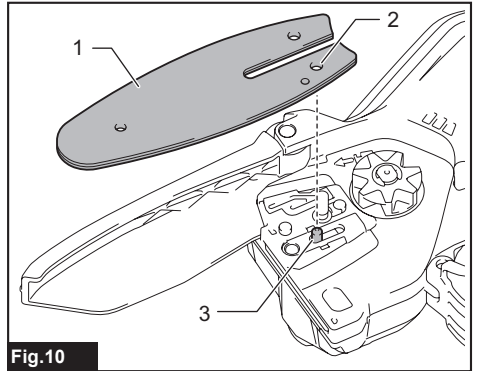
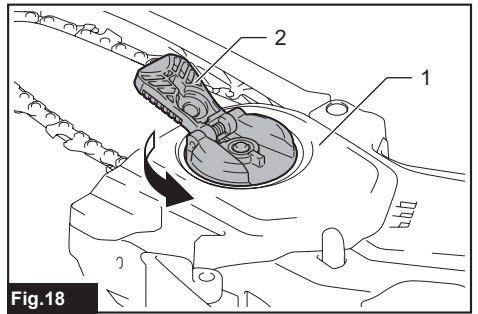
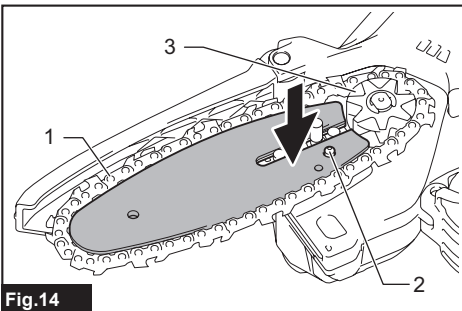
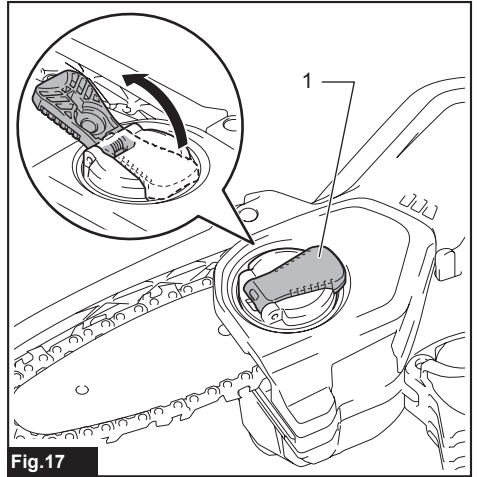
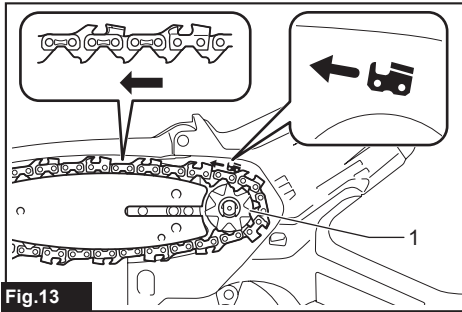
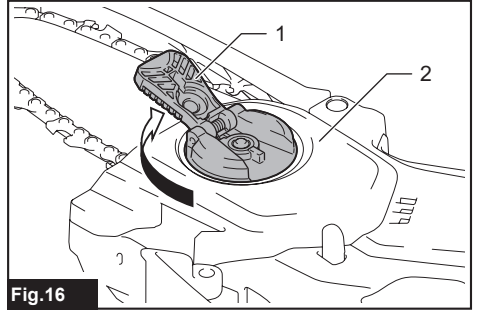
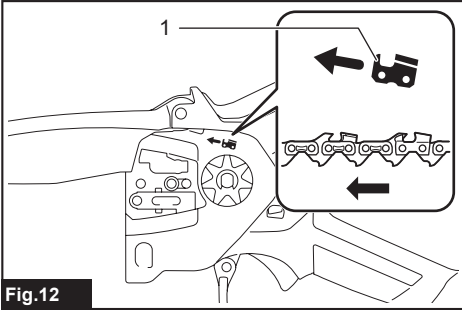
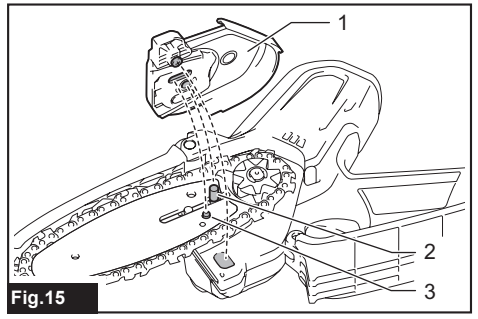
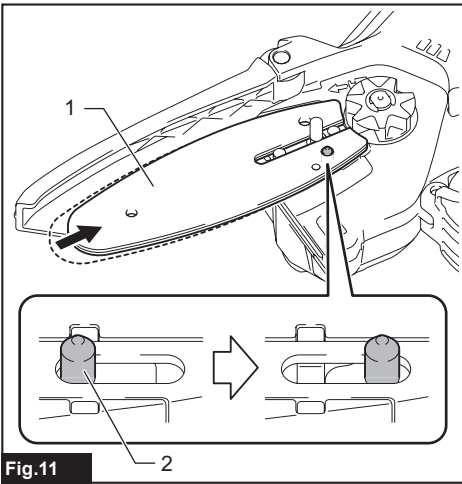


Fig. 10



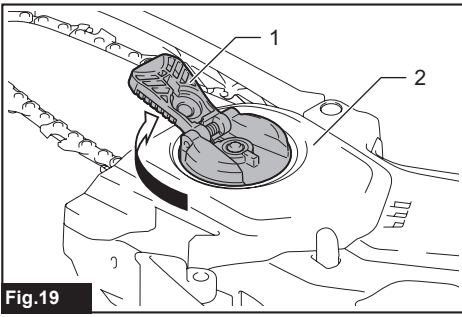


Fig.19

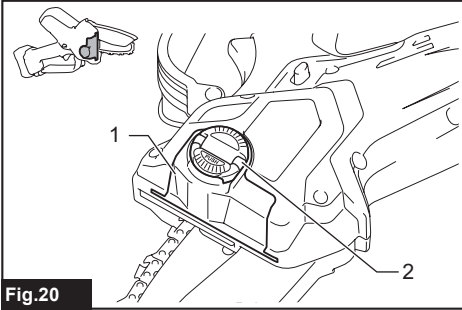


Fig.20

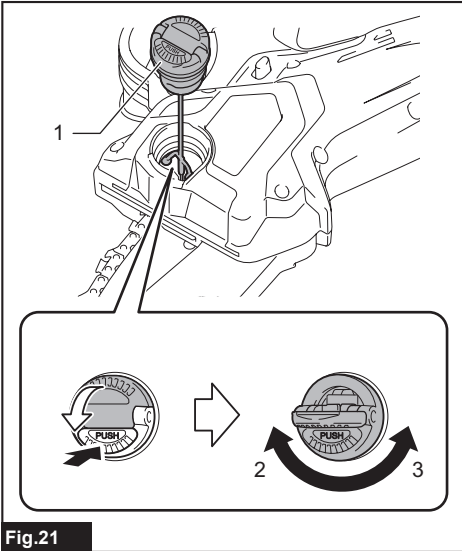


Fig.21

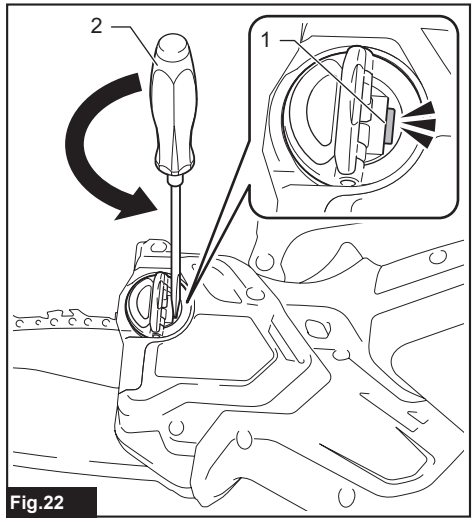


Fig.22

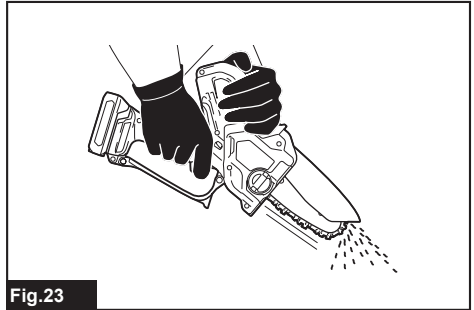


Fig.23

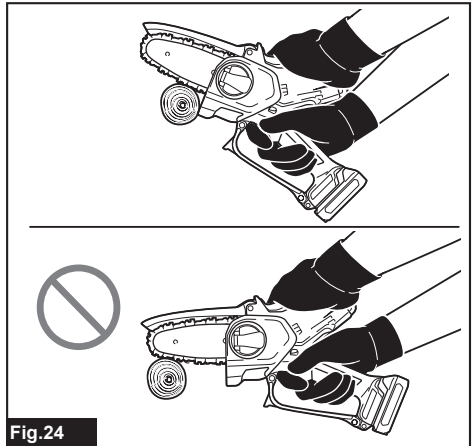


Fig.24

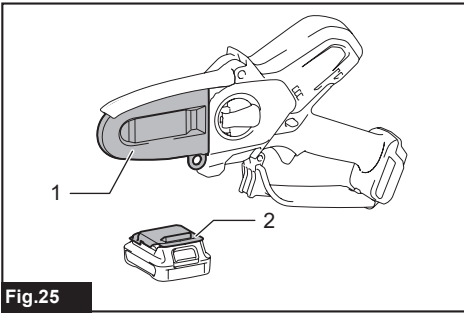


Fig.25

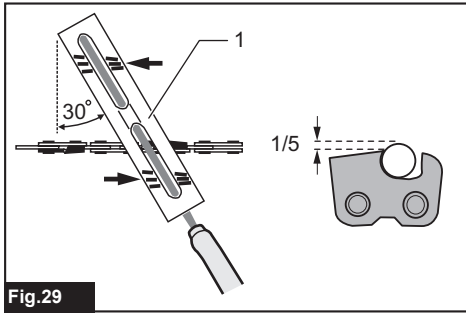


Fig.29

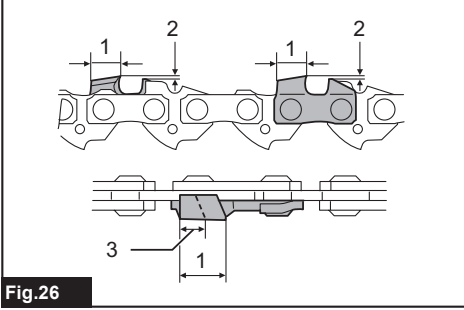


Fig.26

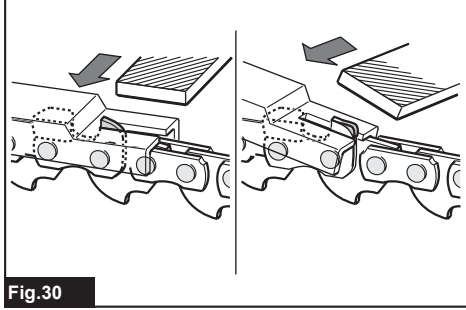


Fig.30

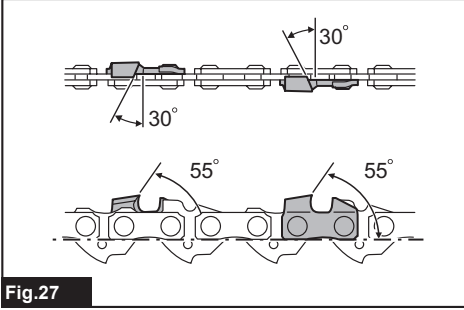


Fig.27

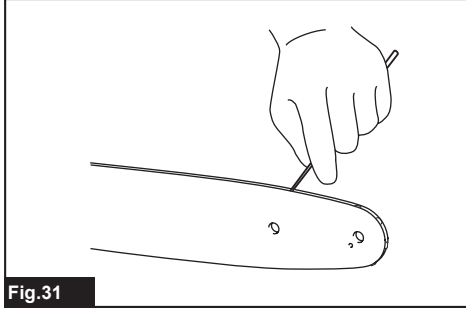


Fig.31

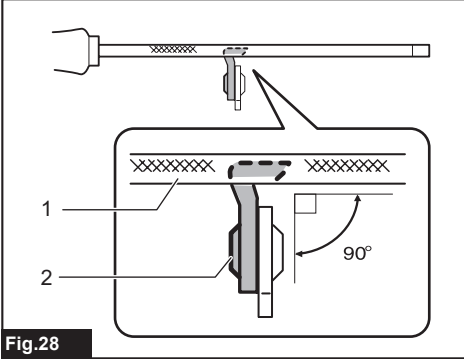


Fig.28

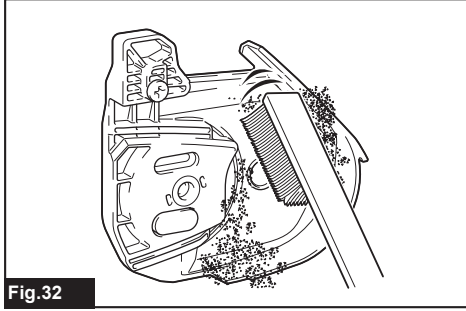
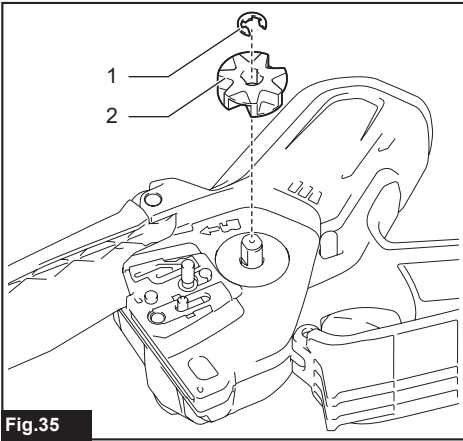
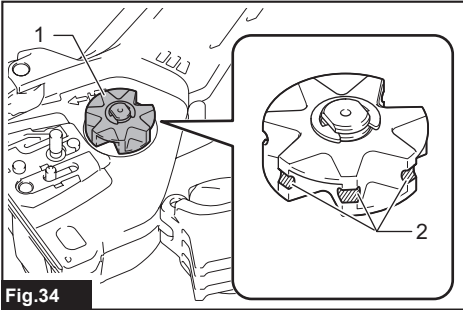
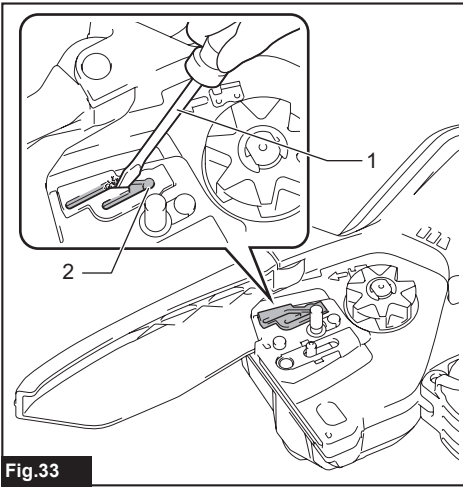


Fig.32



SPECIFICATIONS

Model:		UC100D
Overall length (without guide bar and battery)		350 mm
Rated voltage		D.C. 10.8 V - 12 V max
Net weight	*1	1.0 kg
	*2	1.5 - 1.6 kg
Standard guide bar length		100 mm
Recommended guide bar length		100 mm
Applicable saw chain type (refer to the table below)		80TXL
Sprocket	Number of teeth	7
	Pitch	0.325"
Chain speed		0 - 8.0 m/s (0 - 480 m/min)
Chain oil tank volume		55 cm ³

- Due to our continuing program of research and development, the specifications herein are subject to change without notice.
 - Specifications may differ from country to country.
- *1: Weight, without the saw chain, guide bar, guide bar cover, oil and battery cartridge(s).
 *2: The lightest and heaviest combination of weight, according to EPTA-Procedure 01/2014. The weight may differ depending on the attachment(s), including the battery cartridge(s).

Saw chain, guide bar, and sprocket combination

Saw chain type		80TXL
Number of drive links		26
Guide bar	Guide bar length	100 mm
	Cutting length	111 mm
	Pitch	0.325"
	Gauge	1.1 mm
	Type	Hard nose bar
Sprocket	Number of teeth	7
	Pitch	0.325"

⚠WARNING: Use appropriate combination of the guide bar and saw chain. Otherwise personal injury may result.

Applicable battery cartridge and charger











Battery cartridge	BL1016 / BL1021B / BL1041B
Charger	DC10SA / DC10SB / DC10WC / DC10WD / DC18RE

- Some of the battery cartridges and chargers listed above may not be available depending on your region of residence.

⚠WARNING: Only use the battery cartridges and chargers listed above. Use of any other battery cartridges and chargers may cause injury and/or fire.

Symbols

The followings show the symbols which may be used for the equipment. Be sure that you understand their meaning before use.

	Read instruction manual.
	Wear safety glasses and ear protection.
	Always use two hands when operating the tool.
	Beware of kickback and avoid contact with bar tip.
	Do not expose to moisture.
	Maximum permissible cut length
	Direction of chain travel
 Ni-MH Li-Ion	<p>Only for EU countries Due to the presence of hazardous components in the equipment, waste electrical and electronic equipment, accumulators and batteries may have a negative impact on the environment and human health. Do not dispose of electrical and electronic appliances or batteries with household waste!</p> <p>In accordance with the European Directive on waste electrical and electronic equipment and on accumulators and batteries and waste accumulators and batteries, as well as their adaptation to national law, waste electrical equipment, batteries and accumulators should be stored separately and delivered to a separate collection point for municipal waste, operating in accordance with the regulations on environmental protection.</p> <p>This is indicated by the symbol of the crossed-out wheeled bin placed on the equipment.</p>
	Guaranteed sound power level according to EU Outdoor Noise Directive.
	Sound power level according to Australia NSW Noise Control Regulation.

Intended use

This tool is intended for cutting branches of trees or bushes by means of a saw-chain.

Noise

The typical A-weighted noise level determined according to EN62841-4-1:

Sound pressure level (L_{pA}) : 79 dB (A)

Sound power level (L_{WA}) : 87 dB (A)

Uncertainty (K) : 3 dB (A)

NOTE: The declared noise emission value(s) has been measured in accordance with a standard test method and may be used for comparing one tool with another.

NOTE: The declared noise emission value(s) may also be used in a preliminary assessment of exposure.

⚠WARNING: Wear ear protection.

⚠WARNING: The noise emission during actual use of the power tool can differ from the declared value(s) depending on the ways in which the tool is used especially what kind of workpiece is processed.

⚠WARNING: Be sure to identify safety measures to protect the operator that are based on an estimation of exposure in the actual conditions of use (taking account of all parts of the operating cycle such as the times when the tool is switched off and when it is running idle in addition to the trigger time).

Vibration

The vibration total value (tri-axial vector sum) determined according to EN62841-4-1:
Work mode: cutting wood
Vibration emission ($a_{h,W}$) : 4.8 m/s²
Uncertainty (K) : 1.5 m/s²

NOTE: The declared vibration total value(s) has been measured in accordance with a standard test method and may be used for comparing one tool with another.

NOTE: The declared vibration total value(s) may also be used in a preliminary assessment of exposure.

⚠WARNING: The vibration emission during actual use of the power tool can differ from the declared value(s) depending on the ways in which the tool is used especially what kind of workpiece is processed.

⚠WARNING: Be sure to identify safety measures to protect the operator that are based on an estimation of exposure in the actual conditions of use (taking account of all parts of the operating cycle such as the times when the tool is switched off and when it is running idle in addition to the trigger time).

Declarations of Conformity

For European countries only

The Declarations of conformity are included in Annex A to this instruction manual.

SAFETY WARNINGS

General power tool safety warnings

⚠ WARNING Read all safety warnings, instructions, illustrations and specifications provided with this power tool. Failure to follow all instructions listed below may result in electric shock, fire and/or serious injury.

Save all warnings and instructions for future reference.

The term "power tool" in the warnings refers to your mains-operated (corded) power tool or battery-operated (cordless) power tool.

Work area safety

1. **Keep work area clean and well lit.** Cluttered or dark areas invite accidents.
2. **Do not operate power tools in explosive atmospheres, such as in the presence of flammable liquids, gases or dust.** Power tools create sparks which may ignite the dust or fumes.
3. **Keep children and bystanders away while operating a power tool.** Distractions can cause you to lose control.

Electrical safety

1. **Power tool plugs must match the outlet. Never modify the plug in any way. Do not use any adapter plugs with earthed (grounded) power tools.** Unmodified plugs and matching outlets will reduce risk of electric shock.
2. **Avoid body contact with earthed or grounded surfaces, such as pipes, radiators, ranges and refrigerators.** There is an increased risk of electric shock if your body is earthed or grounded.
3. **Do not expose power tools to rain or wet conditions.** Water entering a power tool will increase the risk of electric shock.
4. **Do not abuse the cord. Never use the cord for carrying, pulling or unplugging the power tool. Keep cord away from heat, oil, sharp edges or moving parts.** Damaged or entangled cords increase the risk of electric shock.
5. **When operating a power tool outdoors, use an extension cord suitable for outdoor use.** Use of a cord suitable for outdoor use reduces the risk of electric shock.
6. **If operating a power tool in a damp location is unavoidable, use a residual current device (RCD) protected supply.** Use of an RCD reduces the risk of electric shock.
7. **Power tools can produce electromagnetic fields (EMF) that are not harmful to the user.** However, users of pacemakers and other similar medical devices should contact the maker of their device and/or doctor for advice before operating this power tool.

Personal safety

1. **Stay alert, watch what you are doing and use common sense when operating a power tool. Do not use a power tool while you are tired or under the influence of drugs, alcohol or medication.** A moment of inattention while operating power tools may result in serious personal injury.

2. **Use personal protective equipment. Always wear eye protection.** Protective equipment such as a dust mask, non-skid safety shoes, hard hat or hearing protection used for appropriate conditions will reduce personal injuries.
3. **Prevent unintentional starting. Ensure the switch is in the off-position before connecting to power source and/or battery pack, picking up or carrying the tool.** Carrying power tools with your finger on the switch or energising power tools that have the switch on invites accidents.
4. **Remove any adjusting key or wrench before turning the power tool on.** A wrench or a key left attached to a rotating part of the power tool may result in personal injury.
5. **Do not overreach. Keep proper footing and balance at all times.** This enables better control of the power tool in unexpected situations.
6. **Dress properly. Do not wear loose clothing or jewellery. Keep your hair and clothing away from moving parts.** Loose clothes, jewellery or long hair can be caught in moving parts.
7. **If devices are provided for the connection of dust extraction and collection facilities, ensure these are connected and properly used.** Use of dust collection can reduce dust-related hazards.
8. **Do not let familiarity gained from frequent use of tools allow you to become complacent and ignore tool safety principles.** A careless action can cause severe injury within a fraction of a second.
9. **Always wear protective goggles to protect your eyes from injury when using power tools. The goggles must comply with ANSI Z87.1 in the USA, EN 166 in Europe, or AS/NZS 1336 in Australia/New Zealand. In Australia/New Zealand, it is legally required to wear a face shield to protect your face, too.**



It is an employer's responsibility to enforce the use of appropriate safety protective equipments by the tool operators and by other persons in the immediate working area.

Power tool use and care

1. **Do not force the power tool. Use the correct power tool for your application.** The correct power tool will do the job better and safer at the rate for which it was designed.
2. **Do not use the power tool if the switch does not turn it on and off.** Any power tool that cannot be controlled with the switch is dangerous and must be repaired.

3. **Disconnect the plug from the power source and/or remove the battery pack, if detachable, from the power tool before making any adjustments, changing accessories, or storing power tools.** Such preventive safety measures reduce the risk of starting the power tool accidentally.
4. **Store idle power tools out of the reach of children and do not allow persons unfamiliar with the power tool or these instructions to operate the power tool.** Power tools are dangerous in the hands of untrained users.
5. **Maintain power tools and accessories. Check for misalignment or binding of moving parts, breakage of parts and any other condition that may affect the power tool's operation. If damaged, have the power tool repaired before use.** Many accidents are caused by poorly maintained power tools.
6. **Keep cutting tools sharp and clean.** Properly maintained cutting tools with sharp cutting edges are less likely to bind and are easier to control.
7. **Use the power tool, accessories and tool bits etc. in accordance with these instructions, taking into account the working conditions and the work to be performed.** Use of the power tool for operations different from those intended could result in a hazardous situation.
8. **Keep handles and grasping surfaces dry, clean and free from oil and grease.** Slippery handles and grasping surfaces do not allow for safe handling and control of the tool in unexpected situations.
9. **When using the tool, do not wear cloth work gloves which may be entangled.** The entanglement of cloth work gloves in the moving parts may result in personal injury.

Battery tool use and care

1. **Recharge only with the charger specified by the manufacturer.** A charger that is suitable for one type of battery pack may create a risk of fire when used with another battery pack.
2. **Use power tools only with specifically designated battery packs.** Use of any other battery packs may create a risk of injury and fire.
3. **When battery pack is not in use, keep it away from other metal objects, like paper clips, coins, keys, nails, screws or other small metal objects, that can make a connection from one terminal to another.** Shorting the battery terminals together may cause burns or a fire.
4. **Under abusive conditions, liquid may be ejected from the battery; avoid contact. If contact accidentally occurs, flush with water. If liquid contacts eyes, additionally seek medical help.** Liquid ejected from the battery may cause irritation or burns.
5. **Do not use a battery pack or tool that is damaged or modified.** Damaged or modified batteries may exhibit unpredictable behaviour resulting in fire, explosion or risk of injury.
6. **Do not expose a battery pack or tool to fire or excessive temperature.** Exposure to fire or temperature above 130 °C may cause explosion.

7. **Follow all charging instructions and do not charge the battery pack or tool outside the temperature range specified in the instructions.** Charging improperly or at temperatures outside the specified range may damage the battery and increase the risk of fire.

Service

1. **Have your power tool serviced by a qualified repair person using only identical replacement parts.** This will ensure that the safety of the power tool is maintained.
2. **Never service damaged battery packs.** Service of battery packs should only be performed by the manufacturer or authorized service providers.
3. **Follow instruction for lubricating and changing accessories.**

General pruner saw safety warnings

1. **Keep all parts of the body away from the saw chain when the pruner saw is operating. Before you start the pruner saw, make sure the saw chain is not contacting anything.** A moment of inattention while operating pruner saws may cause entanglement of your clothing or body with the saw chain.
2. **Always hold the pruner saw with one hand on the rear handle and the other hand on the auxiliary handle.**
3. **Hold the pruner saw by insulated gripping surfaces only, because the saw chain may contact hidden wiring.** Saw chains contacting a "live" wire may make exposed metal parts of the pruner saw "live" and could give the operator an electric shock.
4. **Wear eye protection. Further protective equipment for hearing, head, hands, legs and feet is recommended.** Adequate protective equipment will reduce personal injury from flying debris or accidental contact with the saw chain.
5. **Do not operate a pruner saw in a tree, on a ladder, from a rooftop, or any unstable support.** Operation of a pruner saw in this manner could result in serious personal injury.
6. **Always keep proper footing and operate the pruner saw only when standing on fixed, secure and level surface.** Slippery or unstable surfaces may cause a loss of balance or control of the pruner saw.
7. **When cutting a branch that is under tension, be alert for spring back.** When the tension in the wood fibres is released, the spring loaded branch may strike the operator and/or throw the pruner saw out of control.
8. **Use extreme caution when cutting brush and saplings.** The slender material may catch the saw chain and be whipped toward you or pull you off balance.
9. **Carry the pruner saw with the pruner saw switched off and away from your body. When transporting or storing the pruner saw, always fit the guide bar cover.** Proper handling of the pruner saw will reduce the likelihood of accidental contact with the moving saw chain.

10. **Follow instructions for lubricating, chain tensioning and changing the bar and chain.** Improperly tensioned or lubricated chain may either break or increase the chance for kickback.
11. **Cut wood only. Do not use pruner saw for purposes not intended. For example: do not use pruner saw for cutting metal, plastic, masonry or non-wood building materials.** Use of the pruner saw for operations different than intended could result in a hazardous situation.
12. **This pruner saw is not intended for tree felling.** Use of the pruner saw for operations different than intended could result in serious injury to the operator or bystanders.
13. **Follow all instructions when clearing jammed material, storing or servicing the pruner saw. Make sure the switch is off and the battery pack is removed.**
14. **Causes and operator prevention of kickback:** Kickback may occur when the nose or tip of the guide bar touches an object, or when the wood closes in and pinches the saw chain in the cut. Tip contact in some cases may cause a sudden reverse reaction, kicking the guide bar up and back towards the operator. Pinching the saw chain along the top of the guide bar may push the guide bar rapidly back towards the operator. Either of these reactions may cause you to lose control of the saw which could result in serious personal injury. Do not rely exclusively upon the safety devices built into your saw. As a pruner saw user, you should take several steps to keep your cutting jobs free from accident or injury. Kickback is the result of pruner saw misuse and/or incorrect operating procedures or conditions and can be avoided by taking proper precautions as given below:
 - **Maintain a firm grip, with thumbs and fingers encircling the pruner saw handles, with both hands on the saw and position your body and arm to allow you to resist kickback forces.** Kickback forces can be controlled by the operator, if proper precautions are taken. Do not let go of the pruner saw.

► Fig.1

- **Do not overreach and do not cut above shoulder height.** This helps prevent unintended tip contact and enables better control of the pruner saw in unexpected situations.
 - **Only use replacement guide bars and saw chains specified by the manufacturer.** Incorrect replacement guide bars and saw chains may cause chain breakage and/or kickback.
 - **Follow the manufacturer's sharpening and maintenance instructions for the saw chain.** Decreasing the depth gauge height can lead to increased kickback.
15. **Follow all instructions when clearing jammed material, storing or servicing the pruner saw. Make sure the switch is off and the battery pack is removed.**

Additional Safety Instructions

Personal protective equipment

1. **Clothing must be close-fitting, but must not obstruct mobility.**
2. **Wear the following protective clothing during work:**
 - A tested safety helmet, if a hazard is presented by falling branches or similar;
 - A face mask or goggles;
 - Suitable ear protection (ear muffs, custom or mouldable ear plugs). Octave brand analysis upon request.
 - Firm leather safety gloves;
 - Long trousers manufactured from strong fabric;
 - Protective dungarees of cut-resistant fabric;
 - Safety shoes or boots with non-slip soles, steel toes, and cut-resistant fabric lining;
 - A breathing mask, when carrying out work which produces dust (e.g. sawing dry wood).

Operation

1. **Before starting work, check that the tool is in proper working order and that its condition complies with the safety regulations. Check in particular that:**
 - The run-down brake is working properly;
 - The bar and the sprocket cover are fitted correctly;
 - The chain has been sharpened and tensioned in accordance with the regulations.
2. **Do not start the tool with the chain cover being installed on it.** Starting the tool with the chain cover being installed on it may cause the chain cover to thrown out forward resulting in personal injury and damage to objects around the operator.
3. **Do not stand directly under the branch that is being cut. Pay attention to the falling branches.**
4. **Do not operate the tool in bad weather or if there is a risk of lightning.**
5. **When you use the tool on muddy ground, wet slope, or slippery place, pay attention to your footing.**

Electrical and battery safety

1. **Avoid dangerous environment. Don't use the tool in dump or wet locations or expose it to rain.** Water entering the tool will increase the risk of electric shock.
2. **Do not dispose of the battery(ies) in a fire.** The cell may explode. Check with local codes for possible special disposal instructions.
3. **Do not open or mutilate the battery(ies).** Released electrolyte is corrosive and may cause damage to the eyes or skin. It may be toxic if swallowed.
4. **Do not charge battery in rain, or in wet locations.**
5. **Do not charge the battery outdoors.**
6. **Do not handle charger, including charger plug, and charger terminals with wet hands.**
7. **Do not replace the battery with wet hands.**

8. Do not leave the battery in the rain, nor charge, use, or store the battery in a damp or wet place.
9. Do not wet the terminal of battery with liquid such as water, or submerge the battery. If the terminal gets wet or liquid enters inside of battery, the battery may be short circuited and there is a risk of overheat, fire, or explosion.
10. After removing the battery from the machine or charger, be sure to attach the battery cover to the battery and store it in a dry place.
11. If the battery cartridge gets wet, drain the water inside and then wipe it with a dry cloth. Dry the battery cartridge completely in a dry place before use.
10. The contained lithium-ion batteries are subject to the Dangerous Goods Legislation requirements. For commercial transports e.g. by third parties, forwarding agents, special requirement on packaging and labeling must be observed. For preparation of the item being shipped, consulting an expert for hazardous material is required. Please also observe possibly more detailed national regulations. Tape or mask off open contacts and pack up the battery in such a manner that it cannot move around in the packaging.

SAVE THESE INSTRUCTIONS.

⚠WARNING: DO NOT let comfort or familiarity with product (gained from repeated use) replace strict adherence to safety rules for the subject product. MISUSE or failure to follow the safety rules stated in this instruction manual may cause serious personal injury.

Important safety instructions for battery cartridge

1. Before using battery cartridge, read all instructions and cautionary markings on (1) battery charger, (2) battery, and (3) product using battery.
2. Do not disassemble or tamper with the battery cartridge. It may result in a fire, excessive heat, or explosion.
3. If operating time has become excessively shorter, stop operating immediately. It may result in a risk of overheating, possible burns and even an explosion.
4. If electrolyte gets into your eyes, rinse them out with clear water and seek medical attention right away. It may result in loss of your eyesight.
5. Do not short the battery cartridge:
 - (1) Do not touch the terminals with any conductive material.
 - (2) Avoid storing battery cartridge in a container with other metal objects such as nails, coins, etc.
 - (3) Do not expose battery cartridge to water or rain.
A battery short can cause a large current flow, overheating, possible burns and even a breakdown.
6. Do not store and use the tool and battery cartridge in locations where the temperature may reach or exceed 50 °C (122 °F).
7. Do not incinerate the battery cartridge even if it is severely damaged or is completely worn out. The battery cartridge can explode in a fire.
8. Do not nail, cut, crush, throw, drop the battery cartridge, or hit against a hard object to the battery cartridge. Such conduct may result in a fire, excessive heat, or explosion.
9. Do not use a damaged battery.
11. When disposing the battery cartridge, remove it from the tool and dispose of it in a safe place. Follow your local regulations relating to disposal of battery.
12. Use the batteries only with the products specified by Makita. Installing the batteries to non-compliant products may result in a fire, excessive heat, explosion, or leak of electrolyte.
13. If the tool is not used for a long period of time, the battery must be removed from the tool.
14. During and after use, the battery cartridge may take on heat which can cause burns or low temperature burns. Pay attention to the handling of hot battery cartridges.
15. Do not touch the terminal of the tool immediately after use as it may get hot enough to cause burns.
16. Do not allow chips, dust, or soil stuck into the terminals, holes, and grooves of the battery cartridge. It may cause heating, catching fire, burst and malfunction of the tool or battery cartridge, resulting in burns or personal injury.
17. Unless the tool supports the use near high-voltage electrical power lines, do not use the battery cartridge near high-voltage electrical power lines. It may result in a malfunction or breakdown of the tool or battery cartridge.
18. Keep the battery away from children.

SAVE THESE INSTRUCTIONS.

⚠CAUTION: Only use genuine Makita batteries. Use of non-genuine Makita batteries, or batteries that have been altered, may result in the battery bursting causing fires, personal injury and damage. It will also void the Makita warranty for the Makita tool and charger.

Tips for maintaining maximum battery life

1. Charge the battery cartridge before completely discharged. Always stop tool operation and charge the battery cartridge when you notice less tool power.
2. Never recharge a fully charged battery cartridge. Overcharging shortens the battery service life.
3. Charge the battery cartridge with room temperature at 10 °C - 40 °C (50 °F - 104 °F). Let a hot battery cartridge cool down before charging it.
4. When not using the battery cartridge, remove it from the tool or the charger.

PARTS DESCRIPTION

► Fig.2

1	Auxiliary handle	2	Safety cover	3	Saw chain
4	Guide bar	5	Oil tank cap	6	Guide bar cover
7	Sprocket cover	8	Lock-off lever	9	Rear handle
10	Switch trigger	11	Lever	12	Battery cartridge

FUNCTIONAL DESCRIPTION

CAUTION: Always be sure that the tool is switched off and the battery cartridge is removed before adjusting or checking function on the tool.

Installing or removing battery cartridge

CAUTION: Always switch off the tool before installing or removing of the battery cartridge.

CAUTION: Hold the tool and the battery cartridge firmly when installing or removing battery cartridge. Failure to hold the tool and the battery cartridge firmly may cause them to slip off your hands and result in damage to the tool and battery cartridge and a personal injury.

► Fig.3: 1. Red indicator 2. Button 3. Battery cartridge

To remove the battery cartridge, slide it from the tool while sliding the button on the front of the cartridge.

To install the battery cartridge, align the tongue on the battery cartridge with the groove in the housing and slip it into place. Insert it all the way until it locks in place with a little click. If you can see the red indicator as shown in the figure, it is not locked completely.

CAUTION: Always install the battery cartridge fully until the red indicator cannot be seen. If not, it may accidentally fall out of the tool, causing injury to you or someone around you.

CAUTION: Do not install the battery cartridge forcibly. If the cartridge does not slide in easily, it is not being inserted correctly.

Indicating the remaining battery capacity

Only for battery cartridges with the indicator

► Fig.4: 1. Indicator lamps 2. Check button

Press the check button on the battery cartridge to indicate the remaining battery capacity. The indicator lamps light up for a few seconds.

Indicator lamps		Remaining capacity
Lighted	Off	
■ ■ ■ ■	□	75% to 100%
■ ■ ■ □	□	50% to 75%
■ ■ □ □	□	25% to 50%
■ □ □ □	□	0% to 25%

NOTE: Depending on the conditions of use and the ambient temperature, the indication may differ slightly from the actual capacity.

Tool / battery protection system

The tool is equipped with a tool/battery protection system. This system automatically cuts off power to the motor to extend tool and battery life. The tool will automatically stop during operation if the tool or battery is placed under one of the following conditions:

Overloaded:

The tool is operated in a manner that causes it to draw an abnormally high current. In this situation, turn the tool off and stop the application that caused the tool to become overloaded. Then turn the tool on to restart. If the tool does not start, the battery is overheated. In this situation, let the battery cool before turning the tool on again.

Low battery voltage:

The remaining battery capacity is too low and the tool will not operate. If you turn the tool on, the motor runs again but stops soon. In this situation, remove and recharge the battery.

Switch action

⚠ WARNING: For your safety, this tool is equipped with lock-off lever which prevents the tool from unintended starting. NEVER use the tool if it runs when you simply pull the switch trigger without pressing the lock-off lever. Return the tool to our authorized service center for proper repairs BEFORE further usage.

⚠ WARNING: NEVER tape down or defeat purpose and function of lock-off lever.

⚠ CAUTION: Before installing the battery cartridge into the tool, always check to see that the switch trigger actuates properly and returns to the "OFF" position when released.

NOTICE: Do not pull the switch trigger hard without pressing the lock-off lever. This can cause switch breakage.

To prevent the switch trigger from being accidentally pulled, a lock-off lever is provided. To start the tool, depress the lock-off lever and pull the switch trigger. Release the switch trigger to stop.

► **Fig.5:** 1. Switch trigger 2. Lock-off lever

Checking the run-down brake

⚠ CAUTION: If the saw chain does not stop within a few seconds in this test, stop using the tool and consult our authorized service center.

Run the tool, and then release the switch trigger completely. The saw chain must come to a standstill within a few seconds.

ASSEMBLY

⚠ CAUTION: Always be sure that the tool is switched off and the battery cartridge is removed before carrying out any work on the tool.

⚠ CAUTION: Do not touch the saw chain with bare hands. Always wear gloves when handling the saw chain.

Removing or installing saw chain

⚠ CAUTION: The saw chain and the guide bar are still hot just after the operation. Let them cool down enough before carrying out any work on the tool.

⚠ CAUTION: Carry out the procedure of installing or removing saw chain in a clean place free from sawdust and the like.

Removing the saw chain

To remove the saw chain, perform the following steps:

1. Pull the lever up.
► **Fig.6:** 1. Lever
2. Turn the lever counterclockwise until the sprocket cover comes off.
► **Fig.7:** 1. Sprocket cover 2. Lever
3. Remove the sprocket cover then remove the saw chain and guide bar from the tool body.

Installing the saw chain

To install the saw chain, perform the following steps:

1. Pull the lever up.
► **Fig.8:** 1. Lever
 2. Turn the lever counterclockwise until the sprocket cover comes off.
► **Fig.9:** 1. Lever 2. Sprocket cover
 3. Remove the sprocket cover.
 4. Align the hole on the guide bar with the pin on the tool body, and then place the guide bar as shown in the figure.
► **Fig.10:** 1. Guide bar 2. Hole 3. Pin
 5. Slide the guide bar toward the sprocket to lock the pin.
► **Fig.11:** 1. Guide bar 2. Pin
 6. Remove the guide bar from the tool body.
 7. Check the direction of the saw chain. Match the direction of the saw chain with that of the mark on the tool body.
► **Fig.12:** 1. Mark on tool body
 8. Fit one end of the saw chain on the top of the guide bar.
 9. Fit the other end of the saw chain around the sprocket, then attach the guide bar to the tool body so that the hole on the guide bar is aligned with the pin on the body.
► **Fig.13:** 1. Sprocket
- Press the guide bar against the tool body to release the pin. The saw chain tension is automatically adjusted.
► **Fig.14:** 1. Saw chain 2. Pin 3. Sprocket
10. Place the sprocket cover so that the bolt and pin on the tool body meet their counterparts on the sprocket cover.
► **Fig.15:** 1. Sprocket cover 2. Bolt 3. Pin
 11. Turn the lever clockwise until the sprocket cover is secured then return it to the original position.
► **Fig.16:** 1. Lever 2. Sprocket cover

Make sure that the saw chain does not loose and the saw chain can be moved smoothly back and forth. If necessary, adjust the tension of the saw chain by referring to the section for adjusting saw chain tension.

Adjusting saw chain tension

CAUTION: A chain which is too loose can jump off the bar and it may cause an injury or accident.

The saw chain may become loose after many hours of use. From time to time check the saw chain tension before use.

If the saw chain is loose, adjust the saw chain tension.

1. Pull the lever up.

► Fig.17: 1. Lever

2. Turn the lever counterclockwise a little to loosen the sprocket cover lightly. The chain tension is adjusted automatically.

► Fig.18: 1. Sprocket cover 2. Lever

3. Turn the lever clockwise until the sprocket cover is secured then return it to the original position.

► Fig.19: 1. Lever 2. Sprocket cover

OPERATION

Lubrication

CAUTION: Do not operate the tool when the tank is empty. Replenish the oil in due time before the tank is empty.

CAUTION: Prevent the oil from coming into contact with the skin and eyes. Contact with the eyes causes irritation. In the event of eye contact, flush the affected eye immediately with clear water, then consult a doctor at once.

CAUTION: Never use waste oil. Waste oil contains carcinogenic substances. The contaminants in waste oil cause accelerated wear of the oil pump, the bar and the chain. Waste oil is harmful to the environment.

NOTICE: When the tool is used for the first time, it may take up to two minutes for the saw chain oil to begin its lubricating effect upon the saw mechanism. Run the saw without load until it does so.

NOTICE: When filling the chain oil for the first time, or refilling the tank after it has been completely emptied, add oil up to the bottom edge of the filler neck. The oil delivery may otherwise be impaired.

NOTICE: Use the saw chain oil exclusively for Makita tools or equivalent oil available in the market.

NOTICE: Never use oil including dust and particles or volatile oil.

NOTICE: When pruning trees, use botanical oil. Mineral oil may harm trees.

NOTICE: Before the cutting operation, make sure that the provided oil tank cap is screwed in place.

Saw chain is automatically lubricated when the tool is in operation. Check the amount of remaining oil in the oil tank periodically through the oil inspection window.

► Fig.20: 1. Oil inspection window 2. Oil tank cap

To fill the oil, perform the following steps:

1. Clean the area around the oil tank cap thoroughly to prevent any dirt from entering the oil tank.

2. Lay the tool on its side.

3. Push the button on the oil tank cap so that the button on the other side stands up, and then remove the oil tank cap by turning it.

► Fig.21: 1. Oil tank cap 2. Tighten 3. Loosen

4. Fill the oil tank with the oil. The proper amount of oil is 55 ml.

5. Screw the oil tank cap firmly back in place.

6. Wipe away any spilt chain oil carefully.

NOTE: If it is difficult to remove the oil tank cap, insert the tip of slotted screwdriver into the slot of the oil tank cap, and then remove the oil tank cap by turning it counterclockwise.

► Fig.22: 1. Slot 2. Slotted screwdriver

After refilling, hold the tool away from the material to be cut. Start it and wait until lubrication on saw chain is adequate.

► Fig.23

Working with the tool

CAUTION: Keep all parts of the body away from the saw chain when the tool is operating.

CAUTION: Hold the tool firmly with both hands when the tool is operating.

CAUTION: Do not overreach. Keep proper footing and balance at all times.

NOTICE: Never toss or drop the tool.

NOTICE: Do not cover the vents of the tool.

Before starting the tool, bring the root of guide bar and the support part of tool body in contact with the branch to be cut as shown in the figure. While contacting the branch with the tool and guide bar, start the tool and saw the branch by moving the tool down along the branch.

► Fig.24

CAUTION: Before the cutting operation, make sure that the branch to be cut is in contact with the root of guide bar and the support part of tool body. Otherwise, the tool may be pulled toward the tip of guide bar and the guide bar may wobble, and may result in an injury.

Carrying tool

Before carrying the tool, always remove the battery cartridge from the tool. Then attach the guide bar cover. Also cover the battery cartridge with the battery cover.

► Fig.25: 1. Guide bar cover 2. Battery cover

MAINTENANCE

⚠ CAUTION: Always be sure that the tool is switched off and the battery cartridge is removed before attempting to perform inspection or maintenance.

⚠ CAUTION: Always wear gloves when performing any inspection or maintenance.

NOTICE: Never use gasoline, benzine, thinner, alcohol or the like. Discoloration, deformation or cracks may result.

To maintain product SAFETY and RELIABILITY, repairs, any other maintenance or adjustment should be performed by Makita Authorized or Factory Service Centers, always using Makita replacement parts.

Sharpening the saw chain

Sharpen the saw chain when:

- Mealy sawdust is produced when damp wood is cut;
- The chain penetrates the wood with difficulty, even when heavy pressure is applied;
- The cutting edge is obviously damaged;
- The saw pulls to the left or right in the wood. (caused by uneven sharpening of the saw chain or damage to one side only)

Sharpen the saw chain frequently but a little each time. Two or three strokes with a file are usually sufficient for routine resharpener. When the saw chain has been resharpened several times, have it sharpened in our authorized service center.

Sharpening criteria:

⚠ WARNING: An excessive distance between the cutting edge and depth gauge increases the risk of kickback.

► **Fig.26:** 1. Cutter length 2. Distance between cutting edge and depth gauge 3. Minimum cutter length (3 mm)

- All cutter length must be equal. Different cutter lengths prevent the saw chain from running smoothly and may cause the saw chain to break.
- Do not sharpen the chain when the cutter length has reached 3 mm or shorter. The chain must be replaced with new one.
- The chip thickness is determined by the distance between the depth gauge (round nose) and the cutting edge.
- The best cutting results are obtained with following distance between cutting edge and depth gauge.
 - Chain blade 80TXL : 0.65 mm

► **Fig.27**

- The sharpening angle of 30° must be the same on all cutters. Different cutter angles cause the chain to run roughly and unevenly, accelerate wear, and lead to chain breaks.
- Use a suitable round file so that the proper sharpening angle is kept against the teeth.
 - Chain blade 80TXL : 55°

File and file guiding

- Use a special round file (optional accessory) for saw chains to sharpen the chain. Normal round files are not suitable.
- Diameter of the round file for each saw chain is as follows:
 - Chain blade 80TXL : 4.0 mm
- The file should only engage the cutter on the forward stroke. Lift the file off the cutter on the return stroke.
- Sharpen the shortest cutter first. Then the length of this shortest cutter becomes the standard for all other cutters on the saw chain.
- Guide the file as shown in the figure.

► **Fig.28:** 1. File 2. Saw chain

- The file can be guided more easily if a file holder (optional accessory) is employed. The file holder has markings for the correct sharpening angle of 30° (align the markings parallel to the saw chain) and limits the depth of penetration (to 4/5 of the file diameter).

► **Fig.29:** 1. File holder

- After sharpening the chain, check the height of the depth gauge using the chain gauge tool (optional accessory).

► **Fig.30**

- Remove any projecting material, however small, with a special flat file (optional accessory).
- Round off the front of the depth gauge again.

Cleaning the guide bar

Chips and sawdust will build up in the guide bar groove. They may clog the bar groove and impair the oil flow. Clean out the chips and sawdust every time when you sharpen or replace the saw chain.

► **Fig.31**

Cleaning the sprocket cover

Chips and saw dust will accumulate inside of the sprocket cover. Remove the sprocket cover and saw chain from the tool then clean the chips and saw dust.

► **Fig.32**

Cleaning the oil discharge hole

Small dust or particles may be built up in the oil discharge hole during operation. These dust or particles may impair the oil to flow and cause an insufficient lubrication on the whole saw chain. When a poor chain oil delivery occurs at the top of guide bar, clean the oil discharge hole as follows.

1. Remove the sprocket cover and saw chain from the tool.
2. Remove the small dust or particles using a slotted screwdriver or the like.

► **Fig.33:** 1. Slotted screwdriver 2. Oil discharge hole

3. Insert the battery cartridge into the tool. Pull the switch trigger to flow built-up dust or particles off the oil discharge hole by discharging chain oil.
4. Remove the battery cartridge from the tool. Reinstall the sprocket cover and saw chain and guide bar on the tool.

Replacing the sprocket

CAUTION: A worn sprocket will damage a new saw chain. Have the sprocket replaced in this case.

Before fitting a new saw chain, check the condition of the sprocket.

► **Fig.34:** 1. Sprocket 2. Areas to be worn out

Always fit a new locking ring when replacing the sprocket.

► **Fig.35:** 1. Locking ring 2. Sprocket

NOTICE: Make sure that the sprocket is installed as shown in the figure.

Storing the tool

1. Clean the tool before storing. Remove any chips and sawdust from the tool after removing the sprocket cover.
2. After cleaning the tool, run it under no load to lubricate the saw chain and guide bar.
3. Cover the guide bar with the guide bar cover.
4. Empty the oil tank.

Instructions for periodic maintenance

To ensure long life, prevent damage and ensure the full functioning of the safety features, the following maintenance must be performed regularly. Warranty claims can be recognized only if this work is performed regularly and properly. Failure to perform the prescribed maintenance work can lead to accidents! The user of the tool must not perform maintenance work which is not described in the instruction manual. All such work must be carried out by our authorized service center.

Check item / Operating time		Before operation	Everyday	Every week	Every 3 month	Annually	Before storage
Whole tool	Inspection.	✓	-	-	-	-	-
	Cleaning.	-	✓	-	-	-	-
	Check at authorized service center.	-	-	-	-	✓	✓
Saw chain	Inspection.	✓	-	-	-	-	-
	Sharpening if necessary.	-	-	-	-	-	✓
Guide bar	Inspection.	✓	✓	-	-	-	-
	Remove from the tool.	-	-	-	-	-	✓
Chain lubrication	Check the oil feed rate.	✓	-	-	-	-	-
Switch trigger	Inspection.	✓	-	-	-	-	-
Lock-off lever	Inspection.	✓	-	-	-	-	-
Oil tank cap	Check tightness.	✓	-	-	-	-	-
Screws and nuts	Inspection.	-	-	✓	-	-	-

TROUBLESHOOTING

Before asking for repairs, conduct your own inspection first. If you find a problem that is not explained in the manual, do not attempt to dismantle the tool. Instead, ask Makita Authorized Service Centers, always using Makita replacement parts for repairs.

Malfunction status	Cause	Action
The tool does not start.	Battery cartridge is not installed.	Install a charged battery cartridge.
	Battery problem (low voltage).	Recharge the battery cartridge. If recharging is not effective, replace the battery cartridge.
The motor stops running after a little use.	Battery's charge level is low.	Recharge the battery cartridge. If recharging is not effective, replace the battery cartridge.
No oil on the chain.	Oil tank is empty.	Fill the oil tank.
	Oil guide groove is dirty.	Clean the groove.
The tool does not reach maximum RPM.	Battery cartridge is installed improperly.	Install the battery cartridge as described in this manual.
	Battery power is dropping.	Recharge the battery cartridge. If recharging is not effective, replace the battery cartridge.
	The drive system does not work correctly.	Ask the authorized service center in your region for repair.
Abnormal vibration: Stop the tool immediately!	Loose guide bar or saw chain.	Adjust the guide bar and saw chain tension.
	Tool malfunction.	Ask the authorized service center in your region for repair.
The saw chain cannot be installed.	The combination of saw chain and sprocket is not correct.	Use the correct combination of saw chain and sprocket by referring to the section for specifications.

OPTIONAL ACCESSORIES

⚠ CAUTION: These accessories or attachments are recommended for use with your Makita tool specified in this manual. The use of any other accessories or attachments might present a risk of injury to persons. Only use accessory or attachment for its stated purpose.

If you need any assistance for more details regarding these accessories, ask your local Makita Service Center.

- Saw chain
- Guide bar
- Guide bar cover
- File
- Tool bag
- Makita genuine battery and charger

NOTE: Some items in the list may be included in the tool package as standard accessories. They may differ from country to country.

ТЕХНИЧЕСКИЕ ХАРАКТЕРИСТИКИ

Модель:		UC100D
Общая длина (без стержня направляющей и аккумулятора)		350 мм
Номинальное напряжение		10,8 В – 12 В пост. тока макс.
Масса нетто	*1	1,0 кг
	*2	1,5 – 1,6 кг
Стандартная длина направляющей шины		100 мм
Рекомендуемая длина направляющей шины		100 мм
Применимый тип пильной цепи (см. таблицу ниже)		80TXL
Звездочка	Количество зубьев	7
	Шаг	0,325 дюйма
Скорость цепи		0 - 8,0 м/с (0 - 480 м/мин)
Объем маслобака		55 см ³

• Благодаря нашей постоянно действующей программе исследований и разработок указанные здесь технические характеристики могут быть изменены без предварительного уведомления.

• Технические характеристики могут различаться в зависимости от страны.

*1: Масса без пильной цепи, стержня направляющей, крышки пильной шины, масла и блока (блоков) аккумулятора.

*2: Наименьшая и наибольшая совокупная масса согласно процедуре ЕРТА 01/2014. Масса может отличаться в зависимости от дополнительного оборудования; блок (блоки) аккумулятора также считается дополнительным оборудованием.

Сочетание пильной цепи, стержня направляющей и звездочки

Тип пильной цепи		80TXL
Количество приводных звеньев		26
Пильная шина	Длина пильной шины	100 мм
	Длина распилы	111 мм
	Шаг	0,325 дюйма
	Измеритель	1,1 мм
	Тип	Жесткая прижимная линейка
Звездочка	Количество зубьев	7
	Шаг	0,325 дюйма

⚠ ОСТОРОЖНО: Используйте подходящее сочетание пильной шины и пильной цепи. Несоблюдение этой рекомендации может привести к травме.

Подходящий блок аккумулятора и зарядное устройство











Блок аккумулятора	BL1016 / BL1021B / BL1041B
Зарядное устройство	DC10SA / DC10SB / DC10WC / DC10WD / DC18RE

• В зависимости от региона проживания некоторые блоки аккумуляторов и зарядные устройства, перечисленные выше, могут быть недоступны.

⚠ ОСТОРОЖНО: Используйте только перечисленные выше блоки аккумуляторов и зарядные устройства. Использование других блоков аккумуляторов и зарядных устройств может привести к травме и/или пожару.

СИМВОЛЫ

Ниже приведены символы, которые могут использоваться для обозначения оборудования. Перед использованием убедитесь в том, что вы понимаете их значение.

	Прочитайте руководство по эксплуатации.
	Используйте защитные очки и средства защиты слуха.
	Во время работы инструмент следует держать двумя руками.
	Помните об отдаче и избегайте контакта с кончиком шины.
	Беречь от влаги.
	Максимально допустимая длина среза
	Направление движения цепи
 Ni-MH Li-Ion	Только для стран ЕС В связи с наличием в оборудовании опасных компонентов отходы электрического и электронного оборудования, аккумуляторы и батареи могут оказывать негативное влияние на окружающую среду и здоровье человека. Не выбрасывайте электрические и электронные устройства или батареи вместе с бытовыми отходами! В соответствии с директивой ЕС по отходам электрического и электронного оборудования, по аккумуляторам, батареям и отходам аккумуляторов и батарей, а также в соответствии с ее адаптацией к национальному законодательству, отходы электрического оборудования, батареи и аккумуляторы следует хранить отдельно и доставлять на пункт раздельного сбора коммунальных отходов, работающий с соблюдением правил охраны окружающей среды. Это обозначено символом в виде перечеркнутого мусорного контейнера на колесах, нанесенным на оборудование.
	Гарантированный уровень звуковой мощности в соответствии с Директивой ЕС по шумам вне помещений.
	Уровень звуковой мощности в соответствии с Регламентом Австралии (Новый Южный Уэльс) по контролю за шумом

Назначение

Данный инструмент предназначен для обрезки сучьев с деревьев и кустов посредством пильной цепи.

Шум

Типичный уровень взвешенного звукового давления (A), измеренный в соответствии с EN62841-4-1:
Уровень звукового давления (L_{pA}): 79 дБ (A)
Уровень звуковой мощности (L_{WA}): 87 дБ (A)
Погрешность (K): 3 дБ (A)

ПРИМЕЧАНИЕ: Заявленное значение распространения шума измерено в соответствии со стандартной методикой испытаний и может быть использовано для сравнения инструментов.

ПРИМЕЧАНИЕ: Заявленное значение распространения шума можно также использовать для предварительных оценок воздействия.

⚠ОСТОРОЖНО: Используйте средства защиты слуха.

⚠ОСТОРОЖНО: Распространение шума во время фактического использования электроинструмента может отличаться от заявленного значения в зависимости от способа применения инструмента и в особенности от типа обрабатываемой детали.

⚠ОСТОРОЖНО: Обязательно определите меры безопасности для защиты оператора, основанные на оценке воздействия в реальных условиях использования (с учетом всех этапов рабочего цикла, таких как выключение инструмента, работа без нагрузки и включение).

Вибрация

Суммарное значение вибрации (сумма векторов по трем осям), определенное в соответствии с EN62841-4-1:

Рабочий режим: распиливание древесины
Распространение вибрации (a_{rw}): 4,8 м/с²
Погрешность (K): 1,5 м/с²

ПРИМЕЧАНИЕ: Заявленное общее значение распространения вибрации измерено в соответствии со стандартной методикой испытаний и может быть использовано для сравнения инструментов.

ПРИМЕЧАНИЕ: Заявленное общее значение распространения вибрации можно также использовать для предварительных оценок воздействия.

⚠ОСТОРОЖНО: Распространение вибрации во время фактического использования электроинструмента может отличаться от заявленного значения в зависимости от способа применения инструмента и в особенности от типа обрабатываемой детали.

⚠ОСТОРОЖНО: Обязательно определите меры безопасности для защиты оператора, основанные на оценке воздействия в реальных условиях использования (с учетом всех этапов рабочего цикла, таких как выключение инструмента, работа без нагрузки и включение).

Декларации о соответствии

Только для европейских стран

Декларации о соответствии включены в Приложение А к настоящему руководству по эксплуатации.

МЕРЫ БЕЗОПАСНОСТИ

Общие рекомендации по технике безопасности для электроинструментов

▲ ОСТОРОЖНО Ознакомьтесь со всеми инструкциями по технике безопасности, указаниями, иллюстрациями и техническими характеристиками, прилагаемыми к данному электроинструменту. Несоблюдение всех приведенных далее инструкций может привести к поражению электрическим током, возгоранию и/или тяжелым травмам.

Сохраните брошюру с инструкциями и рекомендациями для дальнейшего использования.

Термин "электроинструмент" в предупреждениях относится ко всему инструменту, работающему от сети (с проводом) или на аккумуляторах (без провода).

Безопасность в месте выполнения работ

1. Рабочее место должно быть чистым и хорошо освещенным. Захламление и плохое освещение могут стать причиной несчастных случаев.
2. Не пользуйтесь электроинструментом во взрывоопасной атмосфере, например в присутствии легко воспламеняющихся жидкостей, газов или пыли. При работе электроинструмента возникают искры, которые могут привести к воспламенению пыли или газов.
3. При работе с электроинструментом не допускайте детей или посторонних к месту выполнения работ. Не отвлекайтесь во время работы, так как это приведет к потере контроля над электроинструментом.

Электробезопасность

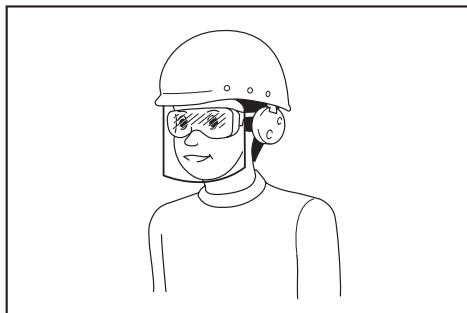
1. Вилка электроинструмента должна соответствовать сетевой розетке. Запрещается вносить какие-либо изменения в конструкцию вилки. Для электроинструмента с заземлением запрещается использовать переходники. Розетки и вилки, не подвергавшиеся изменениям, снижают риск поражения электрическим током.
2. Избегайте контакта участков тела с заземленными поверхностями, такими как трубы, радиаторы, батареи отопления и холодильники. При контакте тела с заземленными предметами увеличивается риск поражения электрическим током.
3. Не подвергайте электроинструмент воздействию дождя или влаги. Попадание воды в электроинструмент повышает риск поражения электрическим током.
4. Аккуратно обращайтесь со шнуром питания. Запрещается использовать шнур питания для переноски, перемещения или извлечения вилки из розетки. Располагайте шнур на расстоянии от источников тепла, масла, острых краев и движущихся деталей. Поврежденные или загубанные сетевые шнуры увеличивают риск поражения электрическим током.

5. При использовании электроинструмента вне помещения используйте удлинитель, подходящий для этих целей. Использование соответствующего шнура снижает риск поражения электрическим током.
6. Если электроинструмент приходится эксплуатировать в сыром месте, используйте линию электропитания, которая защищена устройством, срабатывающим от остаточного тока (RCD). Использование RCD снижает риск поражения электротоком.
7. Электроинструмент может создавать электромагнитные поля (EMF), которые не представляют опасности для пользователей. Однако пользователям с кардиостимуляторами и другими аналогичными медицинскими устройствами следует обратиться к производителю устройства и/или врачу перед началом эксплуатации инструмента.

Личная безопасность

1. При использовании электроинструмента будьте бдительны, следите за тем, что вы делаете, и руководствуйтесь здравым смыслом. Не пользуйтесь электроинструментом, если вы устали, находитесь под воздействием наркотиков, алкоголя или лекарственных препаратов. Даже мгновенная невнимательность при использовании электроинструмента может привести к серьезной травме.
2. Используйте индивидуальные средства защиты. Всегда надевайте защитные очки. Такие средства индивидуальной защиты, как маска от пыли, защитная нескользящая обувь, каска или наушники, используемые в соответствующих условиях, позволяют снизить риск получения травмы.
3. Не допускайте случайного запуска. Прежде чем подсоединять инструмент к источнику питания и/или аккумуляторной батарее, поднимать или переносить инструмент, убедитесь, что переключатель находится в выключенном положении. Переноска электроинструмента с пальцем на выключателе или подача питания на инструмент с включенным выключателем может привести к несчастному случаю.
4. Перед включением электроинструмента снимите с него все регулировочные инструменты и гаечные ключи. Гаечный или регулировочный ключ, оставшийся закрепленным на вращающейся детали, может привести к травме.
5. При эксплуатации устройства не тянитесь. Всегда сохраняйте устойчивое положение и равновесие. Это позволит лучше управлять электроинструментом в непредвиденных ситуациях.
6. Одевайтесь соответствующим образом. Не надевайте свободную одежду или украшения. Ваши волосы и одежда должны всегда находиться на расстоянии от движущихся деталей. Свободная одежда, украшения или длинные волосы могут попасть в движущиеся детали устройства.

7. Если электроинструмент оборудован системой удаления и сбора пыли, убедитесь, что она подключена и используется соответствующим образом. Использование пылесборника снижает вероятность возникновения рисков, связанных с пылью.
8. Не переоценивайте свои возможности и не пренебрегайте правилами техники безопасности, даже если вы часто работаете с инструментом. Небрежное обращение с инструментом может стать причиной серьезной травмы за доли секунды.
9. Во время работы с электроинструментом всегда надевайте защитные очки. Очки должны соответствовать ANSI Z87.1 для США, EN 166 для Европы, или AS/NZS 1336 для Австралии и Новой Зеландии. В Австралии и Новой Зеландии оператор также обязан носить защитную маску.



Ответственность за использование средств защиты операторами и другим персоналом вблизи рабочей зоны возлагается на работодателя.

Эксплуатация и обслуживание электроинструмента

1. Не прилагайте излишних усилий к электроинструменту. Используйте инструмент, соответствующий выполняемой вами работе. Правильно подобранный электроинструмент позволит выполнить работу лучше и безопаснее с производительностью, на которую он рассчитан.
2. Не пользуйтесь электроинструментом с неисправным выключателем. Любой электроинструмент с неисправным выключателем опасен и должен быть отремонтирован.
3. Перед выполнением регулировок, сменой принадлежностей или хранением электроинструмента всегда отключайте его от источника питания и/или от аккумулятора или снимайте аккумулятор, если он является съемным. Такие превентивные меры предосторожности снижают риск случайного включения электроинструмента.
4. Храните электроинструменты в местах, недоступных для детей, и не позволяйте лицам, не знакомым с работой такого инструмента или не прочитавшим данные инструкции, пользоваться им. Электроинструмент опасен в руках неопытных пользователей.

5. Поддерживайте электроинструмент и дополнительные принадлежности в надлежащем состоянии. Убедитесь в соосности, отсутствии деформаций движущихся узлов, поломок каких-либо деталей или других дефектов, которые могут повлиять на работу электроинструмента. Если инструмент поврежден, отремонтируйте его перед использованием. Большое число несчастных случаев происходит из-за плохого ухода за электроинструментом.
6. Режущий инструмент всегда должен быть острым и чистым. Соответствующее обращение с режущим инструментом, имеющим острые режущие кромки, делает его менее подверженным деформациям, что позволяет лучше управлять им.
7. Используйте электроинструмент, принадлежности, приспособления и насадки в соответствии с данными инструкциями и в целях, для которых он предназначен, учитывая при этом условия и вид выполняемой работы. Использование электроинструмента не по назначению может привести к возникновению опасной ситуации.
8. Рукоятки инструмента и специальные изолированные поверхности всегда должны быть сухими и чистыми и не содержать следов масла или смазки. Скользкие рукоятки и специальные поверхности препятствуют соблюдению рекомендаций по технике безопасности в экстренных ситуациях.
9. При использовании инструмента не надевайте рабочие перчатки, ткань которых инструмент может затянуть. Затягивание ткани рабочих перчаток в движущиеся части инструмента может привести к травме.

Эксплуатация и обслуживание электроинструмента, работающего на аккумуляторе

1. Заряжайте аккумулятор только зарядным устройством, указанным изготовителем. Зарядное устройство, подходящее для одного типа аккумуляторов, может привести к пожару при его использовании с другим аккумуляторным блоком.
2. Используйте электроинструмент только с указанными аккумуляторными блоками. Использование других аккумуляторных блоков может привести к травме или пожару.
3. Когда аккумуляторный блок не используется, храните его отдельно от металлических предметов, таких как скрепки, монеты, ключи, гвозди, шурупы или другие небольшие металлические предметы, которые могут привести к закорачиванию контактов аккумуляторного блока между собой. Короткое замыкание между контактами аккумуляторного блока может привести к ожогам или пожару.
4. При неправильном обращении из аккумуляторного блока может потечь жидкость. Избегайте контакта с ней. В случае контакта с кожей промойте место контакта обильным количеством воды. В случае попадания в глаза обратитесь к врачу. Жидкость из аккумулятора может вызвать раздражение или ожоги.

5. **Не используйте поврежденные или модифицированные инструменты и аккумуляторные блоки.** Поврежденные или модифицированные аккумуляторы могут работать некорректно, что может привести к пожару, взрыву или травмированию.
6. **Не подвергайте аккумуляторный блок или инструмент воздействию огня или высокой температуры.** Воздействие огня или температуры выше 130 °C может привести к взрыву.
7. **Следуйте всем инструкциям по зарядке и не заряжайте аккумуляторный блок или инструмент при температурных условиях, выходящих за пределы диапазона, указанного в инструкции.** Зарядка ненадлежащим образом или при температурных условиях, выходящих за пределы указанного диапазона, может привести к повреждению батареи и повысить риск пожара.
5. **Не используйте сучкорезную пилу, находясь на дереве, на лестнице, крыше или любой неустойчивой опоре.** Эксплуатация сучкорезной пилы таким образом может привести к тяжелым травмам.
6. **Обязательно твердо стойте на ногах и работайте с сучкорезной пилой только стоя на неподвижной, надежной и ровной поверхности.** Скользящая или неустойчивая поверхность может стать причиной потери равновесия или контроля над сучкорезной пилой.
7. **Отрезая ветку, находящуюся под нагрузкой, помните о возможной отдаче.** Когда напряжение в древесных волокнах исчезнет, отпружинившая ветка может ударить оператора и/или выбить из рук сучкорезную пилу.
8. **Соблюдайте особую осторожность при резании кустарника и молодых деревьев.** Пильная цепь может застрять в гибком материале, в результате чего вас может хлестнуть веткой, или вы можете потерять равновесие в результате рывка.

Сервисное обслуживание

1. **Сервисное обслуживание электроинструмента должно проводиться только квалифицированным специалистом по ремонту и только с использованием идентичных запасных частей.** Это позволит обеспечить безопасность электроинструмента.
2. **Запрещается обслуживать поврежденные аккумуляторные блоки.** Обслуживание аккумуляторных блоков должен осуществлять только производитель или авторизованные поставщики услуг.
3. **Следуйте инструкциям по смазке и замене принадлежностей.**
9. **Переносить сучкорезную пилу следует в выключенном состоянии, держа ее отвернутой от туловища.** На время транспортировки или хранения сучкорезной пилы обязательно надевайте крышку пильной шины. Правильное обращение с сучкорезной пилой снижает вероятность случайного прикосновения к движущейся пильной цепи.
10. **Следуйте инструкциям по нанесению смазки, регулировке натяжения цепи и замене шины и цепи.** Из-за неправильного натяжения или смазки цепи увеличивается риск поломки или отдачи.

Общие правила техники безопасности при использовании сучкорезной пилы

1. **Не дотрагивайтесь до пильной цепи во время работы сучкорезной пилы.** Перед запуском сучкорезной пилы убедитесь в том, что пильная цепь ни к чему не прикасается. Секундная невнимательность при работе с сучкорезной пилой может привести к наматыванию одежды или частей тела пильной цепью.
2. **Обязательно держите сучкорезную пилу, взявшись одной рукой за заднюю рукоятку, а другой рукой – за дополнительную рукоятку.**
3. **Держите сучкорезную пилу только за специальные изолированные поверхности, поскольку при выполнении работ существует риск контакта пильной цепи со скрытой электропроводкой.** Контакт пильных цепей с проводом под напряжением может привести к тому, что металлические детали сучкорезной пилы также окажутся под напряжением и могут вызвать поражение оператора электрическим током.
4. **Используйте защитные очки.** Рекомендуется использовать дополнительные средства защиты головы, рук, ног и органов слуха. Надлежащее защитное оборудование снижает риск получения травм от летящих частиц или при случайном прикосновении к пильной цепи.
11. **Разрешается использовать только для резки дерева.** Не используйте сучкорезную пилу в каких-либо целях, для которых она не предназначена. Например: не используйте сучкорезную пилу для резки металла, пластмассы, кирпича или недревесных строительных материалов. Использование сучкорезной пилы не по назначению может привести к опасным ситуациям.
12. **Данная сучкорезная пила не предназначена для валки деревьев.** Использование сучкорезной пилы для каких-либо операций, отличных от ее предназначения, может привести к тяжелой травме оператора или окружающих.
13. **При удалении застрявшего материала, хранения или обслуживании сучкорезной пилы соблюдайте все инструкции.** Убедитесь в том, что переключатель выключен и блок аккумулятора извлечен.
14. **Причины отдачи и меры их предотвращения оператором:**
Отдача возможна в случае, если передняя цепь или кончик пильной шины коснется какого-либо предмета или если дерево сдавит и зажмет пильную цепь в процессе резания. В некоторых случаях касание кончиком пилы может внезапно отбросить пильную шину вверх и назад в сторону оператора. Защемление пильной цепи у верхней части пильной шины может отбросить пильную шину назад к оператору.

Любая из этих реакций может стать причиной потери контроля над пилой и привести к тяжелым травмам. Не полагайтесь только на встроенные предохранительные устройства пилы. Пользователь сучкорезной пилы должен принять меры для обеспечения резки без несчастных случаев или травм.

Отдача является результатом неправильного использования сучкорезной пилы и/или неправильных процедур или условий эксплуатации. Ее можно избежать, соблюдая указанные далее меры предосторожности:

- **Крепко держите инструмент, обхватив рукоятки сучкорезной пилы большим и остальными пальцами, держа обе руки на пиле и располагая туловище и руки таким образом, который позволяет бы противодействовать силам отдачи.** Приняв соответствующие меры предосторожности, оператор способен справиться с силами отдачи. Не выпускайте сучкорезную пилу из рук.

► Рис.1

- **Не пытайтесь дотягиваться до сучьев и не срежьте сучья, расположенные выше уровня плеч.** Это поможет предотвратить непреднамеренный контакт кончика пилы и лучше управлять сучкорезной пилой в непредвиденных ситуациях.
 - **Используйте сменные стержни направляющей и пильные цепи только рекомендованного производителем типа.** Использование других сменных стержней направляющих и пильных цепей может привести к разрыву цепи и/или отдаче.
 - **Следуйте инструкциям производителя по заточке и обслуживанию цепной пилы.** Уменьшение высоты глубиномера может привести к увеличению силы отдачи.
15. **При удалении застрявшего материала, хранения или обслуживании сучкорезной пилы соблюдайте все инструкции. Убедитесь в том, что переключатель выключен и блок аккумулятора извлечен.**

Дополнительные инструкции по технике безопасности

Индивидуальные средства защиты

1. Одежда должна быть достаточно облегающей, но не должна сковывать движений.
2. Во время выполнения работ используйте следующие средства индивидуальной защиты:
 - Сертифицированную защитную каску, в случае наличия опасности от падающих веток и т. п.;
 - Защитную маску или защитные очки;
 - Соответствующие средства защиты слуха (наушники или беруши). Октавный анализ модели по запросу.
 - Прочные кожаные защитные перчатки;
 - Длинные брюки, изготовленные из прочной ткани;
 - Защитные брюки из ткани, устойчивой к порезам;

- Ботинки или сапоги для безопасной работы с нескользящей подошвой, стальным носком и тканевой подкладкой, устойчивой к порезам;
- Респиратор при выполнении работ, приводящих к образованию пыли (например, распиливание сухой древесины).

Эксплуатация

1. **Перед началом работы убедитесь, что инструмент находится в нормальном рабочем состоянии и соответствует нормативным требованиям техники безопасности. В частности, убедитесь, что:**
 - тормоз для нерабочего состояния работает нормально;
 - шина и крышка звездочки установлены правильно;
 - цепь наточена и натянута в соответствии с требованиями.
2. **Не включайте сучкорезную пилу, если на ней установлена крышка цепи.** Запуск инструмента с установленной на нем крышкой цепи может привести к отрыванию крышки вперед с причинением травмы или повреждением окружающих предметов.
3. **Не стойте непосредственно под срезаемой веткой. Обращайте внимание на падающие ветви.**
4. **Запрещается использовать инструмент в неблагоприятных погодных условиях и если существует риск удара молнии.**
5. **При использовании инструмента в грязи, на влажном склоне или на скользкой поверхности будьте осторожны, чтобы не поскользнуться.**

Электробезопасность

1. **Избегайте опасных сред. Не используйте инструмент в местах с повышенной влажностью и под дождем.** Попавшая в инструмент вода повышает опасность поражения электрическим током.
2. **Не бросайте аккумуляторные блоки в огонь.** Они могут взорваться. Уточните местные правила утилизации аккумуляторов.
3. **Не вскрывайте и не разбивайте аккумуляторы.** Содержащийся в них электролит очень едкий, вы можете повредить глаза или кожу. При проглатывании это вещество может вызвать отравление.
4. **Не заряжайте аккумулятор под дождем или в местах с повышенной влажностью.**
5. **Не заряжайте аккумулятор на улице.**
6. **Не касайтесь зарядного устройства, а также штекера и контактов зарядного устройства влажными руками.**
7. **Запрещается выполнять замену аккумулятора мокрыми руками.**
8. **Запрещается оставлять аккумулятор под дождем, а также заряжать, использовать или хранить аккумулятор в местах с повышенной влажностью.**

9. Избегайте смачивания клемм аккумулятора жидкостью, например водой, и не допускайте погружения аккумулятора в жидкость. Намокание клеммы или попадание жидкости внутрь аккумулятора могут привести к короткому замыканию аккумулятора, его перегреву, возгоранию или взрыву.
10. После извлечения аккумулятора из газонокосилки или зарядного устройства обязательно присоедините к аккумулятору крышку отсека аккумулятора и оставьте его в сухом месте.
11. В случае попадания воды на блок аккумулятора вылейте воду из блока и протрите его сухой тканью. Прежде чем использовать блок аккумулятора, дайте ему полностью высохнуть в сухом месте.

СОХРАНИТЕ ДАННЫЕ ИНСТРУКЦИИ.

▲ОСТОРОЖНО: НЕ ДОПУСКАЙТЕ, чтобы удобство или опыт эксплуатации данного устройства (полученный от многократного использования) доминировали над строгим соблюдением правил техники безопасности при обращении с этим устройством. **НЕПРАВИЛЬНОЕ ИСПОЛЬЗОВАНИЕ** инструмента или несоблюдение правил техники безопасности, указанных в данном руководстве, может привести к тяжелой травме.

Важные правила техники безопасности для работы с аккумуляторным блоком

1. Перед использованием аккумуляторного блока прочитайте все инструкции и предупреждающие надписи на (1) зарядном устройстве, (2) аккумуляторном блоке и (3) инструменте, работающем от аккумуляторного блока.
 2. Не разбирайте блок аккумулятора и не меняйте его конструкцию. Это может привести к пожару, перегреву или взрыву.
 3. Если время работы аккумуляторного блока значительно сократилось, немедленно прекратите работу. В противном случае, может возникнуть перегрев блока, что приведет к ожогам и даже к взрыву.
 4. В случае попадания электролита в глаза промойте их обильным количеством чистой воды и немедленно обратитесь к врачу. Это может привести к потере зрения.
 5. Не замыкайте контакты аккумуляторного блока между собой:
 - (1) Не прикасайтесь к контактам какими-либо токопроводящими предметами.
 - (2) Не храните аккумуляторный блок в контейнере вместе с другими металлическими предметами, такими как гвозди, монеты и т. п.
 - (3) Не допускайте попадания на аккумуляторный блок воды или дождя.
6. Не храните и не используйте инструмент и аккумуляторный блок в местах, где температура может достигать или превышать 50 °C (122 °F).
 7. Не бросайте аккумуляторный блок в огонь, даже если он сильно поврежден или полностью вышел из строя. Аккумуляторный блок может взорваться под действием огня.
 8. Запрещено вбивать гвозди в блок аккумулятора, резать, ломать, бросать, ронять блок аккумулятора или ударять его твердым предметом. Это может привести к пожару, перегреву или взрыву.
 9. Не используйте поврежденный аккумуляторный блок.
 10. Входящие в комплект литий-ионные аккумуляторы должны эксплуатироваться в соответствии с требованиями законодательства об опасных товарах.

При коммерческой транспортировке, например, третьей стороной или экспедитором, необходимо нанести на упаковку специальные предупреждения и маркировку.

В процессе подготовки устройства к отправке обязательно проконсультируйтесь со специалистом по опасным материалам. Также соблюдайте местные требования и нормы. Они могут быть строже.

Закройте или закрепите разомкнутые контакты и упакуйте аккумулятор так, чтобы он не перемещался по упаковке.
 11. Для утилизации блока аккумулятора извлеките его из инструмента и утилизируйте безопасным способом. Выполняйте требования местного законодательства по утилизации аккумуляторного блока.
 12. Используйте аккумуляторы только с продукцией, указанной Makita. Установка аккумуляторов на продукцию, не соответствующую требованиям, может привести к пожару, перегреву, взрыву или утечке электролита.
 13. Если инструментом не будут пользоваться в течение длительного периода времени, извлеките аккумулятор из инструмента.
 14. Во время и после использования блок аккумулятора может нагреваться, что может стать причиной ожогов или низкотемпературных ожогов. Будьте осторожны при обращении с горячим блоком аккумулятора.
 15. Не прикасайтесь к контактам инструмента сразу после использования, поскольку они могут быть достаточно горячими, чтобы вызвать ожоги.
 16. Не допускайте налипания на контакты, отверстия и пазы блока аккумулятора опилок, пыли или земли. Это может стать причиной перегрева, возгорания, взрыва или неисправности инструмента или блока аккумулятора, что может привести к ожогам или травмам.

17. Если инструмент не рассчитан на использование вблизи высоковольтных линий электропередач, не используйте блок аккумулятора вблизи высоковольтных линий электропередач. Это может привести к неисправности, поломке инструмента или блока аккумулятора.
18. Храните аккумулятор в недоступном для детей месте.

СОХРАНИТЕ ДАННЫЕ ИНСТРУКЦИИ.

ВНИМАНИЕ: Используйте только фирменные аккумуляторные батареи Makita. Использование аккумуляторных батарей, не произведенных Makita, или батарей, которые были подвергнуты модификациям, может привести к взрыву аккумулятора, пожару, травмам и повреждению имущества. Это также автоматически аннулирует гарантию Makita на инструмент и зарядное устройство Makita.

Советы по обеспечению максимального срока службы аккумулятора

1. Заряжайте блок аккумуляторов перед его полной разрядкой. Обязательно прекратите работу с инструментом и зарядите блок аккумуляторов, если вы заметили снижение мощности инструмента.
2. Никогда не подзаряжайте полностью заряженный блок аккумуляторов. Перезарядка сокращает срок службы аккумулятора.
3. Заряжайте блок аккумуляторов при комнатной температуре в 10 - 40 °C (50 - 104 °F). Перед зарядкой горячего блока аккумуляторов дайте ему остыть.
4. Если блок аккумулятора не используется, извлеките его из инструмента или зарядного устройства.

ОПИСАНИЕ ДЕТАЛЕЙ

► Рис.2

1	Дополнительная рукоятка	2	Защитная крышка	3	Пильная цепь
4	Пильная шина	5	Крышка маслобака	6	Крышка пильной шины
7	Крышка звездочки	8	Рычаг разблокировки	9	Задняя ручка
10	Триггерный переключатель	11	Рычаг	12	Блок аккумулятора

ОПИСАНИЕ РАБОТЫ

ВНИМАНИЕ: Перед регулировкой или проверкой функций инструмента обязательно убедитесь, что он выключен и его аккумуляторный блок снят.

Установка или снятие блока аккумуляторов

ВНИМАНИЕ: Обязательно выключайте инструмент перед установкой и извлечением аккумуляторного блока.

ВНИМАНИЕ: При установке и извлечении аккумуляторного блока крепко удерживайте инструмент и аккумуляторный блок. Если не соблюдать это требование, они могут выскользнуть из рук, что приведет к повреждению инструмента, аккумуляторного блока и травмированию оператора.

► Рис.3: 1. Красный индикатор 2. Кнопка 3. Блок аккумулятора

Для снятия аккумуляторного блока нажмите кнопку на лицевой стороне и извлеките блок.

Для установки блока аккумулятора совместите выступ блока аккумулятора с пазом в корпусе и задвиньте его на место. Устанавливайте блок до упора, чтобы он зафиксировался с небольшим щелчком. Если вы видите красный индикатор, как показано на рисунке, он не зафиксирован полностью.

ВНИМАНИЕ: Обязательно устанавливайте блок аккумулятора до конца, чтобы красный индикатор не был виден. В противном случае блок аккумулятора может выпасть из инструмента и нанести травму вам или другим людям.


ВНИМАНИЕ: Не прилагайте чрезмерных усилий при установке аккумуляторного блока. Если блок не двигается свободно, значит он вставлен неправильно.

Индикация оставшегося заряда аккумулятора

Только для блоков аккумулятора с индикатором

► Рис.4: 1. Индикаторы 2. Кнопка проверки

Нажмите кнопку проверки на аккумуляторном блоке для проверки заряда. Индикаторы загорятся на несколько секунд.

Индикаторы	Уровень заряда
 Горит	от 75 до 100%
 Выкл.	
	от 50 до 75%
	от 25 до 50%
	от 0 до 25%

ПРИМЕЧАНИЕ: В зависимости от условий эксплуатации и температуры окружающего воздуха индикация может незначительно отличаться от фактического значения.

Система защиты инструмента/аккумулятора

На инструменте предусмотрена система защиты инструмента/аккумулятора. Она автоматически отключает питание двигателя для продления срока службы инструмента и аккумулятора. Инструмент автоматически остановится во время работы в следующих случаях:

Перегрузка:

В текущем режиме эксплуатации инструмент потребляет очень большой ток. В этом случае выключите инструмент и прекратите работу, из-за которой произошла перегрузка инструмента. Затем включите инструмент для перезапуска. Если инструмент не включается, значит, аккумулятор перегрелся. В этом случае дайте аккумулятору остыть перед повторным включением инструмента.

Низкое напряжение аккумуляторной батареи:

Уровень заряда аккумулятора слишком низкий, и инструмент не работает. При включении инструмента электродвигатель запускается и вскоре останавливается. В этом случае снимите и зарядите аккумулятор.

Действие выключателя

▲ОСТОРОЖНО: В целях безопасности инструмент оснащен рычагом разблокировки, который предотвращает случайное включение инструмента. **ЗАПРЕЩАЕТСЯ** использовать инструмент после нажатия триггерного переключателя без включения рычага разблокировки. Верните инструмент в авторизованный сервисный центр для надлежащего ремонта ДО продолжения его эксплуатации.

▲ОСТОРОЖНО: ЗАПРЕЩЕНО фиксировать рычаг разблокировки при помощи липкой ленты и вносить изменения в его конструкцию.

▲ВНИМАНИЕ: Перед установкой аккумуляторного блока в инструмент обязательно убедитесь, что его триггерный переключатель нормально работает и возвращается в положение "OFF" (ВЫКЛ) при отпускании.

ПРИМЕЧАНИЕ: Не давите сильно на триггерный переключатель, не нажав на рычаг разблокировки. Это может привести к поломке переключателя.

Для предотвращения случайного нажатия триггерного переключателя инструмент оборудован рычагом блокировки в выключенном положении. Для запуска инструмента нажмите на рычаг блокировки в выключенном положении, а затем оттяните триггерный переключатель. Для остановки инструмента отпустите триггерный переключатель.

► Рис.5: 1. Триггерный переключатель 2. Рычаг разблокировки

Проверка тормоза для остановки цепи, когда пила выключена

▲ВНИМАНИЕ: Если во время этой проверки пильная цепь не останавливается в течение нескольких секунд, прекратите использование инструмента и обратитесь в наш авторизованный сервисный центр.

Включите инструмент и полностью отпустите триггерный переключатель. Пильная цепь должна остановиться в течение нескольких секунд.

СБОРКА

▲ВНИМАНИЕ: Перед проведением каких-либо работ с инструментом обязательно убедитесь, что инструмент отключен, а блок аккумулятора снят.

▲ВНИМАНИЕ: Не прикасайтесь к пильной цепи голыми руками. При работе с пильной цепью обязательно надевайте защитные перчатки.

Снятие или установка пильной цепи

▲ВНИМАНИЕ: После окончания эксплуатации пильная цепь и пильная шина остаются горячими. Дождитесь, пока они остынут, прежде чем выполнять какие-либо работы с инструментом.

▲ВНИМАНИЕ: Процедуру установки и снятия пильной цепи необходимо осуществлять в чистом месте, где нет опилок или других инородных предметов.

Снятие пильной цепи

Чтобы снять пильную цепь, выполните следующие действия:

1. Оттяните рычаг вверх.
► **Рис.6:** 1. Рычаг
2. Поворачивайте рычаг против часовой стрелки до тех пор, пока не будет возможно снять звездочку.
► **Рис.7:** 1. Крышка звездочки 2. Рычаг
3. Снимите крышку звездочки, затем отсоедините пильную цепь и пильную шину от корпуса инструмента.

Установка пильной цепи

Чтобы установить пильную цепь, выполните следующие действия:

1. Оттяните рычаг вверх.
► **Рис.8:** 1. Рычаг
 2. Поворачивайте рычаг против часовой стрелки до тех пор, пока не будет возможно снять звездочку.
► **Рис.9:** 1. Рычаг 2. Крышка звездочки
 3. Снимите крышку звездочки.
 4. Совместите отверстие в стержне направляющей со штифтом на корпусе инструмента, а затем расположите стержень направляющей, как показано на рисунке.
► **Рис.10:** 1. Стержень направляющей 2. Отверстие 3. Штифт
 5. Сдвиньте стержень направляющей в направлении звездочки для блокировки штифта.
► **Рис.11:** 1. Стержень направляющей 2. Штифт
 6. Снимите стержень направляющей с корпуса инструмента.
 7. Проверьте направление движения пильной цепи. Направление пильной цепи должно совпадать с направлением, обозначенным отметкой на корпусе инструмента.
► **Рис.12:** 1. Отметка на корпусе инструмента
 8. Поместите один конец пильной цепи на верхнюю часть стержня направляющей.
 9. Оберните другой конец пильной цепи вокруг звездочки, а затем прикрепите стержень направляющей к корпусу инструмента таким образом, чтобы отверстие в стержне направляющей совместилось со штифтом на корпусе.
► **Рис.13:** 1. Звездочка
- Надавите на стержень направляющей в сторону корпуса инструмента для высвобождения штифта. Натяжение пильной цепи регулируется автоматически.
- **Рис.14:** 1. Пильная цепь 2. Штифт 3. Звездочка
10. Расположите крышку звездочки таким образом, чтобы болт и штифт на корпусе инструмента соответствовали своим ответным элементам на крышке звездочки.
► **Рис.15:** 1. Крышка звездочки 2. Болт 3. Штифт

11. Поворачивайте рычаг по часовой стрелке, пока крышка звездочки не будет надежно закреплена, а затем верните его в первоначальное положение.

► **Рис.16:** 1. Рычаг 2. Крышка звездочки

Убедитесь в том, что пильная цепь не ослабла и может плавно перемещаться назад и вперед. При необходимости отрегулируйте натяжение пильной цепи согласно инструкциям в разделе регулировки натяжения пильной цепи.

Регулирование натяжения пильной цепи

▲ВНИМАНИЕ: Слишком слабо натянутая цепь может соскочить с шины и привести к травме или несчастному случаю.

После многочасового использования пильная цепь может ослабнуть. Перед использованием периодически проверяйте натяжение пильной цепи.

В случае ослабления пильной цепи отрегулируйте ее натяжение.

1. Оттяните рычаг вверх.
► **Рис.17:** 1. Рычаг
2. Немного поверните рычаг против часовой стрелки, чтобы слегка ослабить крышку звездочки. Натяжение цепи регулируется автоматически.
► **Рис.18:** 1. Крышка звездочки 2. Рычаг
3. Поворачивайте рычаг по часовой стрелке, пока крышка звездочки не будет надежно закреплена, а затем верните его в первоначальное положение.
► **Рис.19:** 1. Рычаг 2. Крышка звездочки

ЭКСПЛУАТАЦИЯ

Смазка

▲ВНИМАНИЕ: Не используйте данный инструмент при пустом бачке. Необходимо своевременно доливать масло до опорожнения бачка.

▲ВНИМАНИЕ: Не допускайте попадания масла на кожу и в глаза. Попадание в глаза вызывает раздражение. В случае попадания в глаза немедленно промойте пораженный глаз чистой водой и сразу обратитесь к врачу.

▲ВНИМАНИЕ: Ни в коем случае не пользуйтесь отработанным маслом. Отработанное масло содержит канцерогенные вещества. Загрязняющие примеси в отработанном масле вызывают ускоренный износ масляного насоса, шины и цепи. Отработанное масло наносит вред окружающей среде.

ПРИМЕЧАНИЕ: При первом использовании инструмента может потребоваться до двух минут, пока масло для пильной цепи не начнет смазывать механизм пилы. Запустите пилу без нагрузки, чтобы смазать механизм.

ПРИМЕЧАНИЕ: При первой заливке масла или при его добавлении после полного опорожнения емкости заливайте масло до нижней края заливной горловины. В противном случае, подача масла может быть нарушена.

ПРИМЕЧАНИЕ: Используйте только масло для пильных цепей, предназначенное для инструментов Makita, или эквивалентное масло, имеющееся в продаже.

ПРИМЕЧАНИЕ: Запрещается использовать загрязненное пылью и прочими частицами масло или летучую смазку.

ПРИМЕЧАНИЕ: При обрезке деревьев используйте масло растительного происхождения. При использовании минерального масла существует вероятность повреждения деревьев.

ПРИМЕЧАНИЕ: Прежде чем приступить к резке, убедитесь, что крышка масляного бака завинчена.

Смазка пильной цепи осуществляется автоматически во время работы. Периодически проверяйте количество масла в баке через контрольное окно уровня масла.

► **Рис.20:** 1. Контрольное окно уровня масла
2. Крышка маслобака

Чтобы залить масло, выполните указанные далее действия.

1. Тщательно очистите участок вокруг крышки масляного бака, чтобы предотвратить попадание грязи в масляный бак.
 2. Положите инструмент на бок.
 3. Нажмите кнопку на крышке масляного бака, чтобы кнопка на другой стороне поднялась, затем снимите крышку масляного бака, повернув ее.
- **Рис.21:** 1. Крышка маслобака 2. Затянуть 3. Ослабить
4. Заполните масляный бак маслом. Необходимое количество масла – 55 мл.
 5. Плотно закрутите крышку масляного бака.
 6. Тщательно вытрите пролитое масло для цепи.

ПРИМЕЧАНИЕ: Если крышку масляного бака снять трудно, вставьте жало шлицевой отвертки в паз крышки масляного бака и снимите крышку масляного бака, повернув ее против часовой стрелки.

► **Рис.22:** 1. Гнездо 2. Шлицевая отвертка

После доливания не подносите инструмент близко к отрезаемому материалу. Запустите его и дождитесь надлежащего смазывания пильной цепи.

► **Рис.23**

Работа с инструментом

ВНИМАНИЕ: Не приближайте пильную цепь к каким-либо частям тела во время работы инструмента.

ВНИМАНИЕ: При работающем инструменте крепко держите его двумя руками.

ВНИМАНИЕ: При эксплуатации устройства не тянитесь. Всегда сохраняйте устойчивое положение и равновесие.

ПРИМЕЧАНИЕ: Не кидайте и не роняйте инструмент.

ПРИМЕЧАНИЕ: Не закрывайте вентиляционные отверстия инструмента.

Перед запуском инструмента приведите основание стержня направляющей и опорную часть корпуса инструмента в соприкосновение с веткой, как показано на рисунке. Удерживая инструмент и стержень направляющей в контакте с веткой, запустите инструмент и отпилите ветку, перемещая инструмент вниз вдоль ветки.

► **Рис.24**

ВНИМАНИЕ: Перед началом резки убедитесь в том, что срезаемая ветка соприкасается с основанием стержня направляющей и опорной частью корпуса инструмента. В противном случае инструмент может быть оттянут в направлении кончика стержня направляющей, а стержень направляющей может раскачаться, что приведет к причинению травмы.

Переноска инструмента

Перед переноской инструмента необходимо снять блок аккумулятора с инструмента. Затем прикрепите крышку пильной шины. Также закройте блок аккумулятора крышкой аккумулятора отсека.

► **Рис.25:** 1. Крышка пильной шины 2. Крышка аккумуляторной батареи

ОБСЛУЖИВАНИЕ

ВНИМАНИЕ: Перед проведением проверки или работ по техобслуживанию всегда проверяйте, что инструмент выключен, а блок аккумуляторов снят.

ВНИМАНИЕ: При выполнении осмотра или обслуживания всегда надевайте перчатки.

ПРИМЕЧАНИЕ: Запрещается использовать бензин, растворители, спирт и другие подобные жидкости. Это может привести к обесцвечиванию, деформации и трещинам.

Для обеспечения БЕЗОПАСНОСТИ и НАДЕЖНОСТИ обслуживания ремонт, любое другое техобслуживание или регулировку необходимо производить в уполномоченных сервис-центрах Makita или сервис-центрах предприятия с использованием только сменных частей производства Makita.

Заточка пильной цепи

Выполните заточку пильной цепи, если:

- При пилении влажной древесины образуются рыхлые опилки;
- Цепь с трудом входит в древесину даже при приложении значительного усилия на пилу;
- Края распила имеют явные повреждения;
- Пилу при пилении тянет влево или вправо. (из-за неравномерной заточки пильной цепи или повреждения только с одной стороны)

Выполняйте заточку пильной цепи достаточно часто, но понемногу. Для заточки пилы при проведении повседневного ухода обычно достаточно двух или трех проходов напильником. После нескольких заточек заточите пильную цепь в авторизованном сервисном центре.

Требования к заточке:

⚠ ОСТОРОЖНО: Слишком большое расстояние между режущей кромкой и глубиномером повышает риск отбрасывания инструмента из-за отдачи.

- **Рис.26:** 1. Длина режущего элемента
2. Расстояние между режущей кромкой и глубиномером 3. Минимальная длина зубьев (3 мм)

- Длина всех зубьев должна быть одинаковой. Зубья разной длины будут затруднять плавное движение пильной цепи и могут привести к ее разрыву.
- Если длина зубьев пильной цепи 3 мм или меньше, заточивать цепь запрещается. Вместо этого ее необходимо заменить.
- Толщина опилок определяется расстоянием между глубиномером (круглый выступ) и краем режущей кромки.
- Наилучшие результаты достигаются при соблюдении следующего расстояния между режущей кромкой и глубиномером.
 - Цепное лезвие 80TXL : 0,65 мм

► Рис.27

- Угол заточки в 30° должен соблюдаться на всех зубьях. Разница в углах заточки может привести к резкому и неравномерному движению цепи, ускоренному износу и к разрыву цепи.
- Необходимо использовать подходящий круглый напильник, чтобы угол заточки был направлен от зубьев.
 - Цепное лезвие 80TXL : 55°

Напильник и заточка напильником

- Для заточки цепей пилы используйте специальный круглый напильник (дополнительная принадлежность). Обычные круглые напильники не подходят для заточки цепей.
- Диаметр круглого напильника для каждой пильной цепи:
 - Цепное лезвие 80TXL : 4,0 мм
- Напильник должен стачивать зуб только при движении вперед. При перемещении напильника назад приподнимайте его над зубьями.
- Сначала наточите самый короткий зуб. Длина этого зуба будет служить ориентиром для остальных зубьев пильной цепи.

- Направляйте напильник, как показано на рисунке.

► Рис.28: 1. Напильник 2. Пильная цепь

- При использовании держателя напильника (дополнительная принадлежность) направлять напильник будет значительно легче. Держатель напильника имеет метки для правильного угла заточки в 30° (совместите метки параллельно с пильной цепью) и ограничивает глубину проникновения (до 4/5 диаметра напильника).

► Рис.29: 1. Держатель напильника

- После заточки цепи проверьте высоту глубиномера, используя для этого измерительный инструмент для цепи (дополнительная принадлежность).

► Рис.30

- Удалите любые, даже небольшие, выступы материала при помощи специального плоского напильника (дополнительная принадлежность).
- Закруглите еще раз переднюю часть глубиномера.

Очистка пильной шины

В пазе пильной шины накапливаются щепки и опилки. Это может привести к засорению паза и ухудшить ток масла. Поэтому при заточке или замене пильной цепи необходимо выполнять очистку от щепок и опилок.

► Рис.31

Очистка крышки звездочки

Во внутренней части крышки звездочки накапливаются щепки и опилки. Поэтому необходимо снимать крышку звездочки и отсоединять пильную цепь от инструмента, а затем выполнять очистку от щепок и опилок.

► Рис.32

Очистка отверстия для подачи масла

Во время работы мелкая пыль или частицы могут скапливаться в отверстии для подачи масла. Они могут негативно повлиять на подачу масла и привести к недостаточной смазке всей пильной цепи. В случае ухудшения подачи масла к цепи в верхней части пильной шины очистите отверстие для подачи масла следующим образом.

1. Снимите крышку звездочки и пильную цепь с инструмента.

2. Удалите мелкую пыль или частицы плоской отверткой или аналогичным инструментом.

► Рис.33: 1. Шлицевая отвертка 2. Отверстие нагнетания масла

3. Вставьте блок аккумулятора в инструмент.

Нажмите на триггерный переключатель для вымывания пыли и мелких частиц через отверстие подачи масла.

4. Извлеките блок аккумулятора из инструмента. Установите крышку звездочки, пильную цепь и стержень направляющей обратно на инструмент.

Замена звездочки

ВНИМАНИЕ: Изношенная звездочка приведет к повреждению новой пильной цепи. Во избежание этого замените звездочку.

Перед установкой новой пильной цепи проверьте состояние звездочки.

► **Рис.34:** 1. Звездочка 2. Подвергающиеся износу участки

При замене звездочки всегда устанавливайте новое блокирующее кольцо.

► **Рис.35:** 1. Блокирующее кольцо 2. Звездочка

ПРИМЕЧАНИЕ: Убедитесь, что звездочка была установлена, как показано на рисунке.

Хранение инструмента

1. Перед хранением почистите пилу. Сняв крышку звездочки, удалите щепки и опилки.
2. После очистки инструмента включите его на холостом ходу, чтобы смазать пильную цепь и пильную шину.
3. Закройте пильную шину крышкой.
4. Опорожните масляный бак.

Указания по периодическому обслуживанию

Чтобы обеспечить продолжительный срок эксплуатации, отсутствие повреждений и правильную работу защитных устройств, необходимо регулярно проводить техническое обслуживание. Гарантийные претензии принимаются только при условии надлежащего и регулярного выполнения этих работ. Невыполнение обязательного технического обслуживания может стать причиной несчастных случаев! Пользователь инструмента не должен выполнять работы по техническому обслуживанию, которые не описаны в инструкции по эксплуатации. Все подобные работы должны выполняться только в нашем авторизованном сервисном центре.

Элемент, подлежащий проверке / Время эксплуатации		Перед началом работы	Ежедневно	Еженедельно	Каждые 3 месяца	Ежегодно	Перед хранением
Инструмент в целом	Осмотр.	✓	-	-	-	-	-
	Очистка.	-	✓	-	-	-	-
	Проверьте в авторизованном сервисном центре.	-	-	-	-	✓	✓
Пильная цепь	Осмотр.	✓	-	-	-	-	-
	При необходимости заточите.	-	-	-	-	-	✓
Пильная шина	Осмотр.	✓	✓	-	-	-	-
	Снять с инструмента.	-	-	-	-	-	✓
Смазка цепи	Проверьте скорость подачи масла.	✓	-	-	-	-	-
Триггерный переключатель	Осмотр.	✓	-	-	-	-	-
Рычаг разблокировки	Осмотр.	✓	-	-	-	-	-
Крышка маслобака	Проверьте герметичность.	✓	-	-	-	-	-
Винты и гайки	Осмотр.	-	-	✓	-	-	-

ПОИСК И УСТРАНЕНИЕ НЕИСПРАВНОСТЕЙ

Прежде чем обращаться по поводу ремонта, проведите осмотр самостоятельно. Если обнаружена неисправность, не указанная в руководстве, не пытайтесь разобрать инструмент. Обратитесь в один из авторизованных сервисных центров Makita, в которых для ремонта всегда используются оригинальные детали Makita.

Неисправность	Причина	Действие
Инструмент не запускается.	Не вставлен блок аккумулятора.	Установите заряженный блок аккумулятора.
	Неисправен аккумулятор (низкое напряжение).	Подзарядите блок аккумулятора. Если подзарядка не помогает, замените блок аккумулятора.
После непродолжительного использования двигатель останавливается.	Низкий уровень заряда аккумулятора.	Подзарядите блок аккумулятора. Если подзарядка не помогает, замените блок аккумулятора.
Нет масла на цепи.	Масляный бак пуст.	Заполните масляный бак.
	Загрязнен направляющий желоб для масла.	Очистите желоб.
Инструмент не достигает максимальной частоты вращения.	Неправильно установлен блок аккумулятора.	Вставьте блок аккумулятора, как описано в настоящем руководстве.
	Заряд аккумулятора падает.	Зарядите блок аккумулятора. Если перезарядка не помогает, замените блок аккумулятора.
	Привод работает неправильно.	Обратитесь в авторизованный сервисный центр в вашем регионе для выполнения ремонта.
Сильная вибрация: Немедленно остановите инструмент!	Ослабьте пильную шину или пильную цепь.	Отрегулируйте натяжение пильной шины и пильной цепи.
	Неисправность инструмента.	Обратитесь в авторизованный сервисный центр в вашем регионе для выполнения ремонта.
Невозможно установить пильную цепь.	Неправильное сочетание пильной цепи и звездочки.	Используйте правильную комбинацию пильной цепи и звездочки (см. раздел технических характеристик).

ДОПОЛНИТЕЛЬНЫЕ ПРИНАДЛЕЖНОСТИ

⚠ ВНИМАНИЕ: Данные принадлежности или приспособления рекомендуются для использования с инструментом Makita, указанным в настоящем руководстве. Использование других принадлежностей или приспособлений может привести к получению травмы. Используйте принадлежность или приспособление только по указанному назначению.

Если вам необходимо содействие в получении дополнительной информации по этим принадлежностям, свяжитесь с вашим сервис-центром Makita.

- Пильная цепь
- Пильная шина
- Крышка пильной шины
- Напильник
- Сумка для инструмента
- Оригинальный аккумулятор и зарядное устройство Makita

ПРИМЕЧАНИЕ: Некоторые элементы списка могут входить в комплект инструмента в качестве стандартных приспособлений. Они могут отличаться в зависимости от страны.

ТЕХНИКАЛЫҚ СИПАТТАМАЛАРЫ

Үлгі:		UC100D
Жалпы ұзындығы (ара шинасы және аккумулятор тағылмаған кезде)		350 мм
Номиналды кернеу		10,8 В - 12 В ТТ макс.
Таза салмағы	*1	1,0 кг
	*2	1,5 - 1,6 кг
Стандартты ара шинасының ұзындығы		100 мм
Ұсынылған бағыттауыш білігінің ұзындығы		100 мм
Қолдануға болатын ара шынжырының түрі (төмендегі кестеден қараңыз)		80TXL
Тісті барабан	Тіс саны	7
	Аралығы	0,325 дюйм
Шынжыр жылдамдығы		0–8,0 м/с (0–480 м/мин)
Шынжырға арналған май бағының көлемі		55 см ³

• Зерттеу мен әзірлеудің үздіксіз бағдарламасына байланысты осы құжаттағы техникалық сипаттамалар ескертусіз өзгертілуі мүмкін.

• Техникалық сипаттамалары әр елде әр түрлі болуы мүмкін.

*1: Салмағы, ара шынжырынсыз, бағыттауыш біліксіз, бағыттауыш біліктің қақпағынсыз, май мен аккумулятор картридж(дері)інсіз.

*2: ЕРТА 01/2014 процедурасына сәйкес ең жеңіл және ең ауыр салмақ тіркесімі. Өнімнің салмағы аккумулятор картридж(дері) сияқты қондырма(лар)ға байланысты әртүрлі болуы мүмкін.

Ара шынжыры, бағыттауыш білігі және құрама тісті барабан

Ара шынжырының түрі		80TXL
Жетек буындарының саны		26
Бағыттауыш білік	Бағыттауыш біліктің ұзындығы	100 мм
	Кесу ұзындығы	111 мм
	Аралығы	0,325 дюйм
	Өлшегіш	1,1 мм
	Түрі	Қатты тұмсықты шина
Тісті барабан	Тістер саны	7
	Аралығы	0,325 дюйм

⚠ЕСКЕРТУ: Бағыттауыш біліктің және ара жүзінің тиісті тіркесімін пайдаланыңыз. Өйтпесе жарақат алуыңыз мүмкін.

Жарамды аккумулятор картриджі мен зарядтау құрылғысы

Аккумулятор картриджі	BL1016 / BL1021B / BL1041B
Зарядтау құрылғысы	DC10SA / DC10SB / DC10WC / DC10WD / DC18RE

• Жоғарыда берілген аккумулятор картридждері мен зарядтау құрылғыларының кейбірі сіздің тұрып жатқан жеріңізге байланысты қолжетімсіз болуы мүмкін.

⚠ЕСКЕРТУ: Тек жоғарыда аталған аккумулятор картридждері мен зарядтау құрылғыларын ғана пайдаланыңыз. Аккумулятор картридждері мен зарядтау құрылғыларының басқа түрлерін пайдалансаңыз, жарақат алуыңыз және/немесе өрт шығуы мүмкін.

Белгілер

Төменде жабдықта пайдаланылуы мүмкін белгілер көрсетілген. Пайдалану алдында олардың мағынасын түсініп алыңыз.



Пайдалану жөніндегі нұсқаулықты оқып шығыңыз.



Қорғайтын көзілдірік пен құлақ қорғанысын тағыңыз.



Пайдаланған кезде, құралды міндетті түрде екі қолыңызбен ұстаңыз.



Құралдың кері серпілуінен сақ болыңыз және шина ұшына тиіп кетпеңіз.



Құралды ылғалды жерге қоймаңыз.



Максималды рұқсат етілген кесу ұзындығы



Шынжыр қозғалысының бағыты



Ni-MH
Li-Ion

Тек ЕО елдеріне арналған
Жабдықта қауіпті құрамдастардың болуына байланысты, электрлік және электрондық жабдықтардың, аккумуляторлар мен батареялардың қалдықтары қоршаған ортаға және адам денсаулығына кері әсерін тигізуі мүмкін. Электрлік және электрондық құрылғыларды немесе батареяларды тұрмыстық қалдықтармен бірге тастауға болмайды!
Электрлік және электрондық жабдықтардың қалдықтары және аккумуляторлар мен батареялар және аккумуляторлар мен батареялардың қалдықтары, сондай-ақ олардың ұлттық заңнамаға бейімделуі туралы Еуропалық директиваға сәйкес, электрлік жабдықтардың, батареялардың және аккумуляторлардың қалдықтары бөлек жиналуы және қоршаған ортаны қорғау ережелеріне сәйкес жұмыс істейтін тұрмыстық қалдықтарды жинау пунктіне жеткізілуі керек.
Бұл жабдыққа орналастырылған айқас сызықпен сызылған деңгейлі қоқыс жәшігінің белгісі арқылы көрсетіледі.



Көпшілік берілетін дыбыс қысымының деңгейі ЕО сыртқы шуыл бойынша директивасына сәйкес келеді.



Дыбыс қуатының деңгейі Австралияның NSW шуылды басқару туралы ережесіне сәйкес келеді

Қолдану мақсаты

Бұл құрал ағаштардың бұтақтарын немесе бұталарды аралау шынжырымен кесуге арналған.

Шу

EN62841-4-1 стандартына сай анықталған стандартты А-өлшенген шу деңгейі:
Дыбыс қысымының деңгейі (L_{pA}): 79 дБА
Дыбыс қуатының деңгейі (L_{WA}): 87 дБА
Дөлсіздік (K): 3 дБА

ЕСКЕРТПЕ: Шудың жарияланған таралу мән(дер) і стандартты сынау әдісіне сәйкес өлшенген және оны бір құралды екінші құралмен салыстыру үшін пайдалануға болады.

ЕСКЕРТПЕ: Жарияланған шуды сондай-ақ әсерді алдын ала бағалау үшін пайдалануға болады.

⚠ЕСКЕРТУ: Қорғаныс құлаққабын киіңіз.

⚠ЕСКЕРТУ: Электрлік құралды іс жүзінде пайдалану кезіндегі шудың таралу мөні құралдың пайдалану әдісіне, әсіресе қандай дайындама өңделгеніне байланысты жарияланған мәнінен өзгеше болуы мүмкін.

⚠ЕСКЕРТУ: Іс жүзінде пайдалану кезіндегі әсерді бағалау негізінде операторды қорғау үшін қауіпсіздік шараларын анықтаңыз (құралдың өшірілген уақыты және бос жүріс уақытын қоса алғанда, іске қосылу уақыты сияқты барлық жұмыс циклдерін ескеру керек).

Діріл

EN62841-4-1 сәйкес анықталған дірілдің жалпы мөні (үш осьтік векторлық сома):
Жұмыс режимі: ағаш кесу
Дірілдің таралуы (a_{wv}): 4,8 м/с²
Дөлсіздік (K): 1,5 м/с²

ЕСКЕРТПЕ: Дірілдің жарияланған жалпы мән(дер) і стандартты сынау әдісіне сәйкес өлшенген және оны бір құралды екінші құралмен салыстыру үшін пайдалануға болады.

ЕСКЕРТПЕ: Сондай-ақ дірілдің жарияланған жалпы мән(дер)ін әсерді алдын ала бағалау үшін пайдалануға болады.

⚠ЕСКЕРТУ: Электрлік құралды іс жүзінде пайдалану кезіндегі дірілдің мөні құралдың пайдалану әдісіне, әсіресе қандай дайындама өңделгеніне байланысты жарияланған мән(дер)інен өзгеше болуы мүмкін.

⚠ЕСКЕРТУ: Іс жүзінде пайдалану кезіндегі әсерді бағалау негізінде операторды қорғау үшін қауіпсіздік шараларын анықтаңыз (құралдың өшірілген уақыты және бос жүріс уақытын қоса алғанда, іске қосылу уақыты сияқты барлық жұмыс циклдерін ескеру керек).

Техникалық регламенттердің талаптарына сәйкестік туралы декларациялар

Тек Еуропа елдеріне арналған

Сәйкестік декларациялары осы пайдалану жөніндегі нұсқаулықтың А қосымшасына қосылған.

ҚАУІПСІЗДІК БОЙЫНША ЕСКЕРТУЛЕР

Электрлік құралдың жалпы қауіпсіздік ескертулері

⚠ЕСКЕРТУ осы электрлік құралмен бірге берілген қауіпсіздік техникасы бойынша ескертулерді, нұсқауларды, суреттерді және техникалық спецификацияларды оқып шығыңыз. Төменде берілген нұсқаулардың барлығы орындалмаса, электр тоғы соғуы, өрт шығуы және/немесе адам ауыр жарақат алуы мүмкін.

Алдағы уақытта қолдану үшін барлық ескерту мен нұсқауды сақтап қойыңыз.

Ескертулердегі "электрлік құрал" термині қуат көзінен жұмыс істейтін (сымды) электрлік құралды немесе аккумулятормен жұмыс істейтін (сымсыз) электрлік құралды білдіреді.

Жұмыс аймағындағы қауіпсіздік

1. **Жұмыс аймағы таза әрі жарық болуы керек.** Лас немесе қараңғы аймақтарда жазатайым оқиғалар туындауы мүмкін.
2. **Электрлік құралды айналасында тез тұтанатын сұйықтық, газ немесе шаң сияқты заттардан тұратын жарылыс қаупі бар орталарда пайдаланбаңыз.** Электрлік құралдар шаң немесе газды тұтандыратын электр ұшқындарын шығарады.
3. **Электрлік құралды пайдаланған кезде, балалар және бөгде адамдар алшақ жүруі керек.** Басқа нәрсеге алаңдасаңыз, құралға ие бола алмай қалуыңыз мүмкін.

Электрлік қауіпсіздік

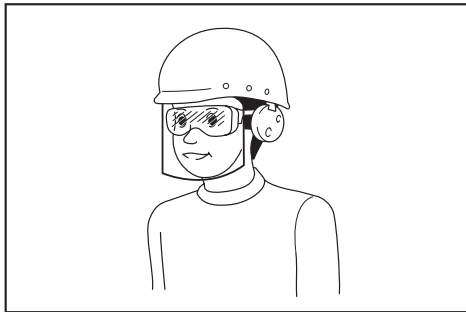
1. **Электрлік құралдың ашасы розеткаға сәйкес келуі керек.** Ашаны ешбір жағдайда өзгертпеңіз. Адаптер ашаларын жерге тұйықталған электрлік құралдармен пайдаланбаңыз. Өзгертілмеген ашалар мен сәйкес келетін розеткалар электр тогының соғу қаупін азайтады.
2. **Түтіктер, радиаторлар, жылу батареялары және тоңазытқыштар сияқты жерге тұйықталған бұйымдарды ұстамаңыз.** Егер денеңіз жерге тұйықталатын болса, ток соғу қаупі жоғары болады.
3. **Электрлік құралдарды жаңбырдың астына немесе ылғалды жерлерге қоймаңыз.** Электрлік құралға су кіретін болса, ток соғу қаупі артады.
4. **Қуат сымын дұрыс пайдаланыңыз.** Электрлік құралды тасу, тарту немесе қуат көзінен ажырату үшін қуат сымын пайдалануға болмайды. Қуат сымына ыстық зат, май, өткір жиек немесе қозғалмалы бөлшектер тимеуі керек. Зақымдалған немесе оралған қуат сымдары ток соғу қаупін арттырады.

5. **Электрлік құралды сыртта пайдаланғанда, сыртта қолдануға жарамды ұзартқышты қолданыңыз.** Сыртта қолдануға жарамды шнурды пайдалану ток соғу қаупін азайтады.
6. **Егер электрлік құралды ылғалды жерде пайдалану керек болса, қорғаныстық ажырату құрылғысын (RCD) пайдаланыңыз.** Қорғаныстық ажырату құрылғысын пайдалану ток соғу қаупін азайтады.
7. **Электрлік құралдар электрмагниттік өрістер шығарады, ол пайдаланушыға қауіпті емес.** Дегенмен электрокардиостимулятор және соған ұқсас басқа медициналық құрылғылардың пайдаланушылары электрлік құралды пайдаланбас бұрын, өндірушімен және/немесе дәрігермен кеңесуі керек.

Жеке қауіпсіздік

1. **Электрлік құралды пайдаланған кезде, жапа жатқан жұмысыңызға қырағылық танытып, мұқият болыңыз.** Шаршағанда немесе есірткі, алкоголь немесе дәрі-дәрмектің әсерінде болған кезде электрлік құралды пайдаланбаңыз. Электрлік құралды пайдалану кезінде сәл ғана аңсыздық таныту ауыр жарақатқа әкелуі мүмкін.
2. **Жеке қорғаныс құралдарын пайдаланыңыз.** Міндетті түрде қорғаныс көзіңдірігін тағыңыз. Шаңнан қорғайтын маска, сырғанамайтын қорғаныс аяқ киімі, каска немесе құлаққап сияқты қорғаныс жабдықтарын тиісті жағдайларда қолдану жарақаттануды азайтады.
3. **Кездейсоқ іске қосудың алдын алыңыз.** Құралды қуат көзіне және/немесе аккумулятор блогына қоспас бұрын, оны жинап немесе тасымалдамас бұрын, ауыстырып-қосқыш өшірулі күйде екеніне көз жеткізіңіз. Саусақ электрлік құралдың ауыстырып-қосқышында тұрған кезде оны тасымалдау немесе ауыстырып-қосқышы қосулы электрлік құралды қуат көзіне қосу жазатайым оқиғаға әкелуі мүмкін.
4. **Электрлік құралды қоспас бұрын, реттегіш немесе сомынды бұрайтын кілттерді алып тастаңыз.** Электрлік құралдың айналымды бөлігінде реттегіш немесе сомынды бұрайтын кілт бекітулі қалса, жарақаттануы мүмкін.
5. **Тым артық күш салмаңыз.** Әрдайым тұрақты және тепе-теңдік сақтайтын күйде болыңыз. Бұл күтпеген жағдайда электрлік құралды жақсы басқаруға мүмкіндік береді.
6. **Жұмысқа сай киініңіз.** Бос киім кимеңіз және әшекей тақпаңыз. Шашыңызды және киіміңізді қозғалмалы бөлшектерден алшақ ұстаңыз. Бос киім, әшекейлер немесе ұзын шаш қозғалмалы бөлшектерге ілініп қалуы мүмкін.
7. **Шаң тұту және жинау құрылғылары қамтамасыз етілген болса, олардың қосулы екендігіне және дұрыс қолданылып жатқанына көз жеткізіңіз.** Шаң жинау құрылғысын пайдалану шаңмен байланысты қауіпті азайтуы мүмкін.
8. **Құралды жиі пайдалану нәтижесінде босасып, қауіпсіздік қағидаларын елеусіз қалдырмаңыз.** Салғырттық таныту бір мезетте ауыр жарақатқа әкелуі мүмкін.

9. **Электрлік құралды пайдаланған кезде көзіңізді жарақаттап алмау үшін міндетті түрде қорғаныс көзілдірігін тағыңыз. Қорғаныс көзілдіріктері АҚШ-та ANSI Z87.1, Еуропада EN 166 немесе Австралияда/ Жаңа Зеландияда AS/NZS 1336 қауіпсіздік стандарттарымен сәйкес келуі керек. Австралияда/Жаңа Зеландияда бетіңізді қорғау үшін қорғаныс маскасын кию заң негізінде талап етіледі.**



Құрал пайдаланушылары мен жұмыс аймағындағы басқа да тұлғалардың тиісті қауіпсіздік қорғаныс жабдықтарын пайдалануын қамтамасыз ету жұмыс берушінің жауапкершілігінде.

Электрлік құралды пайдалану және күтім жасау

- Электрлік құралға артық күш түсірмеңіз. Орындалатын жұмысқа сәйкес келетін электрлік құралды пайдаланыңыз. Дұрыс таңдалған электрлік құрал өзіне жүктелген жұмысты жақсы және қауіпсіз істейді.**
 - Ауыстырып-қосқышы ақаулы электрлік құралды пайдаланбаңыз. Ауыстырып-қосқышы ақаулы кез келген электрлік құрал қауіп төндіреді және оны жөндеу керек.**
 - Кез келген реттеулер жасамас бұрын, керек-жарақтарды ауыстырмас бұрын немесе электрлік құралдарды уақытқа сақтамас бұрын, ашаны қуат көзін ажыратыңыз және/немесе аккумулятор блогы бар болса, оны шығарып алыңыз. Осындай алдын алу шаралары электрлік құралдың кездейсоқ іске қосылу қаупін азайтады.**
 - Электрлік құралдарды балалардың қолы жетпейтін жерде сақтаңыз, сонымен қатар электрлік құралмен жұмыс істей алмайтын және осы нұсқауларды оқымаған тұлғаларға құралды пайдалануға рұқсат етпеңіз. Арнайы оқытудан өтпеген пайдаланушылар үшін электрлік құрал қауіп төндіреді.**
 - Электр құралдарына және керек-жарақтарға техникалық қызмет көрсетіңіз. Қозғалмалы бөлшектердің ауытқуы және оралуы, зақымдалған бөлшектер және электрлік құралдың жұмысына кері әсер ететін басқа жағдайлардың бар-жоғын тексеріңіз. Зақымы болса, электрлік құралды жөндеген соң бірақ пайдаланыңыз. Жазатайым оқиғалардың көбі электрлік құралдарға дұрыс техникалық қызмет көрсетілмеу себебінен болады.**
- Кесу құралдары өткір және таза болуы керек. Кескіш жиектері өткір кесу құралдарын дұрыс пайдалансаңыз, олар тұрып қалмайды және басқаруға оңай.**
 - Электрлік құралды, керек-жарақтарды және қондырмаларды, т.б. жұмыс жағдайы мен орындалатын жұмысты ескере отырып, осы нұсқауларға сәйкес пайдаланыңыз. Электрлік құралды басқа мақсатта пайдаланған жағдайда, қауіпті жағдай туындауы мүмкін.**
 - Тұтқалардың және жұмыс орындалатын беттердің құрғақ, таза және майлы болмауын қамтамасыз етіңіз. Тұтқалар және қолмен ұстайтын беттер тайпақ болса, күтпеген жағдай орын алғанда, құралды пайдалану және оған ие болу мүмкін болмайды.**
 - Электрлік құралды пайдаланған кезде, ішіне тартылу матадан жасалған қорғаныс қолғабын кимеңіз. Матадан жасалған қорғаныс қолғаптары қозғалмалы бөлшектерге ілініп қалса, жарақаттауы мүмкін.**
- Аккумулятормен жұмыс істейтін құралды пайдалану және күтім жасау**
- Тек өндіруші көрсеткен зарядтау құрылғысымен зарядтаңыз. Бір аккумулятор блогына сәйкес келетін зарядтау құрылғысын басқа аккумулятор блогымен пайдалану өрт қаупін тудыруы мүмкін.**
 - Электрлік құралдарды тек көрсетілген аккумулятор блоктарымен пайдаланыңыз. Кез келген басқа аккумулятор блоктарын пайдалану жарақат алу мен өрт шығу қаупін тудыруы мүмкін.**
 - Аккумулятор блогын пайдаланбаған кезде, оны қағаз қыстырғыштар, тиындар, кілттер, шегелер, бұрандалар сияқты металл заттар мен бір клеммадан екіншісіне қосылыс жасау мүмкін басқа шағын металл заттардан аулақ ұстаңыз. Аккумулятор клеммаларының қысқа тұйықталуы күйік шалуға немесе өртке әкеп соғуы мүмкін.**
 - Дұрыс пайдаланбаған кезде аккумулятордан сұйықтық ағуы мүмкін; оған тимеуге тырысыңыз. Егер абайсызда тиіп кетсеңіз, сумен шайыңыз. Егер сұйықтық көзге тиген болса, медициналық көмекке жүгініңіз. Аккумулятордан шыққан сұйықтық тітіркену немесе күйікке себеп болуы мүмкін.**
 - Зақымдалған немесе өзгертілген аккумулятор блогын пайдаланбаңыз. Зақымдалған немесе өзгертілген аккумуляторлардан нәтижесінде өрт, жарылыс немесе жарақат алу қаупіне әкелетін күтпеген жағдайлар туындауы мүмкін.**
 - Аккумулятор блогын немесе құралды от немесе шамадан тыс жоғары температура шығаратын заттың жанына қоймаңыз. Отқа түссе немесе температура 130 °C-тан жоғары болса, жарылуы мүмкін.**
 - Зарядтауға қатысты нұсқаулардың барлығын орындаңыз және аккумулятор блогын немесе құралды нұсқауларда көрсетілген температура ауқымынан тыс зарядтамаңыз. Дұрыс зарядтамаласа немесе көрсетілген ауқымнан тыс температурада зарядталса, аккумулятор зақымдалуы және өрт шығу қаупі артуы мүмкін.**

Қызмет көрсету

1. **Электрлік құралға қызмет көрсетуді тек қаа жөндеу бойынша білікті аман тиісті қосалқы бөлшектерді пайдаланып жүзеге асыруы қажет.** Бұл электрлік құралдың қауіпсіздігін қамтамасыз етеді.
2. **Зақымдалған аккумулятор блоктарына қызмет көрсетуге болмайды.** Аккумулятор блоктарына қызмет көрсетуді өндіруші немесе өкілетті қызмет маманы орындауы тиіс.
3. **Керек-жарақтарды майлау және ауыстыру нұсқауын орындаңыз.**

Аккумуляторлы шынжырлы арамн жұмыс істеген кездегі жалпы қауіпсіздік техникасы бойынша ескертулер

1. **Аккумуляторлы шынжырлы ара істен тұрғанда, денеңіздің ешбір бөлігін ара шынжырына жақындатпаңыз.** Аккумуляторлы шынжырлы араны іске қоспай тұрып, ара шынжыры ешнәрсеге тиіп тұрмағанына көз жеткізіңіз. Аккумуляторлы шынжырлы араны пайдаланғанда көңіліңіз бір сәт ауып кетсе, киіміңіз немесе денеңіз ара шынжырына ілініп кетуі мүмкін.
2. **Аккумуляторлы шынжырлы араның артқы сабын міндетті түрде бір қолмен, ал көмекші сабын екінші қолмен ұстаңыз.**
3. **Аккумуляторлы шынжырлы араны ұстауға арналған оқшауланған беттерінен ғана ұстаңыз, себебі ара шынжыры жасырылып тұрған сымға тиіп кетуі мүмкін.** Ара шынжырлары кернеулі сымға тиіп кетсе, аккумуляторлы шынжырлы араның ашық металл бөлшектерінде кернеу пайда болып, нәтижесінде пайдаланушыны ток соғуы мүмкін.
4. **Қорғаныс көзілдірігін тағыңыз. Құлаққа, басқа, қолға, аяққа және табанға арналған қосымша қорғаныс құралдарын қолдану ұсынылады.** Тиісті жабдығы ұшатын сынықтардан жарақат алу немесе ара шынжыры кенет тиіп кету қаупін азайтады.
5. **Аккумуляторлы шынжырлы араны ағашқа, баспалдаққа, шатырға шығып немесе тұрақсыз жерлерде тұрып пайдалануға болмайды.** Аккумуляторлы шынжырлы араны осылай пайдалансаңыз, ауыр жарақат алуыңыз мүмкін.
6. **Аккумуляторлы шынжырлы араны міндетті түрде аяққа нық тұрып және тұрақты, қауіпсіз және түзу бетте тұрып қана пайдаланыңыз.** Тайғақ немесе тұрақсыз беттердің салдарынан тепе-теңдікті сақтай алмай құлауыңыз немесе аккумуляторлы шынжырлы араға ие бола алмай қалуыңыз мүмкін.
7. **Керіліп тұрған бұтаны кескен кезде, оның кері серпілуінен сақ болыңыз.** Керілген ағаш талшықтары босаған кезде, бұта операторға қарай серпіліп тиюі және/немесе аккумуляторлы шынжырлы араны қолдан шығарып жіберуі мүмкін.
8. **Ағаш бұталары мен жас ағаштарды кескен кезде аса мұқият болыңыз.** Жіңішке материал ара шынжырын іліп кетуі және сізге тиіп кетуі немесе тепе-теңдікті жоғалтуға әкелуі мүмкін.
9. **Аккумуляторлы шынжырлы араны өшірілген күйде және денеге тигізбей ұстаңыз.** Аккумуляторлы шынжырлы араны тасығанда немесе сақтағанда, ара шинасы жабынын міндетті түрде орнатыңыз. Аккумуляторлы шынжырлы араны дұрыс қолдансаңыз, қозғалмалы ара шынжырына абайсызда тиіп кету мүмкіндігі азаяды.
10. **Білік пен шынжырды майлау, ауыстыру және шынжырды керу нұсқауларын орындаңыз.** Тиісті түрде керілмеген немесе майланбаған шынжыр сынып кетуі немесе кері соққы қаупін арттыруы мүмкін.
11. **Тек ағашты кесіңіз.** Аккумуляторлы шынжырлы араны басқа мақсаттарда пайдалануға болмайды. Мысалы, аккумуляторлы шынжырлы арамн металл, пластик, тас немесе ағаштан жасалмаған құрылыс материалдарын кесуге болмайды. Аккумуляторлы шынжырлы араны басқа мақсатта пайдалану салдарынан қауіпті жағдай туындауы мүмкін.
12. **Осы аккумуляторлы шынжырлы ара ағашты кесіп құлатуға арналмаған.** Аккумуляторлы шынжырлы араны басқа мақсатта пайдалану салдарынан пайдаланушы немесе айналадағы адамдар қауіпті жағдайға ұшырауы мүмкін.
13. **Тұрып қалған материалды тазалаған, аккумуляторлы шынжырлы араны сақтаған немесе күтімін жасаған кезде, барлық нұсқауды орындаңыз.** Ауыстырғыштың өшіп тұрғанына және аккумулятор блогының алынғанына көз жеткізіңіз.
14. **Кері соққының себептері мен оны оператордың алдын алуы:**
Ара шинасының тұмсығы немесе ұшы затқа тигенде немесе ағаштың кесілген жері қабысып, ара шынжырын қысып қалғанда, кері соққы орын алуы мүмкін.
Кей жағдайда ара ұшы бір нәрсеге тигенде, күтпеген кері реакция пайда болып, ара шинасы жоғары және операторға қарай қайта серпілуі мүмкін.
Ара шынжыры бағыттауыш шинаның үстіңгі жағында қысылып қалса, шина операторға қарай жылдам серпілуі мүмкін.
Осы реакциялардың кез келгені орын алса, араға ие бола алмай қалып, ауыр жарақат алуыңыз мүмкін. Араға орнатылған қауіпсіздік құрылғыларына ғана сенім артуға болмайды. Аккумуляторлы шынжырлы араның пайдаланушысыңыз, сондықтан аралау жұмыстарын орындаған кезде жазатайым оқиғаның немесе жарақаттардың алдын алатын бірнеше шара қолдануыңыз тиіс.
Кері серпіліс аккумуляторлы шынжырлы араны қате пайдалану және/немесе қате жұмыс процедуралары не шарттары салдарынан пайда болады. Төмендегі сақтық шаралары сақталғанда, бұл жағдайлардың алдын алуға болады:

- **Аккумуляторлы шынжырлы араға екі қоңызды қойып, мықтап ұстаңыз, оның саптарын саусақтармен қапсыра қысыңыз және дене мен қолды кері серпілу күшіне қарсы тұра алатындай етіп орналастырыңыз.** Тиісті сақтық шаралары қолданылса, пайдаланушы кері серпілу күштерін басқара алады. Аккумуляторлы шынжырлы араны қоңыздан шығармаңыз.

► Сурет1

- **Араны қол созып істейтіндей пайдалануға болмайды және ықтан жоғары тұрған ағашты кесуге болмайды.** Бұл ұшының байқаусызда тиіп кетуінің алдын алуға көмектеседі және күтпеген жағдайларда аккумуляторлы шынжырлы араны жақсырақ басқаруға мүмкіндік береді.
 - **Тек өндіруші көрсеткен қосалқы бағыттауыш біліктер мен ара шынжырлы пайдаланыңыз.** Қосалқы бағыттауыш біліктер мен ара шынжырлы дұрыс салмаған жағдайда, шынжырдың үзілуіне және/немесе кері соққыға әкелуі мүмкін.
 - **Шынжырлы араға арналған қайрау және техникалық қызмет көрсету жөніндегі өндіруші нұсқауларын орындаңыз.** Тереңдік өлшегіш биіктігінің төмендеуі кері соққы қаупінің артуына әкелуі мүмкін.
15. **Тұрып қалған материалды тазалаған, аккумуляторлы шынжырлы араны сақтаған немесе күтімін жасаған кезде, барлық нұсқауды орындаңыз.** Ауыстырғыштың өшіп тұрғанына және аккумулятор блогының алынғанына көз жеткізіңіз.

Қауіпсіздікке қатысты қосымша нұсқаулар

Жеке қорғаныс жабдығы

1. Киім жабысып тұруы керек, бірақ қозғалысқа кедергі келтірмеуі қажет.
2. Жұмыс барысында келесі қорғаныс киімін киіңіз:
 - Егер құлайтын бұтақтар немесе ұқсас заттар қауіп төндірсе, сыналған қауіпсіздік дулығасын киіңіз;
 - Бетперде немесе көзілдірік;
 - Үйлесімді құлақ қорғанысы (құлақпақтар, теңшелетін немесе қалыптасатын құлақсаптар). Сұрау бойынша Octave брендінің талдауы.
 - Қатты былғарыдан тігілген қауіпсіздік қолғаптары;
 - Ұзын шалбар күшті матадан тігілген;
 - Кесуге төзімді матадан тігілген қорғаныс комбинезоны;
 - Сырғымайтын табандары, болаттан жасалған шұлықтары және кесуге төзімді маталы төсемесі бар қауіпсіздік аяқ-киімдері немесе бөтеңкелері;
 - Шаң (мысалы, құрғақ ағашты кесу) шығаратын жұмысты орындаған кезде қажет тыныс алу бетпердесі.

Пайдалану

1. **Жұмысты бастамай тұрып, құрал дұрыс жұмыс істеп тұрғанын және оның жағдайы қауіпсіздік техникасы туралы ережелерге сәйкес келетінін тексеріңіз.** Әсіресе төмендегілерді тексеріңіз:
 - Инерциялы тежегіш дұрыс жұмыс істейді;
 - Білік пен тісті барабан қақпағы дұрыс орнатылған;
 - Шынжыр ережелерге сәйкес қайралған және керілген.
2. **Шынжыр жабыны орнатылып жатқан құралды іске қосуға болмайды.** Шынжыр жабыны орнатылып жатқан құралды іске қоссаңыз, шынжыр жабыны алға қарай ұшып кетіп, адамды жарақаттауы және пайдаланушының айналасындағы заттарды зақымдауы мүмкін.
3. **Кесіліп жатқан бұтақтың дәл астында тұруға болмайды.** Құлаған бұтақтардан сақтаныңыз.
4. **Құралды нашар ауа райында немесе найзағай тию қаупі бар болған жағдайда пайдаланбаңыз.**
5. **Құралды лайлы жерде, ылғалды көлбеуде немесе тайғақ жерде пайдаланған кезде тұрған жеріңізге назар аударыңыз.**

Электр жүйесіне және аккумуляторға қатысты қауіпсіздік

1. **Қауіпті ортада жұмыс істемеңіз.** Құралды дымқыл немесе ылғалды жерлерде пайдаланбаңыз немесе жаңбыр астында қалдырмаңыз. Құралға су енетін болса, ток соғу қаупі артады.
2. **Аккумулятор(лар)ды отқа тастамаңыз.** Элементі жарылуы мүмкін. Көдеге жарату бойынша арнайы ықтимал нұсқауларды жергілікті нормалардан қараңыз.
3. **Аккумулятор(лар)ды ашпалңыз немесе бүлдірмеңіз.** Құрамындағы электролит өте улы және кез немесе теріні зақымдауы мүмкін. Жұтып қойған жағдайда улы болуы мүмкін.
4. **Аккумуляторды жаңбыр астында немесе ылғалды жерлерде зарядтамаңыз.**
5. **Аккумулятор картриджін сыртта зарядтамаңыз.**
6. **Зарядтау ашасымен және клеммаларымен қоса зарядтау құрылғысын дымқыл қолмен ұстамаңыз.**
7. **Аккумуляторды су қолмен ауыстыруға болмайды.**
8. **Аккумуляторды жаңбырда қалдыруға, ылғалды немесе дымқыл жерде зарядтауға, пайдалануға немесе сақтауға болмайды.**
9. **Аккумулятор клеммасын су сияқты сұйықтықпен сулауға немесе аккумуляторды сұйықтыққа батыруға болмайды.** Егер клеммасына су тисе немесе аккумулятор ішіне су кіріп кетсе, аккумулятор қысқа тұйықталуы мүмкін және қызып кету, өрт немесе жарылыс қаупі туындауы мүмкін.
10. **Аккумуляторды машинадан немесе зарядтау құрылғысынан алғаннан кейін, аккумулятор қақпағын міндетті түрде бекітіңіз және оны құрғақ жерде сақтаңыз.**

11. Егер аккумулятор картриджіне су кіріп кетсе, ішіндегі суды төгіп, құрғақ шүберекпен сүртіңіз. Пайдалану алдында аккумулятор картриджін құрғақ жерде толық кептіріңіз.

ОСЫ НҰСҚАУЛАРДЫ САҚТАҢЫЗ.

▲ЕСКЕРТУ: Өнімді қайта пайдалану барысында САЛҒЫРТТЫҚ ТАҢЫТПАЙ, қауіпсіздік ережелерін ұстаныңыз. Осы пайдалану жөніндегі нұсқаулықта келтірілген қауіпсіздік ережелерін ДҰРЫС ПАЙДАЛАНБАУ немесе орындамау ауыр жарақаттарға әкеп соқтыруы мүмкін.

Аккумулятор картриджіне арналған маңызды қауіпсіздік нұсқаулары

1. Аккумулятор картриджін пайдаланбас бұрын, (1) аккумулятордың зарядтау құрылғысындағы, (2) аккумулятордағы және (3) аккумуляторды пайдаланатын өнімдегі барлық нұсқаулар мен ескерту білгілерін оқып шығыңыз.
2. Аккумулятор картриджін бөлшектемеңіз немесе өз бетіңізше ашып жөндемеңіз. Ол өрт, шамадан тыс қызу немесе жарылу жағдайларына алып келуі мүмкін.
3. Егер аккумулятор картриджінің пайдалану уақыты бірталай қысқарған болса, пайдалануды дереу тоқтатыңыз. Бұл қызып кету, ықтимал күйіктер немесе тіпті жарылыс қаупін тудыруы мүмкін.
4. Егер электролит көзіңізге тиген болса, көзіңізді таза сумен шайыңыз және дереу медициналық көмекке жүгініңіз. Бұл көру қабілетінен айырылуға әкеп соқтыруы мүмкін.
5. Аккумулятор картриджінің жалғасуларын бір бірімен матастырмаңыз:
 - (1) Клеммаларды кез келген ток өткізгіш материалдарға тигізбеңіз.
 - (2) Аккумулятор картриджін ішінде шегелер, тиындар, т.б. басқа металл заттары бар контейнерде сақтамаңыз.
 - (3) Аккумулятор блогын суға салмаңыз немесе жаңбыр астында қалдырмаңыз.Аккумулятор түйіспелерінің тұйықталуы үлкен ток ағынының пайда болуына, қызып кетуге, ықтимал күйіктерге және тіпті бұзылуға себеп болуы мүмкін.
6. Құралды және аккумулятор блогын температурасы 50 °C-ден (122 °F) шамасынан асатын жерлерде сақтамаңыз және пайдаланбаңыз.
7. Аккумулятор блогы қатты зақымдалған немесе толығымен тозған болса да, оны отқа жақпаңыз. Аккумулятор блогы отта жарылып кетуі мүмкін.
8. Аккумулятор картриджін шегелеуге, кесуге, басуға, лақтыруға, құлатуға немесе оны қатты затпен соғуға болмайды. Бұл әрекеттер өрт, шамадан тыс қызу немесе жарылу жағдайларына алып келуі мүмкін.

9. Зақымдалған аккумуляторды пайдаланбаңыз.

10. Жинаққа кіретін литий-ионды аккумуляторлар денсаулыққа және қоршаған ортаға зиянды заттар заңнамасы талаптарына сәйкес қарастырылады. Коммерциялық тасымалдау үшін, мысалы, үшінші тараптар, экспедиторлар үшін қаптамада және таңбалауда арнайы талаптар сақталуы тиіс. Жіберілетін өнімді дайындау үшін қауіпті заттар бойынша сарапшы маманнан кеңесу керек. Сонымен қатар ұлттық ережелерді де толық қарап шығыңыз. Ашық түйіспелерді жауып, аккумуляторды қаптамаға қозғалмайтындай етіп орналастырыңыз.
11. Аккумулятор картриджін көдеге жаратқан кезде оны құралдан шығарып алып, қауіпсіз жерде көдеге жаратыңыз. Аккумуляторды көдеге жаратуға қатысты жергілікті ережелерді орындаңыз.
12. Аккумуляторларды тек Makita компаниясы көрсеткен өнімдермен бірге пайдаланыңыз. Аккумуляторларды үйлесімді емес өнімдерге орнату өртке, қызып кетуге, жарылысқа немесе электролит ағуына әкеп соқтыруы мүмкін.
13. Егер құрал ұзақ уақыт бойы пайдаланылмайтын болса, құралдағы аккумуляторды алып тастау керек.
14. Аккумулятор картриджін пайдалану кезінде және пайдаланғаннан кейін, ол қызып, күйікке немесе төмен температуралы күйікке әкелуі мүмкін. Ыстық аккумулятор картриджімен жұмыс істегенде сақ болыңыз.
15. Құралдың клеммасын пайдаланғаннан кейін, оны бірден ұстамаңыз, ол күйге себеп болатындай ыстық болуы мүмкін.
16. Аккумулятор картриджінің клеммаларына, саңылауларына және ойықтарына жоңқа, шаң немесе кірдің тұрып қалуын болдырмаңыз. Бұл құралдың қызуына, тұтануына, жарылуына және батарея картриджінің істен шығуына әкеліп, күйік немесе жарақат алуға себеп болуы мүмкін.
17. Егер құрал жоғары вольтты электрлік қуат желілері жанында пайдалануға жарамды болмаса, аккумуляторлық картриджді жоғары вольтты электрлік қуат желілері жанында пайдаланбаңыз. Бұл құралдың немесе аккумулятор картриджінің істен шығуына немесе сынуына алып келуі мүмкін.
18. Аккумуляторды балалардан аулақ ұстаңыз.

ОСЫ НҰСҚАУЛАРДЫ САҚТАҢЫЗ.

▲САҚ БОЛЫҢЫЗ: Тек түпнұсқа Makita аккумуляторларын пайдаланыңыз. Түпнұсқа емес Makita аккумуляторларын немесе өзгертілген аккумуляторларды пайдалану нәтижесінде өрт, жарақат алу немесе зақымдалуға себеп болатын аккумулятор жарылуына әкелуі мүмкін. Ол сондай-ақ Makita құралы мен зарядтау құрылғысы үшін Makita кепілдігінің күшін жояды.

Аккумулятордың максималды қызмет ету мерзімін сақтау бойынша кеңестер

1. Аккумулятор картриджін қуаты толығымен таусылмас бұрын зарядтаңыз. Электр құралының қуаты аз екендігін байқаған кезде, құрал жұмысын тоқтатып, аккумулятор картриджін зарядтаңыз.

2. Толығымен зарядталған аккумулятор картриджін ешқашан қайта зарядтамаңыз. Артық зарядтау аккумулятордың қызмет ету мерзімін қысқартады.
3. Аккумулятор картриджін 10 °C – 40 °C (50 °F – 104 °F) бөлме температурасында зарядтаңыз. Зарядтамас бұрын аккумулятор картриджін суытыңыз.
4. Аккумулятор картриджін пайдаланбаған уақытта оны құралдан немесе зарядтау құрылғысынан алып тастаңыз.

БӨЛШЕКТЕР СИПАТТАМАСЫ

► Сурет2

1	Көмекші сап	2	Қауіпсіздік жабыны	3	Ара шынжыры
4	Ара шинасы	5	Май бағының қақпағы	6	Ара шинасының қынабы
7	Тісті барабан қақпағы	8	Блоктау тиегі	9	Артқы тұтқа
10	Ауыстырғыш шүріппе	11	Тетік	12	Аккумулятор картриджі

ФУНКЦИОНАЛДЫҚ СИПАТТАМАСЫ

▲САҚ БОЛЫҢЫЗ: Құралдың функциясын реттемес және тексермес бұрын, әрдайым құралдың өшірулі екендігіне және аккумулятор картриджінің алынғанына көз жеткізіңіз.

Аккумулятор картриджін орнату немесе алу

▲САҚ БОЛЫҢЫЗ: Аккумулятор картриджін орнатпас немесе алмас бұрын, әрдайым құралды өшіріңіз.

▲САҚ БОЛЫҢЫЗ: Аккумулятор картриджін орнатқан немесе алған кезде құралды және аккумулятор картриджін мықтап ұстаңыз. Құралды және аккумулятор картриджін мықтап ұстамау, олардың қолыңыздан сырғанап түсіп, нәтижесінде құралдың және аккумулятор картриджінің зақымдалуына және жарақат алуға әкеп соқтыруы мүмкін.

► Сурет3: 1. Қызыл индикатор 2. Түйме 3. Аккумулятор картриджі

Аккумулятор картриджін алу үшін картридждің алдыңғы жағындағы түймені сырғытып, оны құралдан сырғытып шығарып алыңыз.

Аккумулятор картриджін орнату үшін, аккумулятор картриджіндегі тілшені корпустағы ойықпен туралап, оны орнына сырғытып салыңыз. Сырт өткен дыбыс естілмейінше оны орнына итеріп салыңыз. Егер суретте көрсетілгендей қызыл индикатор көрінп тұрса, ол толығымен құлыпталмағанын білдіреді.

▲САҚ БОЛЫҢЫЗ: Аккумулятор картриджін әрдайым қызыл индикатор көрінбейтіндей етіп, толығымен орнатыңыз. Олай жасамаған жағдайда, ол құралдан кездейсоқ түсіп қалып, сізді немесе айналаңыздағы адамдарды жарақаттауы мүмкін.

▲САҚ БОЛЫҢЫЗ: Аккумулятор картриджін күштеп орнатпаңыз. Егер картридж жеңіл сырғымаса, демек ол дұрыс салынбаған.

Аккумулятордың қалған қуатын көрсету

Тек индикаторы бар аккумулятор картриджіне арналған.

► Сурет4: 1. Индикатор шамдары 2. Тексеру түймесі

Аккумулятордың қалған қуатын көрсету үшін аккумулятор картриджіндегі тексеру түймесін басыңыз. Индикатор шамдары бірнеше секунд жанып тұрады.

Индикатор шамдары		Қалған қуат
Жанып тұру	Өшірулі	
■ ■ ■ ■	□	75% - 100%
■ ■ ■ □	□	50% - 75%
■ ■ □ □	□	25% - 50%
■ □ □ □	□	0% - 25%

ЕСКЕРТПЕ: Қолдану жағдайларына және қоршаған ортаның температурасына қарай көрсеткіш нақты қуаттан біршама ерекшеленуі мүмкін.

Құралдың/аккумулятордың қорғаныс жүйесі

Құрал құралды/аккумуляторды қорғаныс жүйесімен жабдықталған. Бұл жүйе құрал мен аккумулятордың қызмет ету мерзімін ұзарту үшін қозғалтқыштың қуат көзін автоматты түрде өшіреді. Егер құрал немесе аккумулятор төмендегі жағдайлардың біреуіне тап болса, құрал жұмыс барысында автоматты түрде тоқтайды.

Шамадан тыс жүктеме:

Құрал тым жоғары ток шығаратын күйде жұмыс істеуде. Бұл жағдайда құралды өшіріңіз және құралдың шамадан тыс жүктелуіне себеп болған жұмысты тоқтатыңыз. Содан кейін қайта іске қосу үшін құралды қосыңыз.

Егер құрал іске қосылмаса, аккумулятордың қызып кеткендігін білдіреді. Бұл жағдайда құралды қайта қоспас бұрын аккумулятордың сууына мүмкіндік беріңіз.

Аккумулятордың төмен көрнеуі:

Аккумулятордың қалған қуаты өте төмен, сондықтан құрал жұмыс істемейді. Құралды қоссаңыз, қозғалтқыш қайтадан іске қосылады, бірақ көп ұзамай тоқтайды. Бұл жағдайда аккумуляторды шығарып алып, зарядтаңыз.

Ауыстырып-қосқыштың әрекеті

▲ ЕСКЕРТУ: Қауіпсіздігіңіз үшін бұл құралдың абайсызда іске қосылуына жол бермейтін блоктау тиегі бар. Блоктау тиегін баспай, ауыстырғыш шүріппені басқанда, ара іске қосылып кететін болса, ондай араны МҮЛДЕ пайдалануға болмайды. Әрі қарай қолдану АЛДЫНДА, құралды мақұлдаған сервистік орталығымызға қайтарып, тиісті түрде жөндетіңіз.

▲ ЕСКЕРТУ: Блоктау тиегін ЕШБІР ЖАҒДАЙДА жабысқақ таспамен орауға немесе оның мақсаты мен қызметін бұзуға болмайды.

▲ САҚ БОЛЫҢЫЗ: Аккумулятор картриджін құралға орнатпас бұрын, әрдайым ауыстырып-қосқыш шүріппесінің дұрыс жұмыс істеп тұрғанын және босатылған кезде “OFF” (ӨШІРУЛІ) күйіне оралатындығын тексеріңіз.

НАЗАР САЛЫҢЫЗ: Құлыптау тетігін баспай, ауыстырып-қосқыш шүріппесін қатты тартпаңыз. Бұл қосқыштың зақымдануына әкелуі мүмкін.

Блоктау тиегі ауыстырғыш шүріппенің абайсызда басылып қалуына жол бермейді. Құралды іске қосу үшін блоктау тиегін басып, ауыстырғыш шүріппені басыңыз. Тоқтату үшін ауыстырғыш шүріппені жіберіңіз.

- **Сурет5:** 1. Ауыстырып-қосқыш шүріппесі
2. Құлыптау тетігі

Инерциялы тежегішті тексеру

▲ САҚ БОЛЫҢЫЗ: осы сынақта ара шынжыры екі секунд ішінде тоқтамаса, құралды пайдалануды тоқтатыңыз және өкілетті сервистік орталығымызға хабарласып ақылдасыңыз.

Құралды іске қосыңыз, содан кейін ауыстырғыш шүріппені толықтай жіберіңіз. Ара шынжыры бірнеше секунд ішінде тоқтауы қажет.

ҚҰРАСТЫРУ

▲ САҚ БОЛЫҢЫЗ: Құралмен кез келген жұмыс істемес бұрын, әрдайым құралдың өшірулі екендігіне және аккумулятор картриджінің алынғанына көз жеткізіңіз.

▲ САҚ БОЛЫҢЫЗ: Ара шынжырын жалаңаш қолмен ұстауға болмайды. Ара шынжырымен жұмыс істеген кезде, әрдайым қорғаныс қолғабын киіңіз.

Ара шынжырын шешу немесе орнату

▲ САҚ БОЛЫҢЫЗ: Жұмыс істеп бола салысымен, ара шынжыры мен шинасы ыстық болады. Құралда кез келген жұмысты орындамай тұрып, оларды суытып алыңыз.

▲ САҚ БОЛЫҢЫЗ: ара шынжырын орнату немесе алып тастау процедурасын жоңқа секілді заттардан таза жерде орындаңыз.

Ара шынжырын шешіп алу

Ара шынжырын алып тастау үшін келесі қадамдарды орындаңыз:

1. Тиекті жоғары тартыңыз.
► **Сурет6:** 1. Тетік
2. Тісті атанақ қақпағын шыққанша иініректі сағат тіліне қарсы бұраңыз.
► **Сурет7:** 1. Тісті дөңгелек жабыны 2. Тетік
3. Құрал корпусынан тісті дөңгелек жабынын, содан кейін ара шынжырын және ара шинасын шешіп алыңыз.

Ара шынжырын орнату

Ара шынжырын орнату үшін келесі қадамдарды орындаңыз:

1. Тиекті жоғары тартыңыз.
► **Сурет8:** 1. Тетік
2. Тісті атанақ қақпағын шыққанша иініректі сағат тіліне қарсы бұраңыз.
► **Сурет9:** 1. Тетік 2. Тісті барабан қақпағы
3. Тісті барабан қақпағын шешіп алыңыз.

4. Ара шинасындағы тесікті құрал корпусындағы істікке туралап келтіріңіз, содан кейін ара шинасын суретте көрсетілгендей орналастырыңыз.

► **Сурет10:** 1. Ара шинасы 2. Тесік 3. Істік

5. Істікті бекіту үшін ара шинасын тісті дөңгелекке қарай сырғытыңыз.

► **Сурет11:** 1. Ара шинасы 2. Істік

6. Ара шинасын құрал корпусынан шешіп алыңыз.

7. Ара шынжырының бағытын тексеріңіз. Ара шынжырының бағыты мен құрал корпусындағы белгіше бір-біріне сәйкес болуы тиіс.

► **Сурет12:** 1. Құрал корпусындағы белгі

8. Ара шынжырының бір ұшын бағыттауыш біліктің үстіне орнатыңыз.

9. Ара шынжырының екінші ұшын тісті дөңгелекке айналдырып орнатыңыз, содан кейін ара шинасындағы тесікті корпусындағы істікке туралап, ара шинасын құрал корпусына бекітіңіз.

► **Сурет13:** 1. Тісті барабан

Істікті босату үшін ара шинасын құрал корпусына басыңыз. Ара шынжырының керілісі автоматты түрде реттеледі.

► **Сурет14:** 1. Ара шынжыры 2. Істік 3. Тісті барабан

10. Тісті дөңгелек жабынын құрал корпусындағы болт пен істік тісті дөңгелек жабынындағы аналогтеріне сәйкес болатындай орналастырыңыз.

► **Сурет15:** 1. Тісті барабан қақпағы 2. Болт 3. Істік

11. Тісті атанақ қақпағы бекітілгенше иінтүректі сағат тілімен бұрап, одан кейін оны бастапқы орнына қайтарыңыз.

► **Сурет16:** 1. Тетік 2. Тісті барабан қақпағы

Ара шынжырының босап тұрмағанына және ара шынжыры алға-артқа кедергісіз қозғалатынына көз жеткізіңіз. Қажет болса, ара шынжырының керілісін реттеу бөлімін қарап ара шынжырының керілісін реттеңіз.

Ара шынжырының керілісін реттеу

▲ **САҚ БОЛЫҢЫЗ:** тым бос тұрған шынжыр шинадан жығып кетіп, адамды жарақаттауы немесе жазатайым оқиға орын алуы мүмкін.

Ара шынжыры бірнеше сағат пайдаланғаннан кейін босап кетуі мүмкін. Пайдаланбас бұрын ара шынжырының керілісін арасында тексеріп тұрыңыз.

Ара шынжыры бос болса, оның керілісін реттеңіз.

1. Тиекті жоғары тартыңыз.

► **Сурет17:** 1. Тетік

2. Тісті дөңгелек жабынын сәл босату үшін тиекті сағат тілінің жүрісіне қарсы бағытта сәл бұраңыз. Шынжырдың керілісі автоматты түрде реттеледі.

► **Сурет18:** 1. Тісті дөңгелек жабыны 2. Тетік

3. Тісті атанақ қақпағы бекітілгенше иінтүректі сағат тілімен бұрап, одан кейін оны бастапқы орнына қайтарыңыз.

► **Сурет19:** 1. Тетік 2. Тісті барабан қақпағы

ПАЙДАЛАНУ

Майлау

▲ **САҚ БОЛЫҢЫЗ:** бағы бос болған құралды пайдаланбаңыз. Бак босамай тұрып, майды дер кезінде құйып тұрыңыз.

▲ **САҚ БОЛЫҢЫЗ:** Майды төріге және көзге тигізбеңіз. Көзге тиссе, көз тітіркенеді. Көзге тиген жағдайда, тітіркенген кезді бірден таза сумен шайып, дәрігерге қаралыңыз.

▲ **САҚ БОЛЫҢЫЗ:** Пайдаланылған майды ешбір жағдайда қолдануға болмайды. Пайдаланылған майда канцерогенді заттар бар. Пайдаланылған майдағы ластағыш заттар май сорғысын, шинаны және шынжырды тезірек тоздырады. Пайдаланылған май қоршаған ортаға зиянды.

НАЗАР САЛЫҢЫЗ: құралды алғаш рет пайдаланған кезде, ара шынжыры майының ара механизмін майлай бастауына екі минут қажет болуы мүмкін. Майланғанша, араны күш түсірмей істетіңіз.

НАЗАР САЛЫҢЫЗ: шынжыр майын ең алғаш толтырғанда немесе шан толығымен босағаннан кейін оны қайта толтырған кезде, майды толтырғыш мойнының төменгі жиегіне дейін құйыңыз. Әйтпесе майдың жеткізінді нашарлауы мүмкін.

НАЗАР САЛЫҢЫЗ: тек Makita құралдарына арналған ара шынжырының майын немесе сатылатын осыған тең майды пайдаланыңыз.

НАЗАР САЛЫҢЫЗ: Ешқашан шаң және бөлшектер немесе эфир майы қосылған майды пайдаланбаңыз.

НАЗАР САЛЫҢЫЗ: Ағаштарды кескен кезде, өсімдік майын пайдаланыңыз. Мұнайдан алынған май ағашқа зиян келтіруі мүмкін.

НАЗАР САЛЫҢЫЗ: кесу жұмысын бастау алдында, берілген май шанының қақпағы орнына бекітілгеніне көз жеткізіңіз.

Құралды пайдаланған кезде, ара шынжыры автоматты түрде майланады. Май шанындағы майдың мөлшерін мерзімді түрде майды тексеру терезесі арқылы тексеріңіз.

► **Сурет20:** 1. Майды тексеру терезесі 2. Май шанының қақпағы

Маймен толтыру үшін келесі қадамдарды орындаңыз:

1. Май ыдысына лайдың енуін болдырмас үшін, май құятын бак айналасындағы аймақты дұрыстап тазалаңыз.

2. Құралды бір жанына жатқызыңыз.

3. Май бағының қақпағындағы түймешікті екінші жағындағы түймешік көтерілетіндей етіп басыңыз да, май бағының қақпағын бұрап алыңыз.

► **Сурет21:** 1. Май шанының қақпағы 2. Бекіту 3. Босату

4. Май бағына май құйып толтырыңыз. Майдың тиісті мөлшері 55 мл құрайды.
5. Май құятын ыдысты орнына мықтап бұраңыз.
6. Бөлінген шынжыр майын мұқият сүртіңіз.

ЕСКЕРТПЕ: Май бағының қақпағын шешіп алу қиын болса, оның ойығына жалпақ бұрауыштың ұшын кіргізіп, содан кейін май бағының қақпағын сағат тілі жүрісіне қарсы бағытта бұрап шешіп алыңыз.

► **Сурет22:** 1. Науа 2. Жалпақ ұшты бұрауыш

Толтырып құйған соң, құралды кесілетін материалдан аулақ ұстаңыз. Оны іске қосыңыз және ара шынжыры жеткілікті түрде майланғанша күтіңіз.

► **Сурет23**

Құралмен жұмыс істеу

▲САҚ БОЛЫҢЫЗ: құрал істеп тұрған кезде, денеңіздің ешбір бөлігін ара шынжырына жақындатпаңыз.

▲САҚ БОЛЫҢЫЗ: істеп тұрған құралды екі қолмен мықтап ұстаңыз.

▲САҚ БОЛЫҢЫЗ: Тым артық күш салмаңыз. Әрдайым тұрақты және тепе-теңдік сақтайтын күйде болыңыз.

НАЗАР САЛЫҢЫЗ: Құралды ешқашан тастамаңыз немесе құлатпаңыз.

НАЗАР САЛЫҢЫЗ: Құрал желдеткіштерін жабуға болмайды.

Құралды іске қоспай тұрып, ара шинасының негізі мен құрал корпусының тірейтін бөлігін суретте көрсетілгендей кесілетін бұтаққа тигізіңіз. Бұтаққа құрал мен ара шинасын тигізіп тұрып, құралды іске қосыңыз және құралды бұтақ бойымен төмен жүргізіп бұтақты аралаңыз.

► **Сурет24**

▲САҚ БОЛЫҢЫЗ: кеспей тұрып, кесілетін бұтақтың ара шинасының негізі мен құрал корпусының тірейтін бөлігіне суретте көрсетілгендей тиіп тұрғанына көз жеткізіңіз. Өйтпесе, құрал ара шинасының ұшына қарай тартылып, ара шинасы тербеліп, адамды жарақаттауы мүмкін.

Құралды тасымалдау

Құралды тасымалдамай тұрып, құралдан міндетті түрде аккумулятор картриджін шығарып алу керек. Содан кейін ара шинасының жабынын тағыңыз. Бұған қоса, аккумулятор картриджін жабынымен жабу керек.

► **Сурет25:** 1. Бағыттауыш біліктің қақпағы
2. Аккумулятор қақпағы

ТЕХНИКАЛЫҚ ҚЫЗМЕТ КӨРСЕТУ

▲САҚ БОЛЫҢЫЗ: Тексеру немесе техникалық қызмет көрсету жұмыстарын жүргізуге әрекеттенбес бұрын, әрдайым құралдың өшірулі екендігіне және аккумулятор картриджінің алынғанына көз жеткізіңіз.

▲САҚ БОЛЫҢЫЗ: Көз келген тексеру немесе техникалық қызмет көрсету жұмыстарын орындаған кезде, әрқашан қолғап киіңіз.

НАЗАР САЛЫҢЫЗ: Жанармайды, бензинді, сұйылтқышты, спиртті немесе соған ұқсас заттарды ешқашан пайдаланбаңыз. Нәтижесінде түссіздену, бүліну немесе жарықтар пайда болуына әкелуі мүмкін.

Өнімнің ҚАУІПСІЗДІГІ мен СЕНІМДІЛІГІН қамтамасыз ету үшін, жөндеу жұмыстары, көз келген басқа техникалық қызмет көрсету немесе реттеу әрдайым Makita қосалқы бөлшектерін пайдалану арқылы Makita компаниясының өкілетті немесе зауыттық қызмет көрсету орталықтары тарапынан орындалуы керек.

Ара шынжырын қайрау

Ара жүзін қайраңыз:

- Дымқыл ағашты кесу кезінде ұнтақты жоңқалар пайда болса;
- Тіпті қатты басқан кезде де, шынжыр ағашқа әрең кірсе;
- Кесу жиегінің зақымдалуы айқын болса;
- Ара ағашқа кірген кезде солға немесе оңға тартса. (ара жүзінің біркелкі қайралмауынан немесе тек бір жағының зақымдалуынан туындайды)

Ара шынжырын жиі, бірақ әр жолы аз-аздан қайраңыз. Өдеттегі қайрау үшін әдетте екі немесе үш жүріс жеткілікті. Ара шынжыры бірнеше рет қайралған болса, оны біздің өкілетті қызмет көрсету орталығымызда қайраңыз.

Қайрау шарттары:

▲ЕСКЕРТУ: Кесу жиегі мен тереңдік өлшегіш арасындағы шамадан тыс қашықтық кері соққының пайда болу қаупін арттырады.

► **Сурет26:** 1. Кескіш ұзындығы 2. Кесу жиегі мен тереңдік өлшегіші арасындағы қашықтық 3. Минималды кескіш ұзындығы (3 мм)

- Барлық кескіштің ұзындығы бірдей болуы қажет. Әр түрлі кескіш ұзындықтары ара жүзінің бірқалыпты жұмыс істеуіне кедергі келтіреді және ара жүзінің сынуына әкелуі мүмкін.
- Кескіш ұзындығы 3 мм немесе одан қысқа болған кезде, шынжырды қайрамаңыз. Жаңа шынжырмен ауыстыру қажет.

- Жоңқаның қалыңдығы тереңдік өлшегіш (дөңгелек тұмсығы) пен кесу жиегінің арасындағы қашықтық арқылы анықталады.
- Кесу жиегі мен тереңдік өлшегіш арасындағы келесі қашықтық арқылы кесуді өте тиімді орындауға болады.
 - 80TXL шынжыр жүзі: 0,65 мм

► Сурет27

- Барлық кескіштердегі қайрау бұрышы бірдей 30° болуы қажет. Әртүрлі кескіш бұрыштар шынжырдың бірқалыпты және біркелкі жұмыс істеуіне, тез тозуына және үзілуіне әкеледі.
- Тістерге қатысты тиісті қайрау бұрышын сақтау үшін қолайлы дөңгелек егеуді пайдаланыңыз.
 - 80TXL шынжыр жүзі: 55°

Егеу және егеуді бағыттау

- Шынжырды қайрау үшін ара шынжырларына арналған арнайы дөңгелек егеуді (қосымша керек-жарақ) пайдаланыңыз. Қалыпты дөңгелек егеулер сай келмейді.
- Әр ара шынжырына арналған дөңгелек егеудің диаметрі келесідей:
 - 80TXL шынжыр жүзі: 4,0 мм
- Егеу кескішке тек алдыңғы жүріс арқылы енуі керек. Кері жүріс кезінде егеуді кескіштен көтеріп алыңыз.
- Алдымен ең қысқа кескішті қайраңыз. Содан кейін осы ең қысқа кескіштің ұзындығы ара жүзіндегі барлық басқа кескіштер үшін стандартты болады.
- Егеуді суретте көрсетілгендей бағыттаңыз.

► Сурет28: 1. Егеу 2. Ара шынжыры

- Егеу ұстағышын (қосымша керек-жарақ) қолданған жағдайда, егеуді бағыттау оңай болады. Егеу ұстағышының 30° дұрыс қайрау бұрышына (ара шынжырына белгілерді қатарластырып туралаңыз) арналған белгілері бар және кіру тереңдігін (егеу диаметрінің 4/5 бөлігіне дейін) шектейді.

► Сурет29: 1. Егеу ұстағыш

- Шынжырды қайрап болғаннан кейін, шынжыр өлшегіш құралын (қосымша керек-жарақ) пайдаланып, тереңдік өлшегішінің биіктігін тексеріңіз.

► Сурет30

- Арнайы тегіс егеудің (қосымша керек-жарақ) көмегімен кез келген шығып тұрған материалды, тіпті кішкентай болса да, жойыңыз.
- Тереңдік өлшегіштің алдыңғы жағын қайта дөңгелектеңіз.

Бағыттауыш білікті тазалау

Жоңқалар мен үгінділер бағыттауыш біліктің ойығына жиналады. Олар білік ойығын бітеп, май ағынын нашарлатыу мүмкін. Ара шынжырын қайраған немесе ауыстырған кезде, әрқашан жоңқалар мен үгінділерден тазалаңыз.

► Сурет31

Тісті барабан қақпағын тазалау

Жоңқалар мен үгінділер тісті барабан қақпағының ішінде жиналады. Құралдан тісті барабан қақпағы мен ара шынжырын алыңыз, содан кейін жоңқалар мен үгінділерден тазалаңыз.

► Сурет32

Май ағызу саңылауын тазалау

Жұмыс істеу кезінде май ағызу саңылауына ұсақ шаң бөлшектері жиналуы мүмкін. Бұл шаң мен бөлшектер май ағынына кедергі келтіріп, тұтас ара жүзінің жеткіліксіз майлануына әкелуі мүмкін. Бағыттауыш біліктің жоғарғы жағында майдың жеткізілуі жеткіліксіз болған кезде, май ағызу саңылауын келесідей тазалаңыз.

1. Құралдан тісті барабан қақпағы мен ара шынжырын алыңыз.
2. Оймакілтекті бұрауышты немесе сол секілді құралды пайдаланып, ұсақ шаңды және бөлшектерді алып тастаңыз.

► Сурет33: 1. Оймакілтекті бұрауыш 2. Май ағызу саңылауы

3. Аккумулятор картриджін құралға енгізіңіз. Май ағызу саңылауында жиналған шаң мен бөлшектерді шынжыр майымен бірге ағызып жіберу үшін, ауыстырып-қосқыш шүріппесін тартыңыз.
4. Аккумулятор картриджін құралдан шығарыңыз. Құралға тісті дөңгелек жабынын, ара шынжырын және ара шинасын қайта орнатыңыз.

Тісті барабанды ауыстыру

▲САҚ БОЛЫҢЫЗ: тозған тісті барабан жаңа ара шынжырын зақымдайды. Бұл жағдайда тісті барабанды ауыстырыңыз.

Жаңа ара шынжырын орнатпас бұрын, тісті барабанның жағдайын тексеріңіз.

► Сурет34: 1. Тісті барабан 2. Тозатын аймақтар

Әрдайым тісті барабанды ауыстырған кезде, жаңа құлыптау сақинасын орнатыңыз.

► Сурет35: 1. Құлыптау сақинасы 2. Тісті барабан

▲НАЗАР САЛЫҢЫЗ: Тісті барабанның суретте көрсетілгендей орнатылғанына көз жеткізіңіз.

Құралды сақтау

1. Құралды сақтамас бұрын тазалаңыз. Тісті барабан қақпағын алғаннан кейін, құралды жоңқалар мен үгінділерден тазалаңыз.
2. Құралды тазалап болғаннан кейін, ара шынжырын және бағыттауыш білігін майлау үшін, оны жүктемесіз іске қосыңыз.
3. Бағыттауыш білік қақпағымен бағыттауыш білікті жабыңыз.
4. Май шанын босатыңыз.

Мерзімді техникалық қызмет көрсетуге арналған нұсқаулар

Құрал ұзақ қызмет етуі, зақымдалмауы және қауіпсіздік функциялары толық істеуі үшін, төмендегі техникалық күтімді үнемі орындап отыру қажет. Бұл жұмыс үнемі және тиісті түрде орындалса ғана, кепілдік талаптары орындалады. Тағайындалған техникалық күтім жұмысын орындамасаңыз, жазатайым оқиғалар орын алуы мүмкін! Құралдың пайдаланушысы пайдалану нұсқаулығында сипатталмаған техникалық күтім жұмысын орындамауы тиіс. Ондай жұмыстардың барлығы өкілетті сервистік орталығымызда орындалуы тиіс.

Элементті тексеру/ пайдалану уақыты		Жұмысты бастамас бұрын	Күнде	Апта сайын	3 ай сайын	Жыл сайын	Сақтауға дейін
Бүкіл құрал	Тексеру.	✓	-	-	-	-	-
	Тазалау.	-	✓	-	-	-	-
	Өкілетті қызмет көрсету орталығында тексеріңіз.	-	-	-	-	✓	✓
Ара шынжыры	Тексеру.	✓	-	-	-	-	-
	Қажет болса, қайраңыз.	-	-	-	-	-	✓
Бағыттауыш білік	Тексеру.	✓	✓	-	-	-	-
	Құралдан шешіп алу.	-	-	-	-	-	✓
Шынжырды майлау	Майдың беріліс жылдамдығын тексеріңіз.	✓	-	-	-	-	-
Ауыстырып-қосқыш шүріппесі	Тексеру.	✓	-	-	-	-	-
Құлыптау тетігі	Тексеру.	✓	-	-	-	-	-
Май шанының қақпағы	Беріктігін тексеріңіз.	✓	-	-	-	-	-
Бұрандалар мен сомындар	Тексеру.	-	-	✓	-	-	-

АҚАУЛЫҚТАРДЫ ЖОЮ

Жөндеу жұмыстарына тапсырыс беруден бұрын, тексерулер жүргізіңіз. Нұсқаулықта көрсетілмеген мәселелер анықталса, құралды бөлшектемеңіз. Makita компаниясының өкілетті қызмет көрсету орталықтарына хабарласыңыз және жөндеу үшін әрқашан Makita қосалқы бөлшектерін пайдаланыңыз.

Ақаулық күйі	Себебі	Әрекет
Құрал іске қосылмады.	Аккумулятор картриджі орнатылмаған.	Зарядталған аккумулятор картриджін орнатыңыз.
	Аккумулятор ақауы (төмен кернеулі).	Аккумулятор картриджін зарядтаңыз. Зарядталмаса, аккумулятор картриджін ауыстырыңыз.
Аз уақыт пайдаланғаннан кейін қозғалтқыш жұмысын тоқтатады.	Аккумулятордың зарядталу деңгейі өте төмен.	Аккумулятор картриджін зарядтаңыз. Зарядталмаса, аккумулятор картриджін ауыстырыңыз.
Шынжырда май жоқ.	Май шаны бос.	Май шанын толтырыңыз.
	Май бағыттауыш ойығы ластанған.	Ойықты тазалаңыз.
Құрал бір минут ішіндегі максималды айналымға жетпейді.	Аккумулятор картриджі тиісті түрде орнатылмаған.	Аккумулятор картриджін осы нұсқаулықта көрсетілгендей орнатыңыз.
	Аккумулятор қуаты төмендеуде.	Аккумулятор картриджін қайта зарядтаңыз. Егер қайта зарядтау тиімді болмаса, аккумулятор картриджін ауыстырыңыз.
	Жетекті жүйе дұрыс жұмыс істемейді.	Жөндеу жұмысына байланысты тұрып жатқан жеріңіздегі өкілетті қызмет көрсету орталығына хабарласыңыз.
Қалыптан тыс дірілдесе: Құралды дереу тоқтатыңыз!	Бағыттауыш білікті немесе ара жүзін босатыңыз.	Бағыттауыш білік пен ара шынжырының керілісін реттеңіз.
	Құралдың ақаулығы.	Жөндеу жұмысына байланысты тұрып жатқан жеріңіздегі өкілетті қызмет көрсету орталығына хабарласыңыз.
Ара шынжырын орнату мүмкін емес.	Ара шынжыры мен тісті барабанның тіркесімі дұрыс емес.	Техникалық сипаттамалар бөлімін қарай отырып, ара шынжыры мен тісті барабанның дұрыс тіркесімін пайдаланыңыз.

ҚОСЫМША КЕРЕК-ЖАРАҚТАР

⚠САҚ БОЛЫҢИЗ: Бұл керек-жарақтар мен қондырмалар осы нұсқаулықта көрсетілген Makita құралымен бірге пайдалануға ұсынылады. Кез келген басқа керек-жарақтар мен қондырмаларды пайдалану адамдардың жарақаттануына әкелуі мүмкін. Керек-жарақты немесе қондырманы тек өз мақсатында ғана қолданыңыз.

Осы керек-жарақтар туралы қосымша мәлімет алу үшін көмек қажет болса, жергілікті Makita қызмет көрсету орталығына хабарласыңыз.

- Ара шынжыры
- Бағыттауыш білік
- Бағыттауыш біліктің қақпағы
- Егеу
- Құрал сөмкесі
- Makita түпнұсқа аккумуляторы және зарядтау құрылғысы

ЕСКЕРТПЕ: Тізімдегі кейбір элементтер стандартты керек-жарақтар ретінде құралдың қаптамасында болуы мүмкін. Олар елге байланысты әртүрлі болуы мүмкін.

Makita Europe N.V.

Jan-Baptist Vinkstraat 2, 3070 Kortenberg, Belgium

Makita Corporation

3-11-8, Sumiyoshi-cho, Anjo, Aichi 446-8502 Japan

www.makita.com



885998A783
EN, RU, KK
20221110