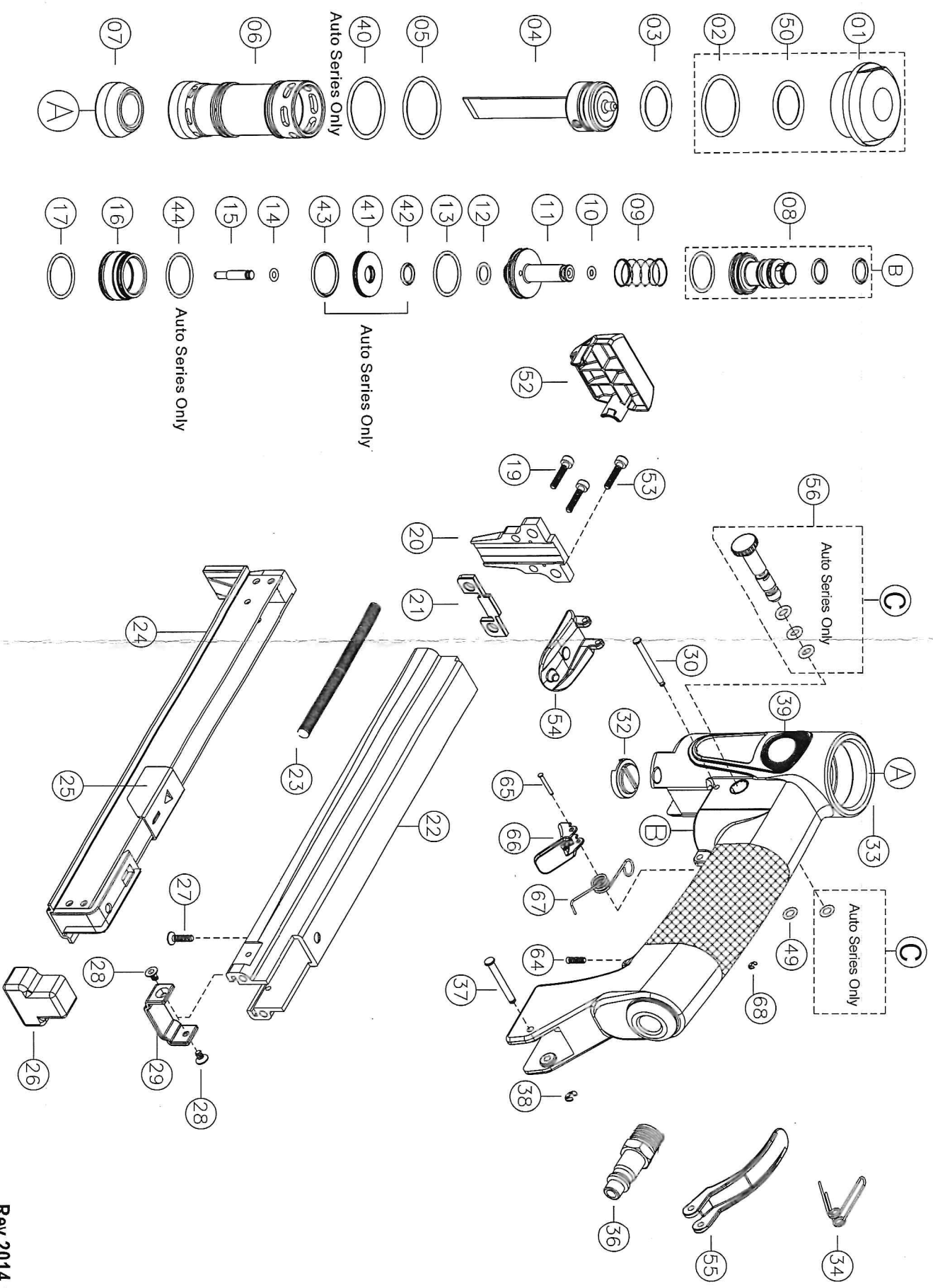


**MODEL NO. : TYI-95/16S;TYI-A11/16S
TYI-95/16AS;TYI-A11/16AS**



PART LIST FOR TYI-95/16S ; TYI-A11/16S
PART LIST FOR TYI-95/16AS ; TYI-A11/16AS

NO.	PART NO.	DESCRIPTION	Q'TY
1	18015	HAMMER HEAD CAP	1
2	90000	O-RING (HEAD CAP)	1
3	90001	O-RING (DRIVER PISTON)	1
4	15020	PISTON RAM ASSEMBLY (95 SERIES)	1
4	11020	PISTON RAM ASSEMBLY (A11 SERIES)	1
5	90000	O-RING (CYLINDER)	1
6	18030	CYLINDER	1
6	18040	CYLINDER (AUTO SERIES)	1
7	18050	BUMPER	1
8	18060-1	TRIGGER VALVE KIT	1
9	18070	TRIGGER VALVE SPRING	1
10	90055	O-RING C (TRIGGER VALVE)	1
11	18080	TRIGGER VALVE B	1
11	18090	TRIGGER VALVE B (AUTO SERIES)	1
12	90005	O-RING D (TRIGGER VALVE)	1
12	90006	O-RING D (TRIGGER VALVE/ AUTO SERIES)	1
13	90007	O-RING E (TRIGGER VALVE)	1
13	90008	O-RING E (TRIGGER VALVE/ AUTO SERIES)	1
14	90009	O-RING F (TRIGGER VALVE)	1
15	18100	TRIGGER VALVE STEM	1
15	18110	TRIGGER VALVE STEM (AUTO SERIES)	1
16	18120	TRIGGER VALVE GUIDE	1
16	18130	TRIGGER VALVE GUIDE (AUTO SERIES)	1
17	90007	O-RING E (TRIGGER VALVE)	1
19	91001	HEX.SOC.HD.SCREW	2
20	15140	NOSE (95 SERIES)	1
20	11140	NOSE (A11 SERIES)	1
21	15150	NOSE PLATE	1
22	15160	MAGAZINE COVER (95 SERIES)	1
22	11160	MAGAZINE COVER (A11 SERIES)	1
23	18170	PUSHER SPRING	1
24	15180	MAGAZINE (95 SERIES)	1
24	11180	MAGAZINE (A11 SERIES)	1

NO.	PART NO.	DESCRIPTION
25	15190	PUSHER (95 SERIES)
25	11190	PUSHER (A11 SERIES)
26	18200	REAR MAGAZINE BUMPER
27	93001	HEX.SOC.FT.HD.SCREW
28	93003	HEX.SOC.FT.HD.SCREW
29	18210	MAGAZINE RETAINER
30	18220	PIN (TRIGGER)
32	18240	SEAL
33	18465	GUN BODY
33	18485-2	GUN BODY (AUTO SERIES)
34	18270	MAGAZINE LATCH SPRING
36	94001-1	AIR PLUG
37	18290	PIN (MAGAZINE LATCH)
38	95001	E-RING
39	23000	RUBBER LABEL
40	90015	O-RING (HEAD CAP/CYLINDER) (AUTO SERIES ONLY)
41	18310	TRIGGER VALVE PLATE (AUTO SERIES ONLY)
42	90005	O-RING TRIGGER (AUTO SERIES ONLY)
43	90033	O-RING TRIGGER (AUTO SERIES ONLY)
44	90033	O-RING TRIGGER (AUTO SERIES ONLY)
49	90010	O-RING
50	90087	O-RING
52	18330	NOSE COVER
53	91000-1	HEX.SOC.HD.SCREW+SW
54	18231	TRIGGER
55	18283	MAGAZINE LATCH
56	18322-1	AUTOMATIC ADJUST SWITCH KIT (AUTO SERIES ONLY)
64	99004	HEX.SOC.HDLESS.BOLT
65	18370	PIN
66	28100	DOUBLE TRIGGER
67	18390	DOUBLE TRIGGER LATCH SPRING
68	95002	E-RING