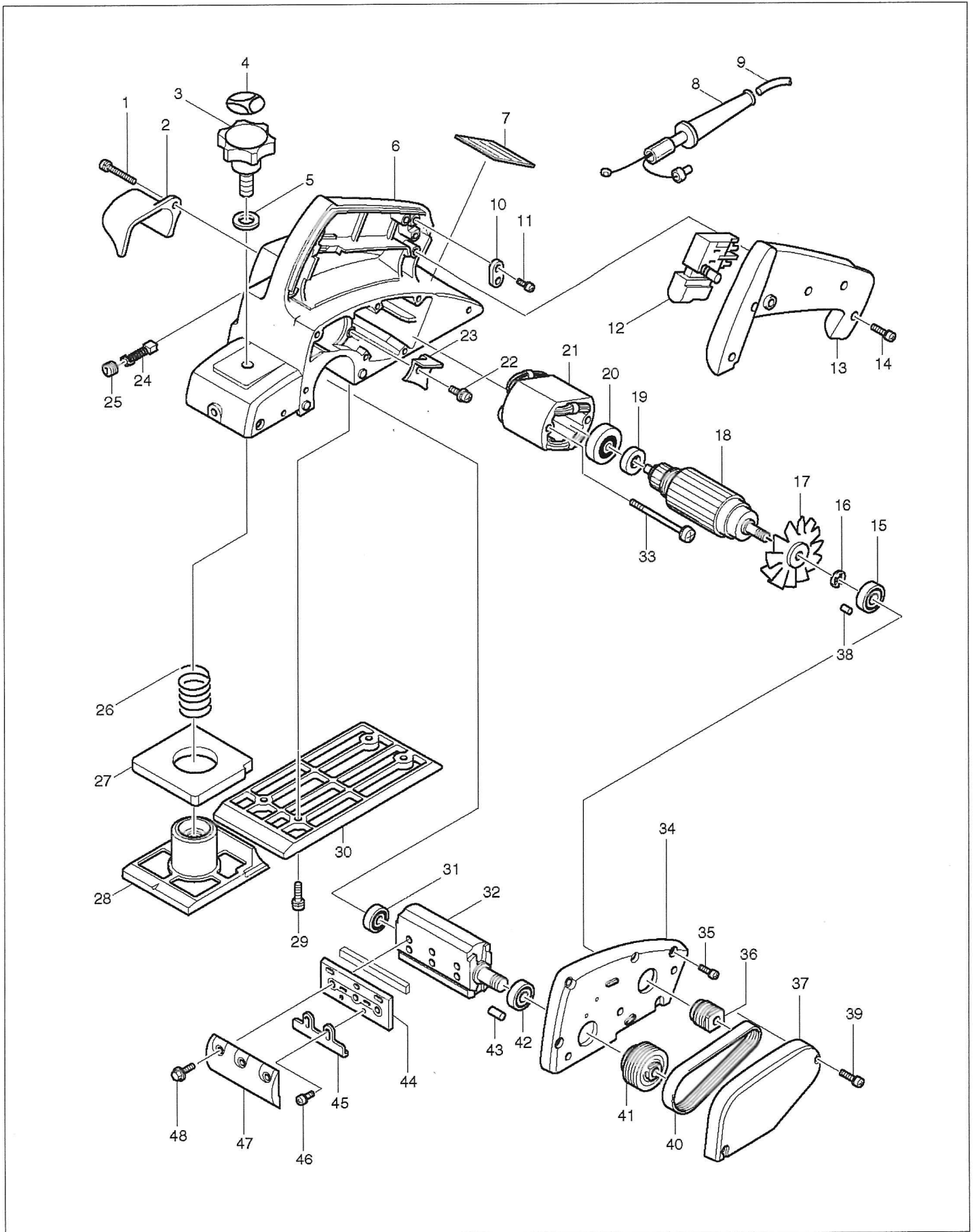


# SERVICE DRAWING

MODEL NO. 1902



# SPARE PARTS LIST

MODEL NO. 1902

ITEM	PART NO.	DESCRIPTION	QTY	NOTE
001	911128-8	PAN HEAD SCREW M4X16	1	
002	152122-3	NOZZLE FOR DUST BAG	1	
003	271231-0	KNOB 46	1	
004	*****	*****	***	*****
005	941251-5	FLAT WASHER 10	1	
006	159983-2	MAIN FRAME COMPLETE	1	
007	859017-8	NAME PLATE 1902	1	
008	682502-4	CORD GUARD 8-85	1	
009	666066-6	POWER SUPPLY CORD 1.0-2-2.5	1	
010	687063-9	CORD CLAMP	1	
011	911133-5	PAN HEAD SCREW M4X18	2	
012	651239-4	SWITCH SGES206C	1	
013	411170-4	HANDLE COVER	1	
014	911148-2	PAN HEAD SCREW M4X25	4	
015	211061-7	BALL BEARING 6000LLB	1	
016	961015-1	STOP RING E-9	1	
017	241510-0	FAN 52	1	
018	511938-9	ARMATURE ASS'Y 220V INC. 15-17,19,20	1	
019	681614-0	INSULATION WASHER	1	
020	211028-5	BALL BEARING 627LB	1	
021	599314-7	FIELD ASS'Y 220V	1	
022	911128-8	PAN HEAD SCREW M4X16	1	
023	411153-4	AUXILIARY BAFFLE PLATE	1	
024	181021-2	CARBON BRUSH CB-51	1	
025	643550-8	BRUSH HOLDER CAP 5-8	2	
026	231004-3	COMPRESSION SPRING 18	1	
027	421007-7	RUBBER PACKING	1	
028	316963-3	FRONT BASE	1	
029	911226-8	PAN HEAD SCREW M5X18	4	
030	316964-1	BASE	1	
031	211032-4	BALL BEARING 608ZZ	1	
032	161061-6	DRUM	1	
033	911586-8	PAN HEAD SCREW M4X60	2	
034	152565-9	BRACKET COMPLETE INC. 38,43	1	
035	911148-2	PAN HEAD SCREW M4X25	6	
036	222145-6	V-PULLEY 4-18L	1	
037	411019-8	BELT COVER	1	
038	263002-9	RUBBER PIN 4	1	
039	911148-2	PAN HEAD SCREW M4X25	2	
040	225071-8	POLY V-BELT 4-241	1	
041	222146-4	V-PULLEY 4-38	1	
042	211062-5	BALL BEARING 6000ZZ	1	
043	263002-9	RUBBER PIN 4	1	
044	343433-9	SET PLATE F/MINI BLADE	2	
045	342430-2	ADJUST PLATE	2	
046	251246-3	+ PAN HEAD SCREW M4X5	4	
047	*****	*****	***	*****
048	251609-3	HEX. FLANGE HEAD BOLT M6X17	6	
A01	123062-2	BLADE GAUGE ASS'Y	1	
A02	782209-3	SOCKET WRENCH 9	1	
A03	A-82921	T.C.T. MINI PLANER BLADE	1	
E06	654509-0	CONNECTOR 2-SD	1	
E07	645253-0	NOISE SUPPRESSOR	1	
E09	654051-1	EARTH TERMINAL	1	