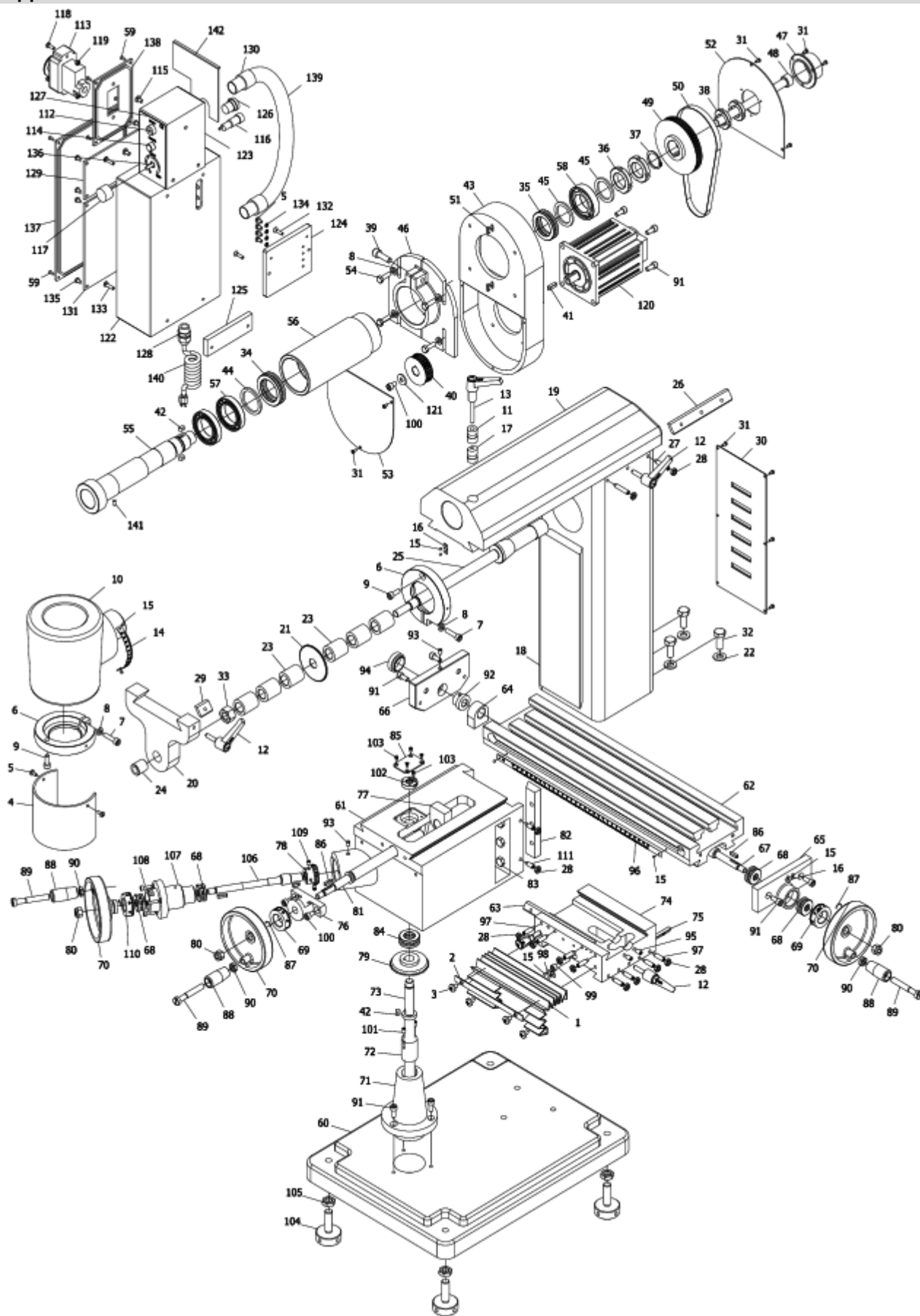


## 10. ДЕТАЛИРОВКА



No.	Part number	Name	Quantity
1	U12303	Dust guard	1
2	U12302	Fixing plate	1
3	GB 818-85 - M6 x 8	Cross recessed small pan head screw	4
4	U12301	Shield	1
5	GB 818-85 - M4 x 8	Cross recessed small pan head screw	6
6	U10203	Lock sleeve	2
7	GB 70-85 - M6 x 25	Hexagon socket head screw	2
8	GB 97.1-85 - 6	Washer	6
9	GB 70-85 - M6 x 16	Hexagon socket head screw	2
10	U10201	Spindle box	1
11	U10204	Latch segment I	1
12	X20218B01	Little handle	5
13	U1020501	Locking screw	1
14	U10206	Scale of degrees	1
15	GB827-86 2x4	Rivet for name plate	12
16	X21118	Indicator	3
17	U10207	Latch segment II	1
18	U10901A	Upright post	1
19	U10902	Ram	1
20	U10904	Junction block of horizontal milling bed	1
21	φ 60	Blade milling cutter	1
22	GB 97.1-85 - 10	washer	3
23	U20231	Adjusting washer ( II )	6
24	U20229	Bronze bushing	1
25	U10903A	Spindle of horizontal milling bed	1
26	U10905	Ram gag	1
27	GB 79-85 - M6 x 30	Slotted headless set screw	2
28	GB 6172-86 - M6	Hexagon nut	12
29	U10906	Junction block gag	1
30	U10907	Cover	1
31	GB 818-85 - M3 x 6	Cross recessed small pan head screw	15
32	GB 5781-86 - M10x25	Hexagon screw	3
33	GB 6170-86 - M14	Hexagon nut	1
34	GB 301-84 - 8107	Thrust ball bearing	1
35	GB 301-84 - 8106	Thrust ball bearing	1
36	GB 810-88 - M27x1.5	Slotted round nut	2

<b>No.</b>	<b>Part number</b>	<b>Name</b>	<b>Quantity</b>
37	GB 894.1 - 25	Circlip	1
38	GB 810-88 - M20x1.5	Slotted round nut	2
39	GB 70-85 - M8 x 25	Hexagon socket head screw	1
40	U10202B02	Permanent-magnet direct current motor	1
41	GB1096-79 3x16	Synchronous pulley of motor	1
42	GB1096-79 5x10	Parallel key	3
43	U10202B01	Parallel key	1
44	U20202	Pulley box	1
45	U20205	Washer ( I )	2
46	U20233	Washer ( II )	1
47	U20208	Gearbox bracket	1
48	U10202A02	Dust guard	1
49	U1020204	Synchronous pulley of spindle	1
50	1.5x100x9	Jugged synchronous belt	1
51	GB1096-79 4x12	Parallel key	3
52	U1020207	Top cover	1
53	U1020208	Bottom cover	1
54	GB 5781-86 - M6x20	Hexagon headed bolt	4
55	U10202A01	R8 Spindle	1
56	U1020202	Spindle socket	1
57	GB 278-89 - 1080907	Ditch ball bearing	2
58	GB 279-89 - 180106	Ditch ball bearing	1
59	GB 846-85 - ST2.9 x 9.5	Tapping screw (for sheet metal)	8
60	U11101	Base	1
61	U11102	Lift	1
62	X211C02	Worktable	1
63	X211C01	Vertical gag	1
64	X21109	Metric vertical screw nut	1
65	X211C08	Bearing base	1
66	X211C06	Left cover	1
67	X211C09	Metric vertical screw	1
68	GB 301-84 - 8200	Thrust ball bearing	4
69	X21111	Metric dial	2
70	X21117B	Hand wheel	3
71	U11105	Nut base	1
72	U11109	Metric lifting nut	1
73	U11110	Metric lifting screw	1
74	U11103	Saddle	1
75	X211C05	Horizontal gag	1

No.	Part number	Name	Quantity
76	X21115	Horizontal screw base	1
77	X21113	Metric horizontal screw nut	1
78	U11111	Little cone gear	1
79	U11112	Big cone gear	1
80	GB 889-86 - M8	Hexagon locking nut	3
81	U11104	Metric horizontal screw	1
82	U11108	Gag	1
83	GB 5781-86 - M8x25	Hexagon headed bolt	3
84	GB 301-84 - 8202	Thrust ball bearing	1
85	U11113	Cover	1
86	GB1096-79 4x16	Parallel key	3
87	X20221	Damping spring	3
88	C2A0307	Handle	3
89	GB 65-85 - M8 x 55	Slotted circular headed screw	3
90	GB 6172-86 - M8	Hexagon nut	3
91	GB 70-85 - M6 x 14	Hexagon socket head screw	11
92	X31131	Vertical screw bracket left socket	1
93	JB/T7940.4-95 6	Pressed-on forced filling oil cup	2
94	X31136	Left bracket cover	1
95	GB 77-85 - M6 x 10	Hexagon set screw	2
96	X21103	Metric ruler	1
97	GB 79-85 M6 x 22	Hexagon set screw	8
98	C5C0315	Zero label	1
99	GB 70-85 - M6 x 30	Hexagon socket head screw	1
100	GB 70-85 - M6 x 10	Hexagon socket head screw	3
101	GB 77-85 - M5 x 8	Hexagon set screw	2
102	U11114	Locking nut	1
103	GB 819-85 - M3x6	Cross slot sunk screw	5
104	X31101	Footing adjusting screw	4
105	GB 6172-86 - M12	Hexagon nut	4
106	U11106	Lifting axis	1
107	U11107	Bearing base	1
108	GB 70-85 - M4 x 14	Hexagon socket head screw	3
109	GB 71-85 - M5 x 8	Slotted set screw with cone point	2
110	U11115	Metric dial	1
111	GB 79-85 - M6 x 16	Slotted headless set screw	2
112	M14	Light base	1
113		Magnetic switch	1
114		Green light	1

<b>No.</b>	<b>Part number</b>	<b>Name</b>	<b>Quantity</b>
115	GB 818-85 - M5 x 8	Cross recessed small pan head screw	3
116	HJMF527	Fuse holder	1
117		Potentiometer knob	1
118	GB 818-85 - M4 x 12	Cross recessed small pan head screw	2
119	GB 6170-86 - M4	Hexagon nut	2
120	500W	Brushless motor	1
121	GB 96-85 - 6	Spring washer	1
122	SU11801	Switch box	1
123	SX21803 改制	Switch box	1
124	SU11802	Block 1	1
125	SU11803	Block 2	1
126		Air joint	1
127	SX22511	Main lable	1
128	16	Pendant control	1
129		Potentiometer	1
130	AD21.2 M20B	Hose fitting	3
131		Circuit board	1
132	GB 819-85 - M4 x 16	Cross recessed small pan head screw	2
133	GB 818-85 - M4 x 16	Cross recessed small pan head screw	4
134	GB 93-87 - M4	Spring washer	4
135	GB 845-85 - ST4.2 x 9.5	Self set screw	8
136	X-1	X-1 small PCB	1
137	SX21802	PCB cover	1
138	SX21804	Switch box cover	1
139		Hose	1
140		Standard power wire	1
141	GB 119-86 - B 4 x 8	Round pin	1
142	SX21806	Soleplate	1

## 11. ЭЛЕКТРИЧЕСКАЯ СХЕМА

