



VN	VIETNAM
----	---------

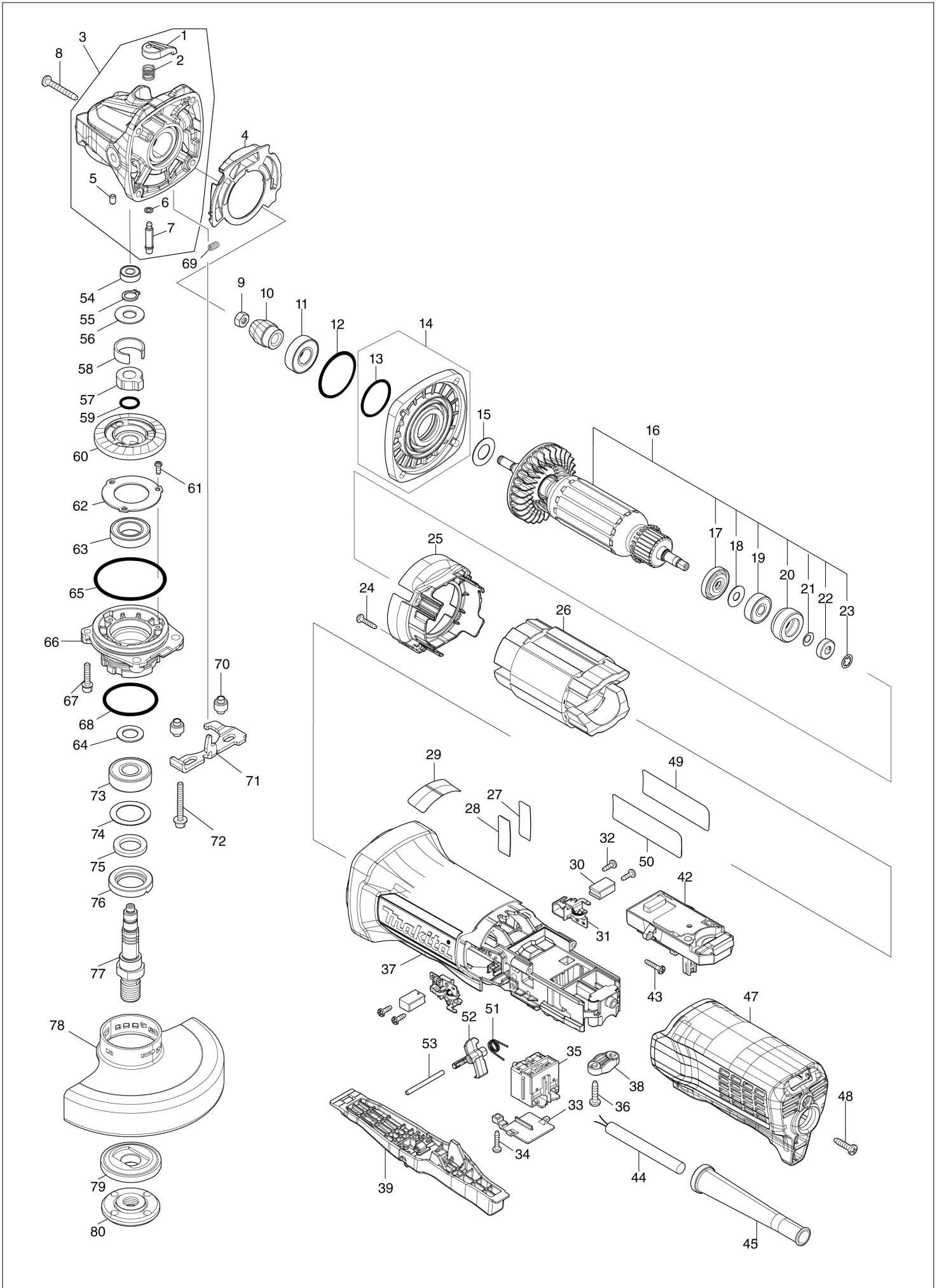
Diagram / Parts List

GA5095

125MM ANGLE GRINDER



(VN) GA5095 / 125MM ANGLE GRINDER



VN	VIETNAM
-----------	----------------

GA5095 / 125MM ANGLE GRINDER

Item	Sub	Parts No.	Parts Description	Qty	I/C	E/C No.	Close No.	Remark
001		453369-5	PIN CAP	1				
002		234057-1	COMPRESSION SPRING 8	1				
003		136770-6	GEAR HOUSING ASS'Y	1				
	D10		INC.1,2,5-7					
004		413C06-1	DIFFUSER	1				
005		263002-9	RUBBER PIN 4	1				
006		213032-0	O RING 4	1				
007		256535-1	SHOULDER PIN 6	1				
008		266361-0	TAPPING SCREW 4X30	4				
009		252186-8	HEX. NUT M6	1				
010		227916-6	SPIRAL BEVEL GEAR 11	1				
011		211131-2	BALL BEARING 6001DDW	1				
012		422812-5	RUBBER PLATE	1				
013		213693-6	O-RING 27.5	1				
014		136771-4	GEAR HOUSING COVER ASS'Y	1				
	D10		INC. 13					
015		253084-9	FLAT WASHER 12	1				
016		511A48-8	ARMATURE ASS'Y 220V	1				
	D10		INC. 17-23					
017		681656-4	INSULATION WASHER	1				
018		253823-7	FLAT WASHER 7	1				
019		210027-4	BALL BEARING 627DDW	1				
020		422811-7	LABYRINTH RUBBER RING 22	1				
021		267756-0	WAVE WASHER 6	1				
022		688117-5	MAGNET SLEEVE	1				
023		259039-2	SELF LOCK 6	1				
024		266429-2	TAPPING SCREW 3X16	4				
025		413C07-9	BAFFLE PLATE A	1				
026		621A18-0	FIELD 220-240V	1				
027		807G78-4	CLEAR LABEL	1				
028		8580A2-5	GA5095 SERIAL NO. LABEL	1				
029		898443-6	SJS2 MARK LABEL	1				
030		1910M3-7	CARBON BRUSH 264 SET	1				
031		644011-1	BRUSH HOLDER	2				
032		266007-8	TAPPING SCREW BIND PT 3X10	4				
033		413H00-3	SWITCH COVER	1				
034		266429-2	TAPPING SCREW 3X16	1				
035		650028-4	SWITCH FPC-2115T-0-02	1				
036		266326-2	TAPPING SCREW 4X18	2				
037		413G98-4	MOTOR HOUSING A	1				
038		687140-7	STRAIN RELIEF	1				
039		162B63-7	SWITCH LEVER COMPLETE	1				
042		620H25-2	CONTROLLER	1				
043		266429-2	TAPPING SCREW 3X16	2				
044		691015-4	POWER SUPPLY CORD 0.75-2-2.5	1				
045		682117-7	CORD GUARD	1				
047		413G99-2	REAR COVER C	1				
048		266326-2	TAPPING SCREW 4X18	1				
049		8055D2-7	CLEAR LABEL	1			DM148	
050		8580A0-9	GA5095 NAME PLATE	1				
051		232753-5	TORSION SPRING 8	1				
052		413G96-8	ROLL LINK	1				
053		256375-7	ROD 3	1				
054		210026-6	BALL BEARING 696ZZ	1				
055		961006-2	RETAINING RING S-10	1				
056		253180-3	FLAT WASHER 10	1				
057		327918-3	JOINT SLEEVE	1				
058		347911-1	C TYPE PLATE	1				
059		213122-9	O RING 12	1				
060		227917-4	SPIRAL BEVEL GEAR 38	1				
061		265199-0	+ PAN HEAD SCREW M3X8	3				
062		285048-5	BEARING RETAINER 27-46	1				
063		210302-8	BALL BEARING 6903ZZ	1				
064		253744-3	FLAT WASHER 12	1				
065		213641-5	O RING 51	1				

A:GA5095X01(H)

Interchange
 O : Yes
 X : No
 < : the new part can be substituted for the current.
 > : the current part can be substituted for the new.
 S : Interchangeable as a set.

