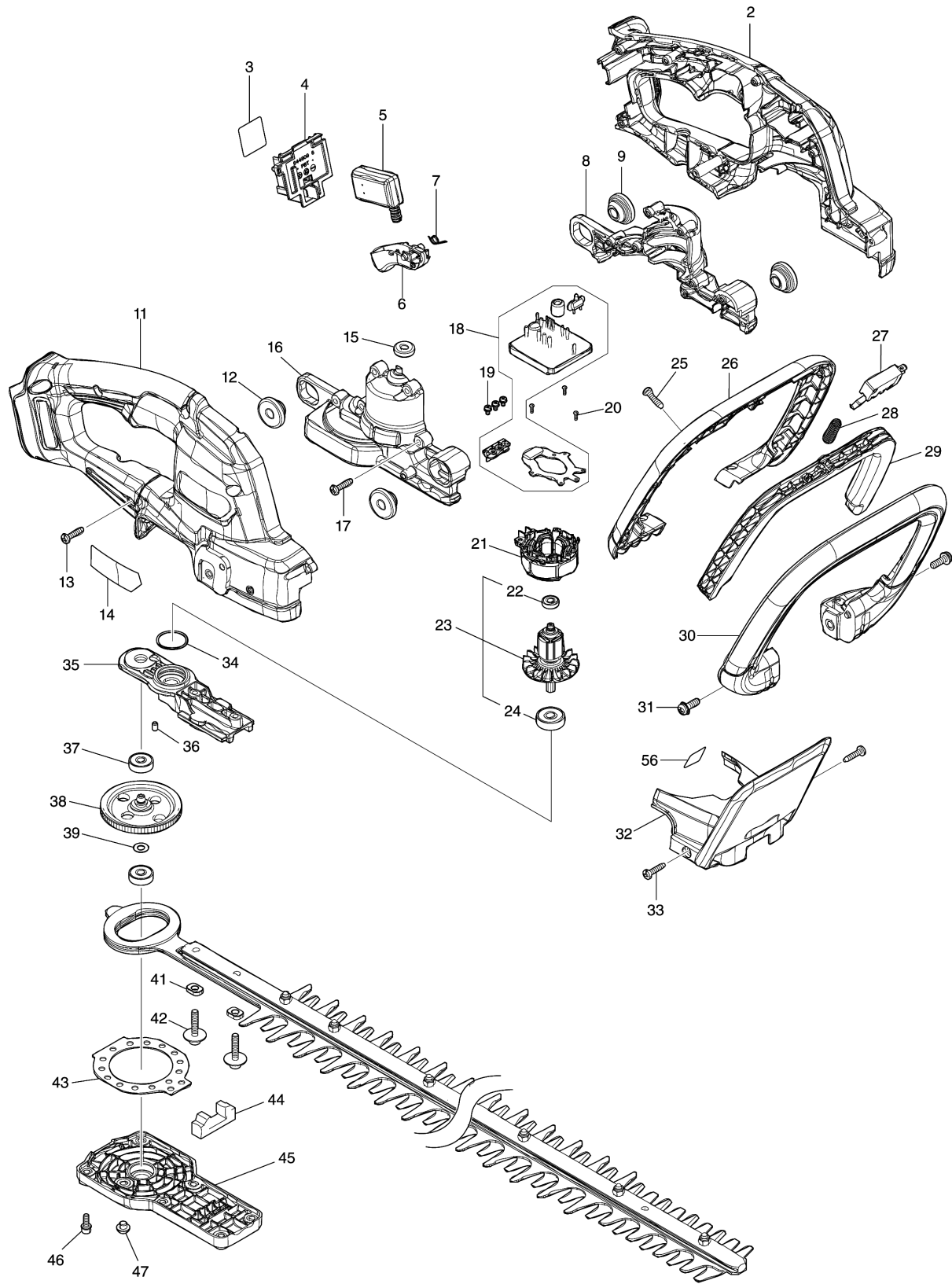
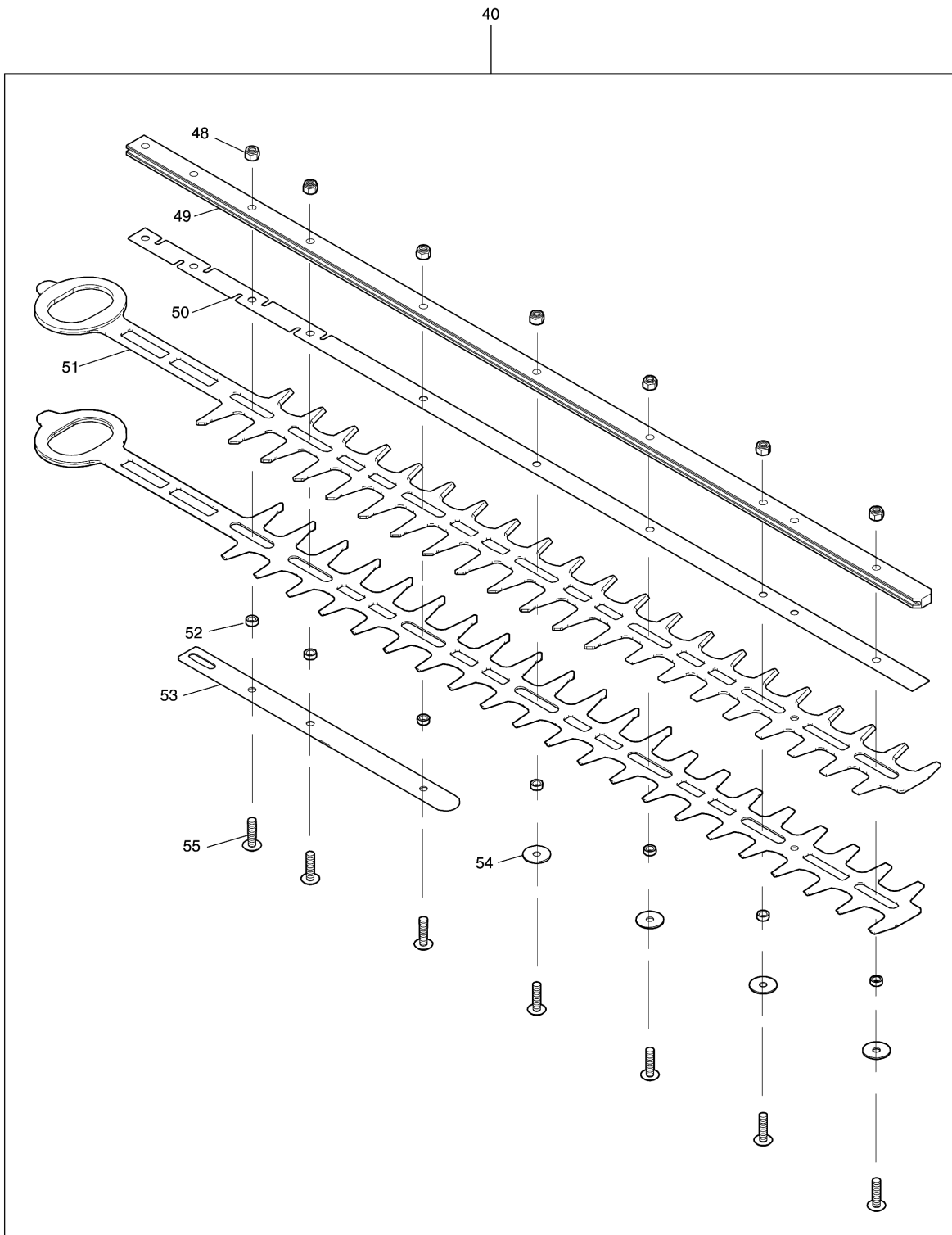


Model No.DUH606 500MM CORDLESS HEDGE TRIMMER



Model No.DUH606 500MM CORDLESS HEDGE TRIMMER



Model No.DUH606 500MM CORDLESS HEDGE TRIMMER

| Item | Parts No. | Description | I/C | QTY | New/Old | Opt. 1 | Opt. 2 | NOTE |
|------|-----------|-------------------------|-----|-----|---------|--------|--------|------|
| 002 | 183V39-1 | HANDLE SET | | 1 | | | | |
| C10 | 263005-3 | RUBBER PIN 6 | | 2 | | | | |
| D10 | | INC. 11 | | | | | | |
| 003 | 8580P9-6 | DUH606 SERIAL NO. LABEL | | 1 | | | | |
| 004 | 644809-6 | TERMINAL | | 1 | | | | |
| 005 | 650033-1 | SWITCH C3XA-3PSPM-1 | | 1 | | | | |
| 006 | 413J41-1 | SWITCH LEVER RE | | 1 | | | | |
| 007 | 232770-5 | TORSION SPRING 6 | | 1 | | | | |
| 008 | 183V95-1 | MOTOR HOUSING SET | | 1 | | | | |
| D10 | | INC. 16 | | | | | | |
| 009 | 424394-3 | RUBBER RING 8 | | 2 | | | | |
| 011 | 183V39-1 | HANDLE SET | | 1 | | | | |
| C10 | 263005-3 | RUBBER PIN 6 | | 2 | | | | |
| D10 | | INC. 2 | | | | | | |
| 012 | 424394-3 | RUBBER RING 8 | | 2 | | | | |
| 013 | 266326-2 | TAPPING SCREW 4X18 | | 7 | | | | |
| 014 | 8580P3-8 | DUH606 NAME PLATE | | 1 | | | | |
| 015 | 424195-9 | RUBBER RING 6 | | 1 | | | | |
| 016 | 183V95-1 | MOTOR HOUSING SET | | 1 | | | | |
| D10 | | INC. 8 | | | | | | |
| 017 | 266326-2 | TAPPING SCREW 4X18 | | 6 | | | | |
| 018 | 620J54-7 | CONTROLLER | | 1 | | | | |
| 019 | 652069-6 | FLAT HEAD SCREW M3X6 | | 3 | | | | |
| 020 | 266490-9 | TAPPING SCREW PT 2X6 | | 3 | | | | |
| 021 | 629B24-5 | STATOR | | 1 | | | | |
| 022 | 211157-4 | BALL BEARING 695ZZ | | 1 | | | | |
| 023 | 519764-0 | ROTOR ASSY | | 1 | | | | |
| D10 | | INC. 22,24 | | | | | | |
| 024 | 210023-2 | BALL BEARING 627DDW | | 1 | | | | |
| 025 | 266326-2 | TAPPING SCREW 4X18 | | 6 | | | | |
| 026 | 413J39-8 | FRONT HANDLE COVER E | | 1 | | | | |
| 027 | 650034-9 | SWITCH D2VW-01L3-3HS | | 1 | | | | |
| 028 | 231325-3 | COMPRESSION SPRING 6 | | 1 | | | | |
| 029 | 413J40-3 | SWITCH LEVER FE | | 1 | | | | |
| 030 | 413J38-0 | FRONT HANDLE E | | 1 | | | | |
| 031 | 911223-4 | PAN HEAD SCREW M5X16 | | 2 | | | | |
| 032 | 141K47-2 | PROTECTOR COMPLETE | | 1 | | | | |
| C10 | 8059E3-6 | CAUTION LABEL | | 1 | | | | |
| 033 | 266326-2 | TAPPING SCREW 4X18 | | 2 | | | | |
| 034 | 213961-7 | O RING 22 | | 1 | | | | |
| 035 | 312D09-7 | BEARING HOUSING E | | 1 | | | | |
| 036 | 263002-9 | RUBBER PIN 4 | | 1 | | | | |

Please order the parts with part number.

Print Date 9/27/2022

Model No.DUH606 500MM CORDLESS HEDGE TRIMMER

| Item | Parts No. | Description | I/C | QTY | New/Old | Opt. 1 | Opt. 2 | NOTE |
|------|-----------|--------------------------------|-----|-----|---------|--------|--------|------|
| 037 | 211016-2 | BALL BEARING 626LLB | | 2 | | | | |
| 038 | 141K44-8 | GEAR COMPLETE | | 1 | | | | |
| 039 | 253715-0 | FLAT WASHER 6 | | 1 | | | | |
| 040 | 1910H9-0 | SHEAR BLADE 600E SET | | 1 | | | | |
| C10 | 199450-5 | GREASE VESSEL SET | | 1 | | | | |
| C20 | 313436-7 | SPACER | | 2 | | | | |
| D10 | | INC. 48-55 | | | | | | |
| 041 | 313436-7 | SPACER | | 2 | | | | |
| 042 | 265A89-3 | H.S.H.BOLT M5X25 WITH WR | | 2 | | | | |
| 043 | 347A10-5 | PLATE | | 1 | | | | |
| 044 | 422904-0 | DUST GUARD | | 1 | | | | |
| 045 | 413J26-7 | UNDER COVER | | 1 | | | | |
| 046 | 922118-6 | HEX. SOCKET HEAD BOLT M4X12 | | 6 | | | | |
| 047 | 266559-9 | H.S.BUTTON HEAD BOLT M6X4 | | 1 | | | | |
| 048 | 264013-7 | HEX. LOCK NUT M5-8 | | 7 | | | | |
| 049 | 327982-4 | GUIDE BAR 600E | | 1 | | | | |
| 050 | 347987-8 | PLATE 600E | | 1 | | | | |
| 051 | 725300-4 | SHEAR BLADE 600E | | 2 | | | | |
| 052 | 257876-8 | RING 5 | | 7 | | | | |
| 053 | 347990-9 | LOWER PLATE | | 1 | | | | |
| 054 | 253571-8 | FLAT WASHER 5 | | 4 | | | | |
| 055 | 265A40-3 | +TRUSS HEAD SCREW M5X20 | | 7 | | | | |
| 056 | 807E85-5 | SOUND 92DB LABEL | | 1 | | | | |
| A01 | 413L92-6 | BLADE COVER 600 | | 1 | | | | |
| A02B | ***DC18SD | DC18SD BATTERY CHARGER | | 1 | | | | |
| D10 | | COMPO-PARTS | | | | | | |
| A03B | 450128-8 | BATTERY COVER | | 1 | | | | |
| A04B | 197280-8 | BATTERY BL1850B SET | | 1 | | | | |
| F03 | 199450-5 | GREASE VESSEL SET | | 1 | | | | |

Please order the parts with part number.

Print Date 9/27/2022