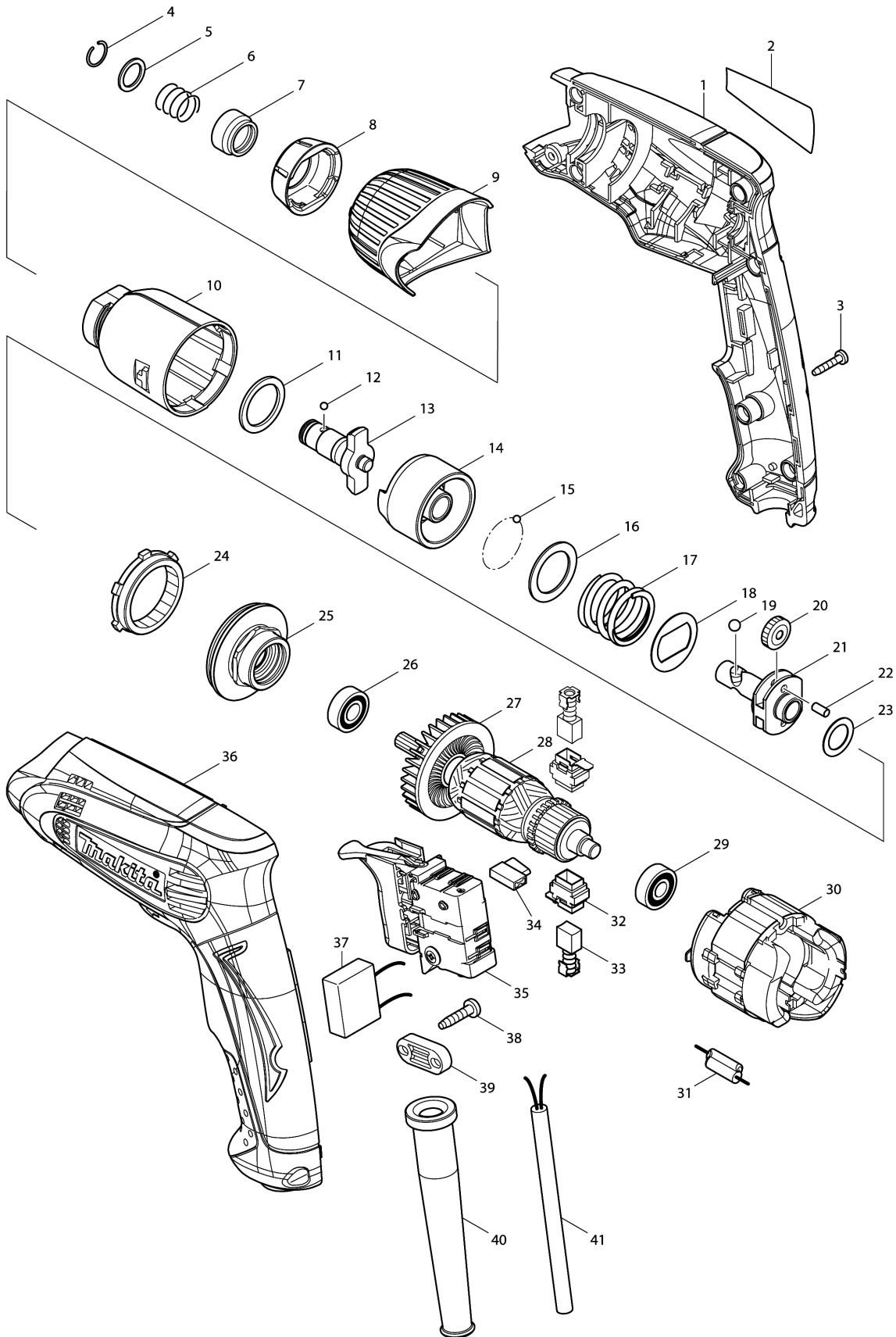


Model No.TD0100 IMPACT DRIVER



Model No.TD0100 IMPACT DRIVER

Item	Parts No.	Description	I/C	Qty	New/Old	Opt. 1	Opt. 2	Note
001	188619-6	HOUSING SET		1				
D10		INC. 36						
002	866253-9	TD0100 NAME PLATE		1				
003	266429-2	TAPPING SCREW 3X16		8				
004	231965-7	RING SPRING 10		1				
005	267143-3	FLAT WASHER 11		1				
006	233005-7	COMPRESSION SPRING 13		1				
007	324711-6	BIT SLEEVE		1				
008	424184-4	BUMPER		1	*			
008-1	424376-5	BUMPER	S	1				
009	450976-5	HAMMER CASE COVER		1	*			
009-1	452440-2	HAMMER CASE COVER	S	1				
010	158898-0	HAMMER CASE COMPLETE		1				
011	261140-1	NYLON WASHER 20		1				
012	216019-1	STEEL BALL 3		2				
013	325619-7	ANVIL M		1	*			
013-1	326630-2	ANVIL M	O	1				
014	324894-2	HAMMER		1				
015	216019-1	STEEL BALL 3		24				
016	267380-9	FLAT WASHER 20		1				
017	234096-1	COMPRESSION SPRING 21		1				
018	267813-4	WASHER 21		1				
019	216002-8	STEEL BALL 4.8		2				
020	227213-0	SPUR GEAR 17		2				
021	324897-6	SPINDLE		1				
022	268217-3	PIN 3.5		2				
023	253052-2	FLAT WASHER 12		1				
024	227215-6	INTERNAL GEAR 43		1				
025	158899-8	BEARING BOX COMPLETE		1				
C10	210112-3	BALL BEARING 6801LLB		1	*			
C11	210242-0	BALL BEARING 6801LLB	O	1				
C20	213325-5	O RING 19		1				
026	210013-5	BALL BEARING 698VV		1				
027	240046-6	FAN 46		1				
028	517659-1	ARMATURE ASS'Y 240V		1				
D10		INC. 26,27,29						
029	210062-2	BALL BEARING 607ZZ		1				
030	639711-6	FIELD 240V		1				
031	646211-9	CHOKE COIL		1				
032	643936-6	BRUSH HOLDER		2				
033	191962-4	CARBON BRUSH CB-419		1				
034	686039-3	RECEPTACLE SLEEVE		1				

Please order the parts with part number.

Print Date 31/3/2020

Model No.TD0100 IMPACT DRIVER

Item	Parts No.	Description	I/C	Qty	New/Old	Opt. 1	Opt. 2	Note
035	650615-9	SWITCH C3TA-2		1				
036	188619-6	HOUSING SET		1				
D10		INC. 1						
038	266326-2	TAPPING SCREW 4X18		2				
039	687124-5	STRAIN RELIEF		1				
040	682566-8	CORD GUARD 10		1				
041	665865-3	POWER SUPPLY CORD 1.0-2-2.5		1				
A01	784244-7	+ BIT 2-50		1				

Please order the parts with part number.

Print Date 31/3/2020