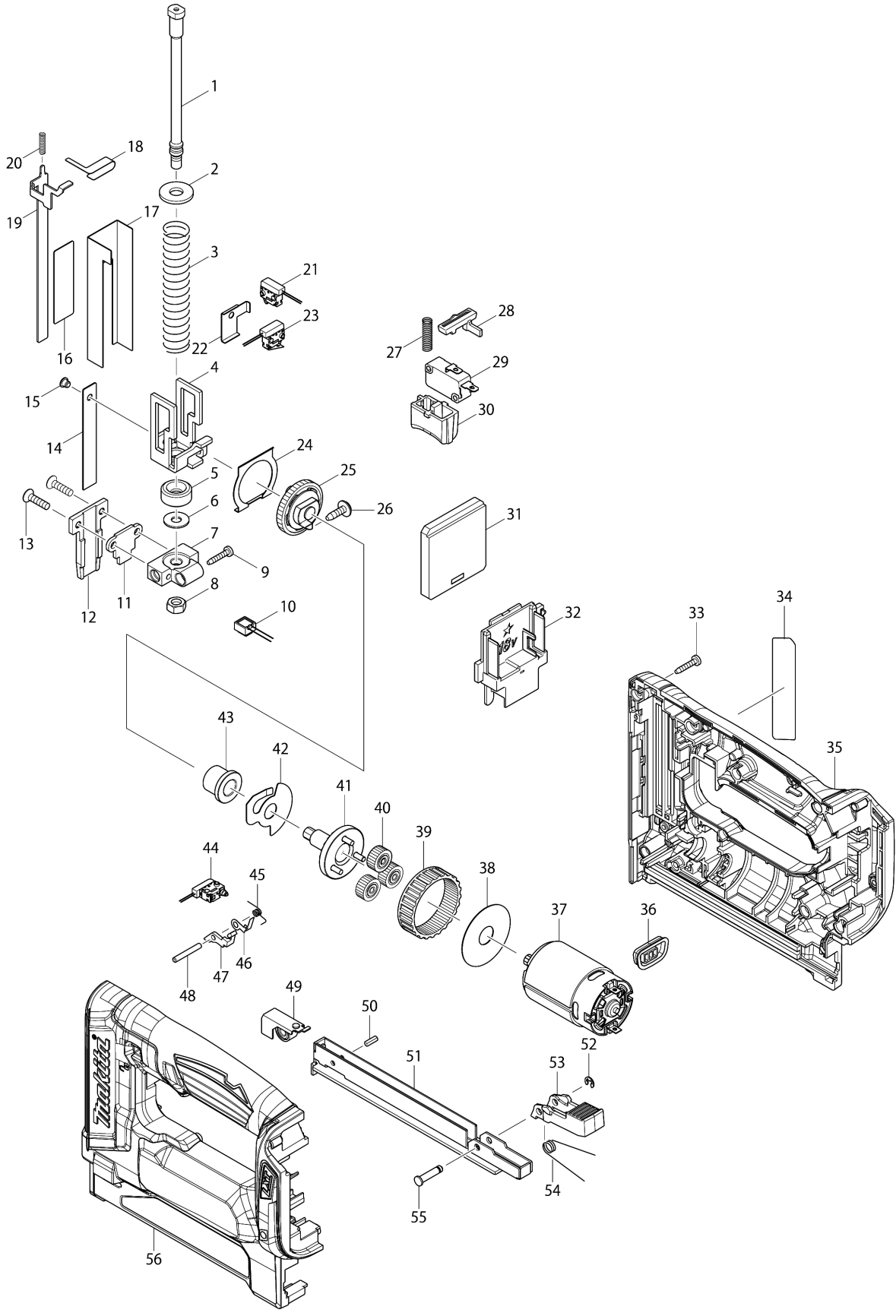


Model No.DST112 CORDLESS STAPLER



Model No.DST112 CORDLESS STAPLER

Item	Parts No.	Description	I/C	Qty	New/Old	Opt. 1	Opt. 2	Note
001	326731-6	GUIDE BOLT		1				
002	253762-1	FLAT WASHER 8		1				
003	232297-5	COMPRESSION SPRING 13		1				
004	347023-0	HAMMER		1				
005	424099-5	CUSHION		1				
006	253804-1	FLAT WASHER 6		1				
007	319425-0	HOLDER		1	*			
007-1	319425-0	HOLDER	O	1				
008	931302-2	HEX. NUT M6		1				
009	266130-9	TAPPING SCREW BIND PT 3X16		1	*			
010	620507-6	LED CIRCUIT		1				
011	347037-9	SET PLATE		1				
012	326738-2	DRIVER GUIDE		1				
013	251487-1	H.SOCKET C.S.HEAD SCREW M4X16		2				
014	347034-5	DRIVER		1				
015	256318-9	FLAT FILLISTER HD. PIN 4		1				
016	347038-7	UPPER PLATE		1				
017	347036-1	GUIDE PLATE		1				
018	232300-2	LEAF SPRING		1				
019	347042-6	CONTACT ARM		1	*			
019-1	347316-5	CONTACT ARM	<	1				
020	232296-7	COMPRESSION SPRING 3		1	*			
020-1	232337-9	COMPRESSION SPRING 3	<	1				
021	632G60-2	SWITCH UNIT		1				
022	347039-5	SLIDE PLATE		1	*			
022-1	347121-0	SLIDE PLATE	<	1				
023	632G61-0	SWITCH UNIT		1				
024	347040-0	GEAR PLATE		1				
025	143770-9	SPUR GEAR 43 COMPLETE		1				
026	266901-4	TAPPING SCREW 4X14		1				
027	232299-1	COMPRESSION SPRING 5		1				
028	456799-9	TRIGGER LOCK		1				
029	650681-6	SWITCH D3V-16-3A5		1	*			
029-1	632J09-0	SWITCH UNIT	S	1	*			
029-2	632M82-8	SWITCH UNIT	<	1				
030	456797-3	TRIGGER		1	*			
030-1	457303-7	TRIGGER	S	1				
031	620506-8	CONTROLLER		1	*			
031-1	620824-4	CONTROLLER	<	1				
032	643860-3	TERMINAL		1				
033	266130-9	TAPPING SCREW BIND PT 3X16		11				

Please order the parts with part number.

Print Date 1/9/2020

Model No.DST112 CORDLESS STAPLER

Item	Parts No.	Description	I/C	Qty	New/Old	Opt. 1	Opt. 2	Note
034	852D83-8	DST112 NAME PLATE		1				
035	183D97-9	HOUSING SET		1	*			
C10	263005-3	RUBBER PIN 6		2	*			
D10		INC. 56			*			
035-1	183D97-9	HOUSING SET	<	1				
C10	263005-3	RUBBER PIN 6		2				
D10		INC. 56						
036	143778-3	INDICATOR PANEL COMPLETE		1				
037	629209-1	DC MOTOR		1				
038	267053-4	FLAT WASHER 12		1				
039	227166-3	INTERNAL GEAR 69		1				
040	221961-3	SPUR GEAR 27		3				
041	143777-5	SPUR GEAR 7 COMPLETE		1				
042	345773-1	ANTI BACK PLATE		1				
043	214059-3	PLANE BEARING 10		1				
044	632G60-2	SWITCH UNIT		1				
045	232298-3	TORTION SPRING 3		1				
046	347041-8	SLIP PLATE		1				
047	456796-5	SWITCH PLATE		1				
048	256221-4	PIN 3		1				
049	143780-6	SPIRAL SPRING COMPLETE		1				
050	951051-5	SPRING PIN 3-8		1				
051	161467-8	SUB MAGAZINE		1				
052	961017-7	STOP RING E-3		1				
053	456798-1	LEVER		1				
054	232301-0	TORSION SPRING 7		1				
055	268029-4	PIN 4		1				
056	183D97-9	HOUSING SET		1	*			
C10	263005-3	RUBBER PIN 6		2	*			
D10		INC. 35			*			
056-1	183D97-9	HOUSING SET	<	1				
C10	263005-3	RUBBER PIN 6		2				
D10		INC. 35						
A01	195246-2	SAFETY GOGGLE		1	*			
A02	251314-2	+ SCREW M4X12		1				
A03	346317-0	HOOK		1				
A04B	821550-0	CONNECTOR PLASTIC CASE (TYPE2)		1				
C10	453974-8	LATCH		4				
A04C	821550-0	CONNECTOR PLASTIC CASE (TYPE2)		1				
C10	453974-8	LATCH		4				
A05B	838582-0	INNER TRAY		1				

Model No.DST112 CORDLESS STAPLER

Item	Parts No.	Description	I/C	Qty	New/Old	Opt. 1	Opt. 2	Note
A05C	838582-0	INNER TRAY		1				
A06B	809E22-5	DST112ZJ INDICATION LABEL		1				
A06C	809E24-1	DST112RFJ INDICATION LABEL		1				
A07B	809E23-3	DST112ZJ PLASTIC CASE LABEL		2				
A07C	809E25-9	DST112RFJ PLASTIC CASE LABEL		2				
A08C	***DC18RC	DC18RC FAST CHARGER		1				
D10		COMPO-PARTS						
A09C	450128-8	BATTERY COVER		1				
A10C	197600-6	BATTERY BL1830B SET		2	*			
A10-1C	197600-6	BATTERY BL1830B SET	O	2				

Please order the parts with part number.

Print Date 1/9/2020