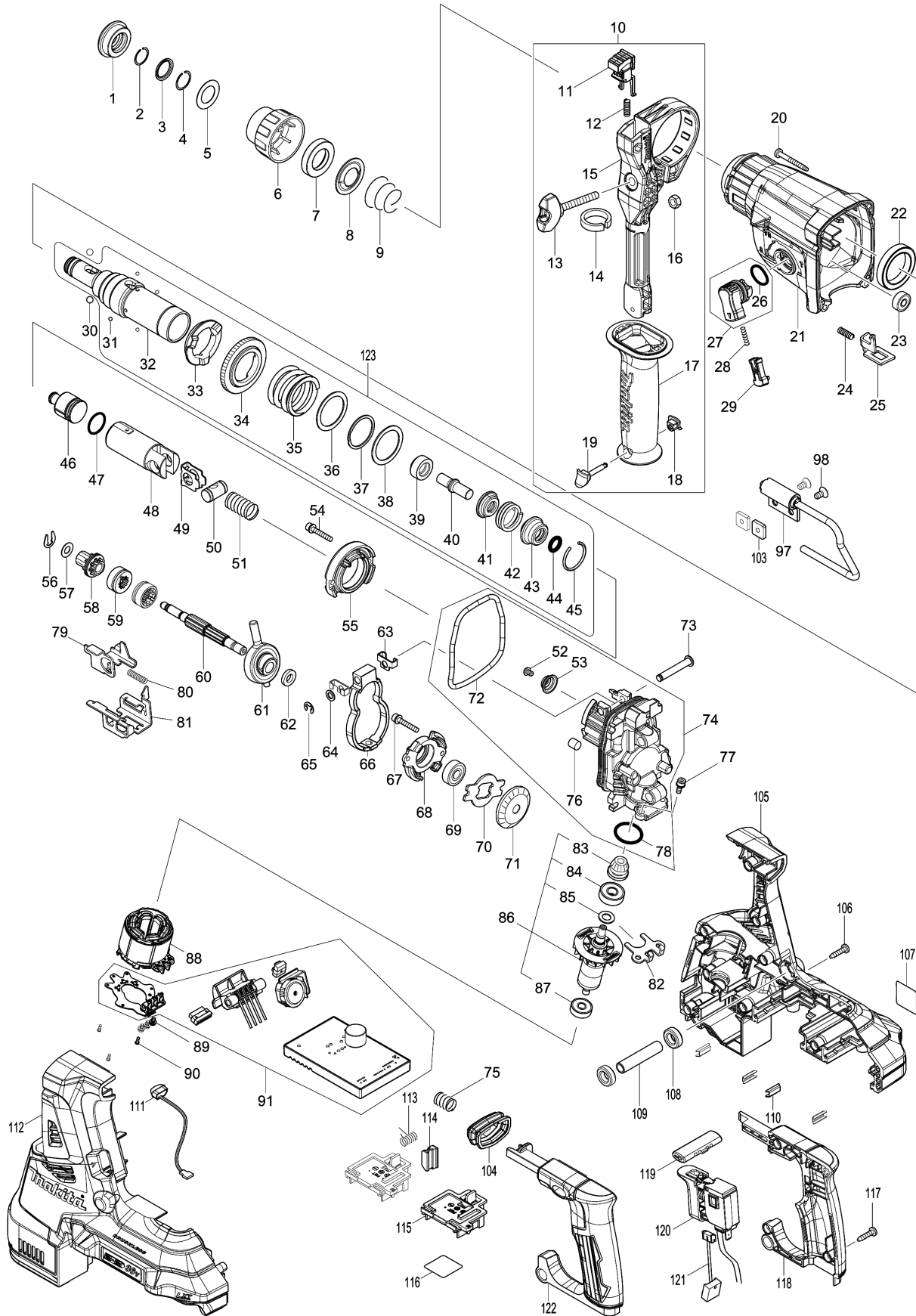


Model No.DHR280 28MM CRDLS COMBINATION HAMMER



Model No.DHR280 28MM CRDLS COMBINATION HAMMER

Item	Parts No.	Description	I/C	Qty	New/Old	Opt. 1	Opt. 2	Note
001	286288-8	CAP 35		1				
002	233989-9	RING SPRING 14		1				
003	346834-0	WASHER 16		1				
004	233992-0	RING SPRING 15		1				
005	267114-0	FLAT WASHER 17		1				
006	455393-4	CHUCK COVER		1				
007	325813-1	RING 21		1				
008	346177-0	GUIDE WASHER		1				
009	233916-6	CONICAL COMP. SPRING 21-29		1				
010	126882-3	GRIP ASSEMBLY		1				
D10		INC. 11-19						
011	144959-2	LOCK BUTTON COMPLETE		1				
012	233360-7	COMPRESSION SPRING 4		1				
013	265625-9	THUMB SCREW M6X50		1				
014	422258-5	SPONGE SHEET		1				
015	458355-1	SIDE HANDLE BASE		1				
016	931302-2	HEX. NUT M6		1				
017	458357-7	GRIP 36		1				
018	422255-1	CAP		1				
019	161838-9	FIX PIN		1				
020	266351-3	TAPPING SCREW 4X35		4				
021	144965-7	GEAR HOUSING COMPLETE		1				
C10	213345-9	OIL SEAL 25		1				
C20	331890-3	CUP SLEEVE		1				
022	211294-4	BALL BEARING 6806LLU		1				
023	211012-0	BALL BEARING 606ZZ		1				
024	233360-7	COMPRESSION SPRING 4		1				
025	347228-2	LOCK PLATE		1				
026	213278-8	O RING 17		1				
027	135961-6	CHANGE LEVER ASSY		1				
D10		INC. 26						
028	234264-6	COMPRESSION SPRING 3		1				
029	457709-9	LOCK BUTTON		1				
030	216022-2	STEEL BALL 7.0		2				
031	216019-1	STEEL BALL 3		4				
032	142972-4	TOOL HOLDER COMPLETE		1				
C10	213344-1	OIL SEAL 9		1				
033	332139-4	DRIVING FLANGE		1				
034	227360-7	SPUR GEAR 51		1				
035	234148-8	COMPRESSION SPRING 31		1				
036	267153-0	FLAT WASHER 30		1				
037	257932-4	SPIRO LOCK WASHER 30		1				

Please order the parts with part number.

Print Date 26/3/2020

Model No.DHR280 28MM CRDLS COMBINATION HAMMER

Item	Parts No.	Description	I/C	Qty	New/Old	Opt. 1	Opt. 2	Note
038	267153-0	FLAT WASHER 30		1				
039	325783-4	SLEEVE 9B		1				
040	325789-2	IMPACT BOLT A		1				
041	325792-3	WASHER 10		1				
042	234149-6	COMPRESSION SPRING 20		1				
043	325793-1	O-RING CASE B		1				
044	213073-6	O RING 9		1				
045	233979-2	RING SPRING 28		1				
046	325784-2	STRIKER		1				
047	213258-4	O RING 17.5		1				
048	327079-9	PISTON CYLINDER		1				
049	346036-8	GUIDE PLATE		1				
050	324215-8	PISTON JOINT		1				
051	232449-8	COMPRESSION SPRING 14		1				
052	265627-5	H.S.BUTTON HEAD BOLT M4X6		1				
053	347344-0	SPRING GUIDE		1				
054	922148-7	HEX. SOCKET HEAD BOLT M4X25		2				
055	144960-7	INNER SUPPORT COMPLETE		1				
056	257336-0	STOP RING EXT U-6		1				
057	253186-1	FLAT WASHER 7		1				
058	226170-9	SPUR GEAR 10		1				
059	332125-5	CLUTCH CAM		2				
060	327078-1	CAM SHAFT		1				
061	219030-2	SWASH BEARING 10		1				
062	257321-3	RING 8		1				
063	346538-4	WEIGHT HOLDER GUIDE		2				
064	253077-6	FLAT WASHER 6		1				
065	961018-5	STOP RING E-5		1				
066	310869-7	COUNTER WEIGHT		1				
067	922148-7	HEX. SOCKET HEAD BOLT M4X25		2				
068	319674-9	BEARING BOX		1				
069	211032-4	BALL BEARING 608ZZ		1				
070	347343-2	BEARING RETAINER B		1				
071	221599-4	SPIRAL BEVEL GEAR 32		1				
072	213850-6	O-RING 74		1				
073	256536-9	FLAT FILLISTER HD PIN 6		1				
074	135962-4	INNER HOUSING ASSY		1				
D10		INC. 52,53,72,76,78						
075	232436-7	COMPRESSION SPRING 10		1				
076	443153-6	FELT		1				

Model No.DHR280 28MM CRDLS COMBINATION HAMMER

Item	Parts No.	Description	I/C	Qty	New/Old	Opt. 1	Opt. 2	Note
077	922118-6	HEX. SOCKET HEAD BOLT M4X12		2				
078	213008-7	O RING 22.4		1				
079	347230-5	CHANGE PLATE B		1				
080	234343-0	COMPRESSION SPRING 5		1				
081	347229-0	CHANGE PLATE A		1				
082	346536-8	BEARING RETAINER A		1				
083	144964-9	SPIRAL BEVEL GEAR 11 COMPLETE		1				
084	210024-0	BALL BEARING 608LLU		1				
085	253835-0	FLAT WASHER 8		1				
086	519513-5	ROTOR ASSY		1				
D10		INC. 83-85,87						
087	210022-4	BALL BEARING 626DDW		1				
088	629340-3	STATOR		1				
089	652069-6	FLAT HEAD SCREW M3X6		3				
090	266490-9	TAPPING SCREW PT 2X6		3				
091	620815-5	CONTROLLER		1				
097	135963-2	HOOK ASSY		1				
098	912207-5	COUNTERSUNK HEAD SCREW M5X10		2				
103	264002-2	SQUARE NUT M5		2				
104	422257-7	BELLOWS		1				
105	183J31-5	HOUSING SET		1				
C10	263005-3	RUBBER PIN 6		8				
D10		INC. 112						
106	266326-2	TAPPING SCREW 4X18		9				
107	854H95-1	DHR280 NAME PLATE		1				
108	422256-9	RUBBER RING 10		2				
109	257438-2	SLEEVE 10		1				
110	346783-1	PLATE		4				
111	620549-0	LED CIRCUIT		1				
112	183J31-5	HOUSING SET		1				
C10	263005-3	RUBBER PIN 6		8				
D10		INC. 105						
113	233598-4	TORSION SPRING 6		1				
114	313226-8	OPENER		1				
115	644809-6	TERMINAL		2				
116	854J01-8	DHR280 SERIAL NO. LABEL		1				
117	266326-2	TAPPING SCREW 4X18		4				
118	183J29-2	HANDLE SET		1				
D10		INC. 122						
119	453124-5	F/R CHANGE LEVER		1				
120	651366-7	SWITCH C3JW-6B-24		1				

Please order the parts with part number.

Print Date 26/3/2020

Model No.DHR280 28MM CRDLS COMBINATION HAMMER

Item	Parts No.	Description	I/C	Qty	New/Old	Opt. 1	Opt. 2	Note
121	632L95-3	LEAD UNIT		1				
122	183J29-2	HANDLE SET		1				
D10		INC.118						
123	135966-6	TOOL HOLDER ASSY		1				
D10		INC. 31-45						
A02	198993-4	GREASE VESSEL SET		1				
A04	331886-4	DEPTH GAUGE		1				
A05	443122-7	CLOTH		1				
A06B	195173-3	DUSTCUP SET		1				
A07A	***DX03	DUST EXTRACTION SYSTEM		1	*			
D10		COMPO-PARTS			*			
D20		INC. A08			*			
A07-1A	***DX08	DUST COLLECTION SYSTEM SET	<	1				
D10		COMPO-PARTS						
D20		INC. A08						
A08A	424474-5	SEALING CAP		5				
A09B	***DC18RD	DC18RD TWO PORT FAST CHARGER		1				
D10		COMPO-PARTS						
A10B	197422-4	BATTERY BL1860B SET		2	*			
A10-1B	197422-4	BATTERY BL1860B SET	O	2				
A11A	839560-3	INNER TRAY		1	*			
A11B	839559-8	INNER TRAY		1				
A11-1A	835A32-2	INNER TRAY	<	1				
A12A	821552-6	CONNECTOR PLASTIC CASE (TYPE4)		1				
C10	453974-8	LATCH		4				
A12B	821552-6	CONNECTOR PLASTIC CASE (TYPE4)		1	*			
C10	453974-8	LATCH		4	*			
A12-1B	143008-2	CONNECTOR P.CASE (TYPE4) COMP.	<	1				
C10	453974-8	LATCH		4				
A13A	817L11-8	DHR280ZWJ INDICATION LABEL		1				
A13B	817L20-7	DHR280PG2J INDICATION LABEL		1				
A14A	817L09-5	DHR280ZWJ PLASTIC CASE LABEL		2				
A14B	817L18-4	DHR280PG2J PLASTIC CASE LABEL		2				
A15B	450128-8	BATTERY COVER		2				
E01A	818S15-5	CLEAR LABEL		1				
E01B	818S15-5	CLEAR LABEL		1				
E01C	818S15-5	CLEAR LABEL		1				

Please order the parts with part number.

Print Date 26/3/2020