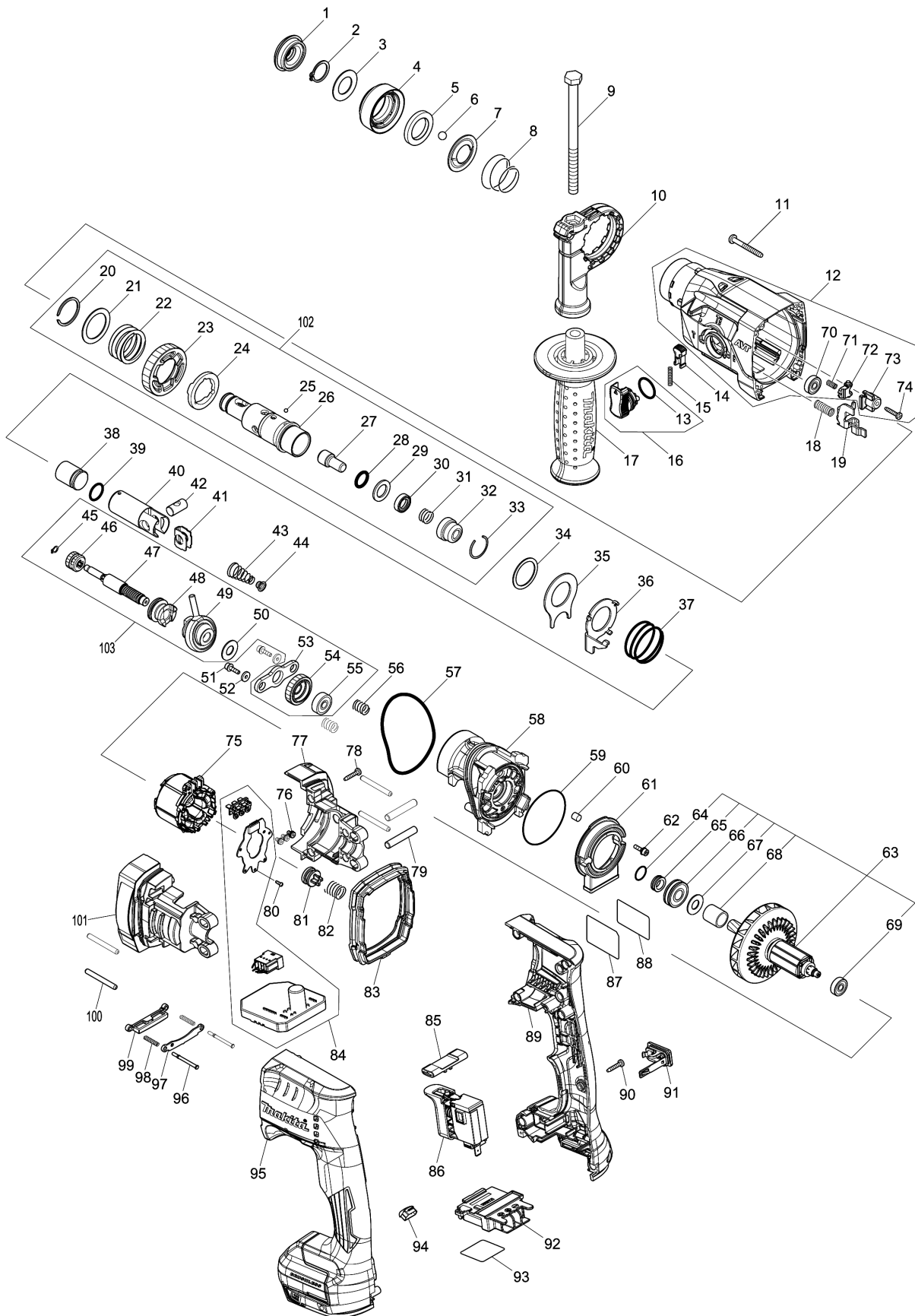


Model No.DHR182 18MM CRDLS COMBINATION HAMMER



Model No.DHR182 18MM CRDLS COMBINATION HAMMER

Item	Parts No.	Description	I/C	Qty	New/Old	Opt. 1	Opt. 2	Note
001	286037-3	CAP 34		1				
002	961057-5	RETAINING RING S-17		1				
003	253377-4	FLAT WASHER 17		1				
004	458845-4	CHUCK COVER		1				
005	257416-2	RING 21		1				
006	216022-2	STEEL BALL 7.0		2				
007	346177-0	GUIDE WASHER		1				
008	232347-6	CONICAL COMP. SPRING 21-29		1				
009	921923-8	HEX. BOLT M8X120		1				
010	417911-6	GRIP BASE		1				
011	266053-1	TAPPING SCREW 4X35		4				
012	136043-7	GEAR HOUSING ASSY		1				
C10	211375-4	BALL BEARING 6805LLB		1				
C20	213874-2	OIL SEAL 25		1				
D10		INC. 70-74						
013	213278-8	O RING 17		1				
014	458851-9	LOCK BUTTON		1				
015	234264-6	COMPRESSION SPRING 3		1				
016	136040-3	CHANGE LEVER ASSY		1				
D10		INC. 13						
017	158057-6	GRIP 36 COMPLETE		1				
C10	931402-8	HEX. NUT M8		1				
018	232473-1	COMPRESSION SPRING 8		1				
019	347463-2	CHANGE PLATE B		1				
020A	961135-1	RETAINING(EXT) WR-25		1	*			
020B	961135-1	RETAINING(EXT) WR-25		1	*			
020C	961135-1	RETAINING(EXT) WR-25		1	*			
020-1A	347555-7	SPIRAL RETAINING RING 25	O	1				
020-1B	347555-7	SPIRAL RETAINING RING 25	O	1				
020-1C	347555-7	SPIRAL RETAINING RING 25	O	1				
020-1E	347555-7	SPIRAL RETAINING RING 25		1				
021	267304-5	FLAT WASHER 25		1				
022	232360-4	COMPRESSION SPRING 25		1				
023	226854-9	SPUR GEAR 44		1				
024	327039-1	DRIVING FLANGE		1				
025	216019-1	STEEL BALL 3		3				
026	326886-7	TOOL HOLDER		1				
027	326887-5	IMPACT BOLT		1				
028	213117-2	O RING 11		1				
029	253380-5	FLAT WASHER 13		1				
030	326888-3	RING 10		1				
031	232357-3	COMPRESSION SPRING 10A		1				

Please order the parts with part number.

Print Date 26/3/2020

Model No.DHR182 18MM CRDLS COMBINATION HAMMER

Item	Parts No.	Description	I/C	Qty	New/Old	Opt. 1	Opt. 2	Note
032	327038-3	CUP SLEEVE		1				
033	233942-5	RING SPRING 22		1				
034	267175-0	FLAT WASHER 24		1				
035	345681-6	JOINT PLATE		1				
036	347462-4	CHANGE PLATE A		1				
037	233458-0	COMPRESSION SPRING 32		1				
038	327215-7	STRIKER		1				
039	213832-8	O-RING 13		1				
040	326890-6	PISTON CYLINDER		1				
041	347127-8	GUIDE PLATE		1				
042	324612-8	PISTON JOINT		1				
043	232361-2	CONICAL COMP. SPRING 6-13		1				
044	347130-9	SPRING GUIDE		1				
045	961008-8	RETAINING RING S-5		1				
046	226853-1	SPUR GEAR 12		1				
047	327216-5	CAM SHAFT		1				
048	327217-3	CLUTCH CAM		1				
049	219029-7	SWASH BEARING 9		1				
050	253733-8	FLAT WASHER 9		1				
051	251510-2	H. S. HEAD BOLT M3X12 WITH WRM		2				
052	253381-3	FLAT WASHER 3		2				
053	347129-4	SPRING PLATE		1				
054	221496-4	HELICAL GEAR 23		1				
055	211016-2	BALL BEARING 626LLB		1				
056	232359-9	COMPRESSION SPRING 7		2				
057	213833-6	O-RING 60		1				
058	140F85-1	INNER HOUSING COMPLETE		1				
059	213641-5	O RING 51		1				
060	443138-2	FILTER		1				
061	458848-8	AIR DUCT		1				
062A	251510-2	H. S. HEAD BOLT M3X12 WITH WRM		2	*			
062B	251510-2	H. S. HEAD BOLT M3X12 WITH WRM		2	*			
062C	251510-2	H. S. HEAD BOLT M3X12 WITH WRM		2	*			
062-1A	251510-2	H. S. HEAD BOLT M3X12 WITH WRM	O	2				
062-1B	251510-2	H. S. HEAD BOLT M3X12 WITH WRM	O	2				
062-1C	251510-2	H. S. HEAD BOLT M3X12 WITH WRM	O	2				
062-1E	251510-2	H. S. HEAD BOLT M3X12 WITH WRM		2				
063	519549-4	ROTOR ASSY		1				
D10		INC. 64-69						

Please order the parts with part number.

Print Date 26/3/2020

Model No.DHR182 18MM CRDLS COMBINATION HAMMER

Item	Parts No.	Description	I/C	Qty	New/Old	Opt. 1	Opt. 2	Note
064	213118-0	O RING 12		1				
065	327227-0	RING 9		1				
066	210162-8	BALL BEARING 609LLU		1				
067	267231-6	FLAT WASHER 9		1				
068	458841-2	SLEEVE 12		1				
069	210035-5	BALL BEARING 625DDW		1				
070	210035-5	BALL BEARING 625DDW		1				
071	232474-9	COMPRESSION SPRING 4		1				
072	310913-0	LOCK PLATE		1				
073	458846-2	STOPPER PLATE		1				
074	266130-9	TAPPING SCREW BIND PT 3X16		1				
075	629393-2	STATOR		1				
076	652069-6	FLAT HEAD SCREW M3X6		3				
077	183L14-7	MOTOR HOUSING SET		1				
D10		INC. 101						
078	266130-9	TAPPING SCREW BIND PT 3X16		4				
079	268076-5	PIN 6		2				
080	266490-9	TAPPING SCREW PT 2X6		3				
081	458847-0	SPRING SUPPORT		1				
082	232358-1	COMPRESSION SPRING 10B		1				
083	422354-9	BELLOWS		1				
084	620995-7	CONTROLLER		1				
085	458844-6	F/R CHANGE LEVER		1				
086	651380-3	SWITCH C3JW-6B-25		1				
087	855F52-0	DHR182 NAME PLATE		1				
088	818N47-2	CLEAR LABEL		1				
089	183L12-1	HANDLE SET		1				
C10	263005-3	RUBBER PIN 6		2				
C20	252126-6	HEX. LOCK NUT M4-7		2				
D10		INC. 95						
090	266130-9	TAPPING SCREW BIND PT 3X16		7				
091	140F99-0	CAP COMPLETE		1				
C10	213218-6	O RING 16		1				
C20	818H07-8	CAP LABEL		1				
092	643874-2	TERMINAL		1				
093	855F59-6	DHR182 SERIAL NO. LABEL		1				
094	620549-0	LED CIRCUIT		1				
095	183L12-1	HANDLE SET		1				
C10	263005-3	RUBBER PIN 6		2				
C20	252126-6	HEX. LOCK NUT M4-7		2				
D10		INC. 89						

Please order the parts with part number.

Print Date 26/3/2020

Model No.DHR182 18MM CRDLS COMBINATION HAMMER

Item	Parts No.	Description	I/C	Qty	New/Old	Opt. 1	Opt. 2	Note
096	256586-4	FLAT FILLISTER HEAD PIN 2.5		2				
097	458850-1	GUIDE PLATE		1				
098	232475-7	COMPRESSION SPRING 3		2				
099	458849-6	SHATTER		1				
100	256585-6	ROD 4		4				
101	183L14-7	MOTOR HOUSING SET		1				
D10		INC. 77						
102A	136041-1	TOOL HOLDER ASSY		1	*			
D10		INC. 20-33			*			
102B	136041-1	TOOL HOLDER ASSY		1	*			
D10		INC. 20-33			*			
102C	136041-1	TOOL HOLDER ASSY		1	*			
D10		INC. 20-33			*			
102-1A	136154-8	TOOL HOLDER ASS'Y	O	1				
D10		INC. 20-33						
102-1B	136154-8	TOOL HOLDER ASS'Y	O	1				
D10		INC. 20-33						
102-1C	136154-8	TOOL HOLDER ASS'Y	O	1				
D10		INC. 20-33						
102-1E	136154-8	TOOL HOLDER ASS'Y		1				
D10		INC. 20-33						
103	136042-9	CAM SHAFT ASSY		1				
D10		INC. 45-50,53-55						
A01	415486-9	DEPTH GAUGE		1				
A02C	821552-6	CONNECTOR PLASTIC CASE (TYPE4)		1				
C10	453974-8	LATCH		4				
A02E	821552-6	CONNECTOR PLASTIC CASE (TYPE4)		1				
C10	453974-8	LATCH		4				
A03C	818T40-2	DHR182RTWJ PLASTIC CASE LABEL		2				
A03E	818T32-1	DHR182ZWJ PLASTIC CASE LABEL		2				
A04C	450128-8	BATTERY COVER		1				
A05C	***DC18RC	DC18RC FAST CHARGER		1				
D10		COMPO-PARTS						
A06C	197280-8	BATTERY BL1850B SET		2	*			
A06-1C	197280-8	BATTERY BL1850B SET	O	2				
A07C	***DX05	DUST EXTRACTION SYSTEM		1				
D10		COMPO-PARTS						
A07E	***DX05	DUST EXTRACTION SYSTEM		1				
D10		COMPO-PARTS						
A08C	839891-0	INNER TRAY		1				

Model No.DHR182 18MM CRDLS COMBINATION HAMMER

Item	Parts No.	Description	I/C	Qty	New/Old	Opt. 1	Opt. 2	Note
A08E	839891-0	INNER TRAY		1				
A09B	198900-7	WIRELESS UNIT SET		1				
A10C	818T39-7	DHR182RTWJ INDICATION LABEL		1				
A10E	818T31-3	DHR182ZWJ INDICATION LABEL		1				
A12C	424474-5	SEALING CAP		5				
A12E	424474-5	SEALING CAP		5				

Please order the parts with part number.

Print Date 26/3/2020