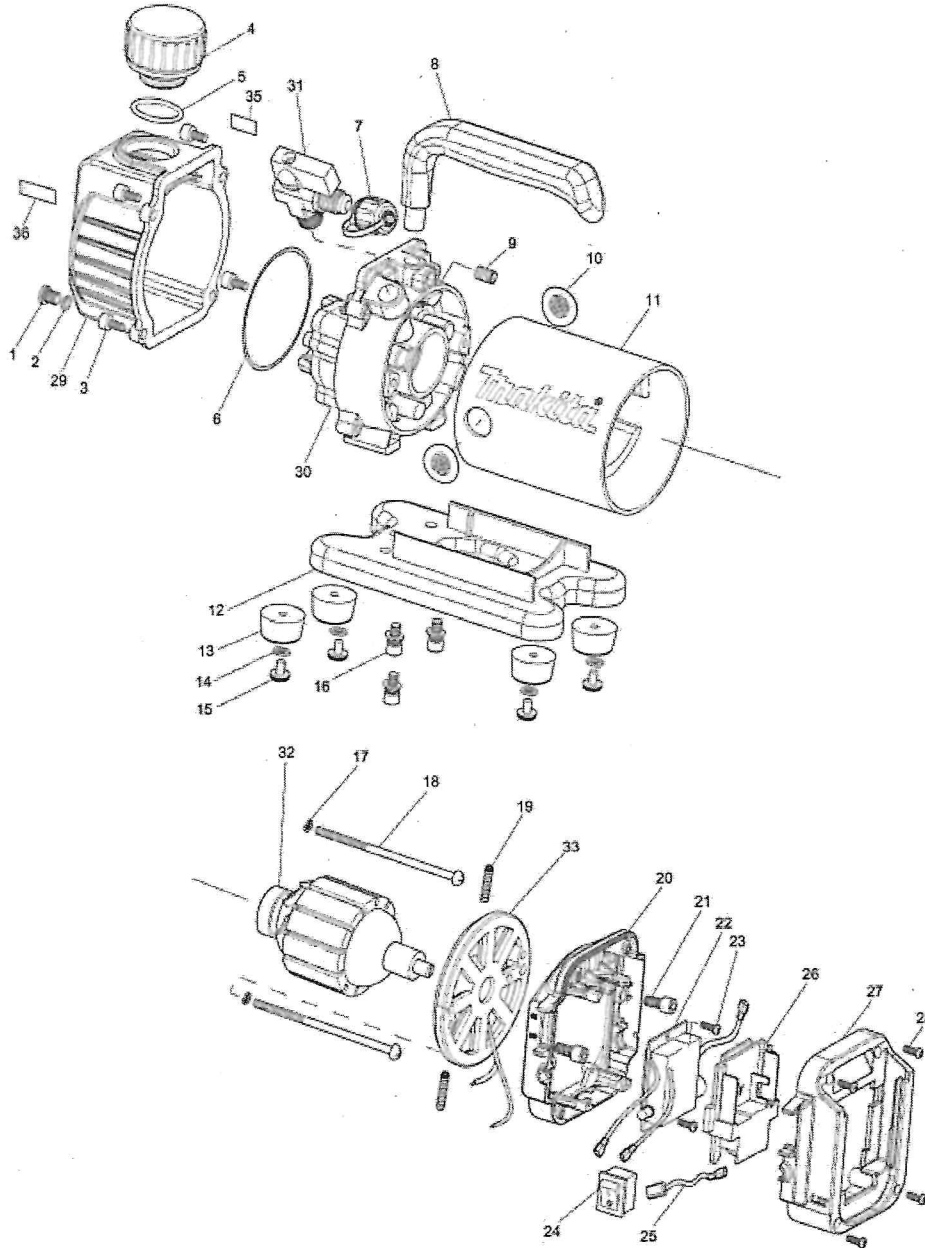


Part Diagram

Model No.DVP180 CORDLESS VACUUM PUMP



Item	Sub	Parts No.	Parts Description	Qty
1		AS000VP009	DRAIN PLUG M8X12	1
2		AS000VP010	O-RING 10X2.5	1
3		AS000VP011	HEXAGON BOLT M5X16	4
4		AS000VP012	OIL FILL/EXHAUST CAP	1
4	D10		INC. 5	
5		AS000VP013	O-RING 26X2.2	1
6		AS000VP014	O-RING 95X3.1	1
7		AS000VP017	INLET PORT CAP (5/16")	1
8		AS000VP018	HANDLE	1
9		AS000VP019	HEXAGON BOLT M5X8	1
10		AS000VP020	INLET PORT CAP	2
11		AS00VP021M	MOTOR HOUSING	1
12		AS000VP022	BASE	1
13		AS000VP023	RUBBER BASE	4
14		AS000VP024	WASHER 4.5X12X1.0	4
15		AS000VP025	TAPPING SCREW M4X1	4
16		AS000VP026	HEXAGON BOLT (W/WAHSER) M5X16	3
17		AS000VP027	SPRING WASHER M5	2
18		AS000VP028	PAN HEAD SCREW M5X100	2
19		AS000VP029	CARBON BRUSH SPRING	2
20		AS000VP030	BATTERY HOLDER (FRONT)	1
21		AS000VP033	HEXAGON BOLT M5X10	2
021-1		AS000VP066	HEXAGON BOLT M5X12	2
22		AS000VP034	CIRCUIT BOARD	1
23		AS000VP035	TAPPING SCREW M3X10	2
24		AS000VP036	POWER SWITCH	1
25		AS000VP037	LEAD WIRE	1
26		643899-6	TERMINAL	1
27		AS00VP039K	BATTERY HOLDER (REAR)	1
28		AS000VP035	TAPPING SCREW M3X10	4
29		AS0VP008MK	OIL TANK ASS'Y	1
30		AS00VP015M	PUMP ASS'Y	1
31		AS000VP016	INTAKE SHUT-OFF VALVE	1
32		AS000VP031	ARMATURE	1
33		AS000VP032	MOTOR COVER (REAR)	1
33	C10	AS000VP071	WIRE KIT AND BRUSH	1
35		AS00SS0306	CAUTION LABEL (OIL)	1
36		AS00SS0305	CAUTION LABEL (HEAT)	1
A02		AS0Y06110K	ADAPTER	1
A03		AS00XP808M	VACUUM GAUGE	1
A04		AS000AI158	HOSE PACKING (6 PCS)	1
F01		AS00VP050M	VACUUM PUMP OIL	1
F02		AS0VP051MK	INTAKE SHUT-OFF VALVE WITH	1
F03		AS0AI154MK	VACUUM HOSE	1
F04		AS0VP007MK	ALUMINUM CASE	1
F05		AS000VP042	BELT	1