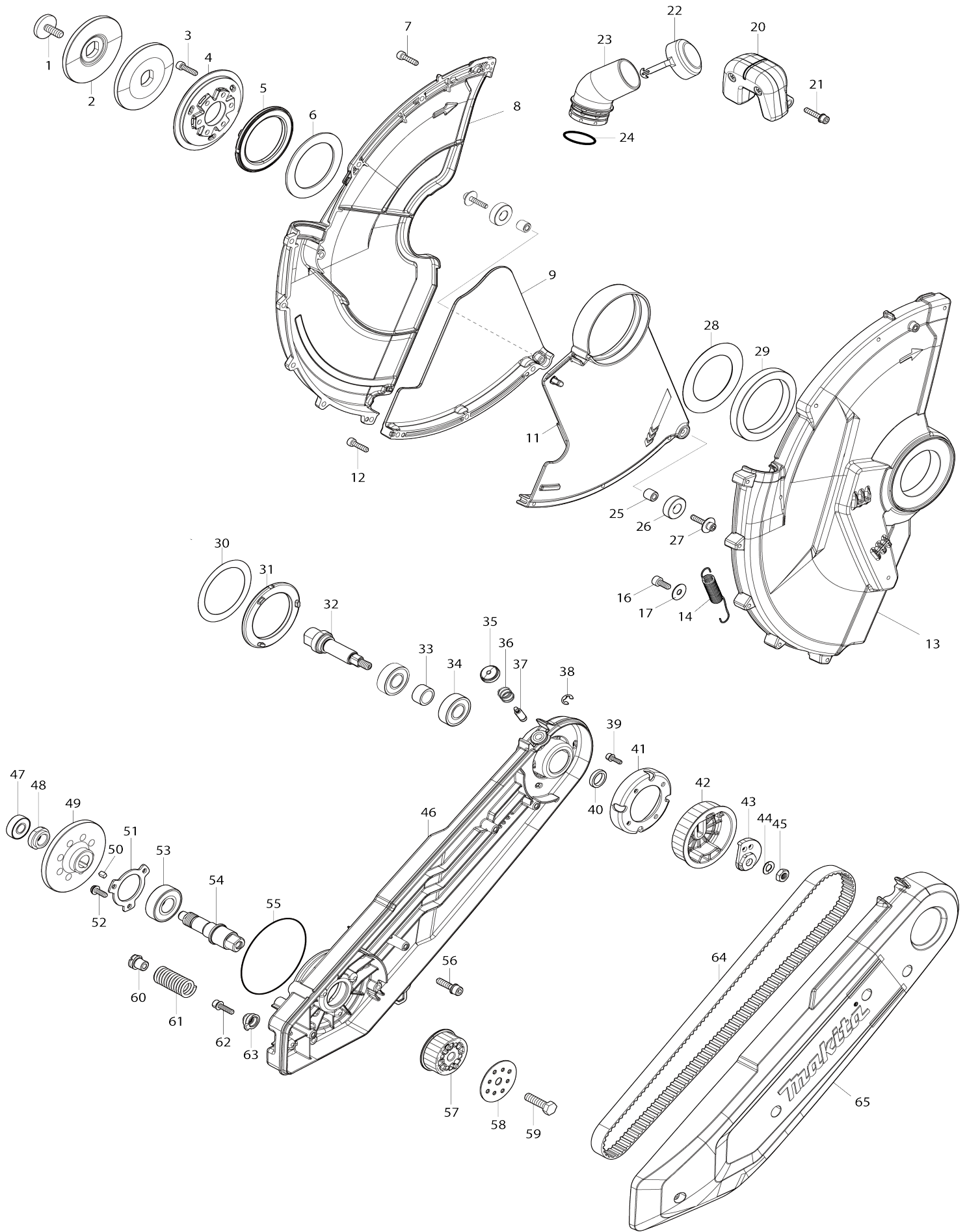
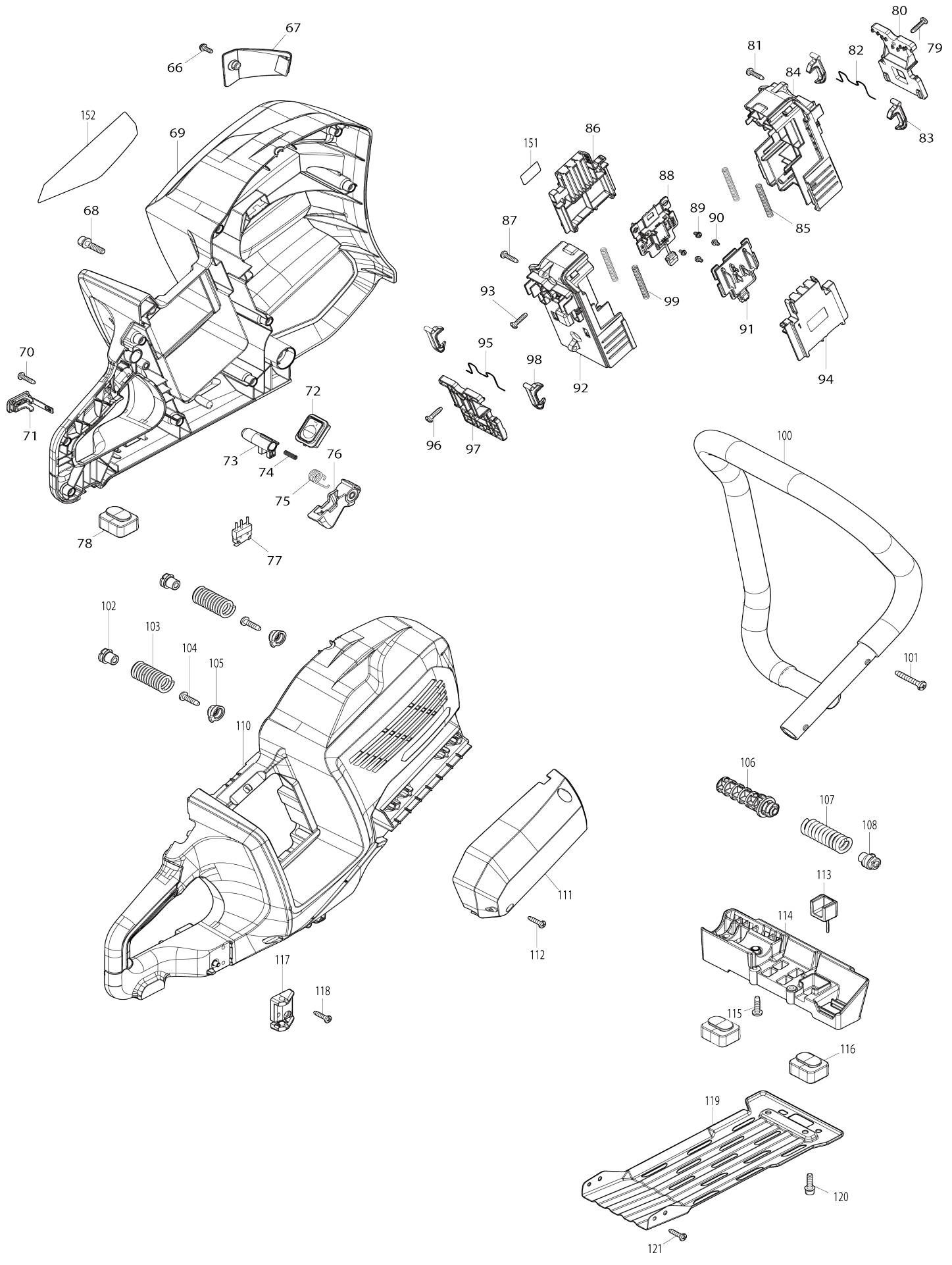


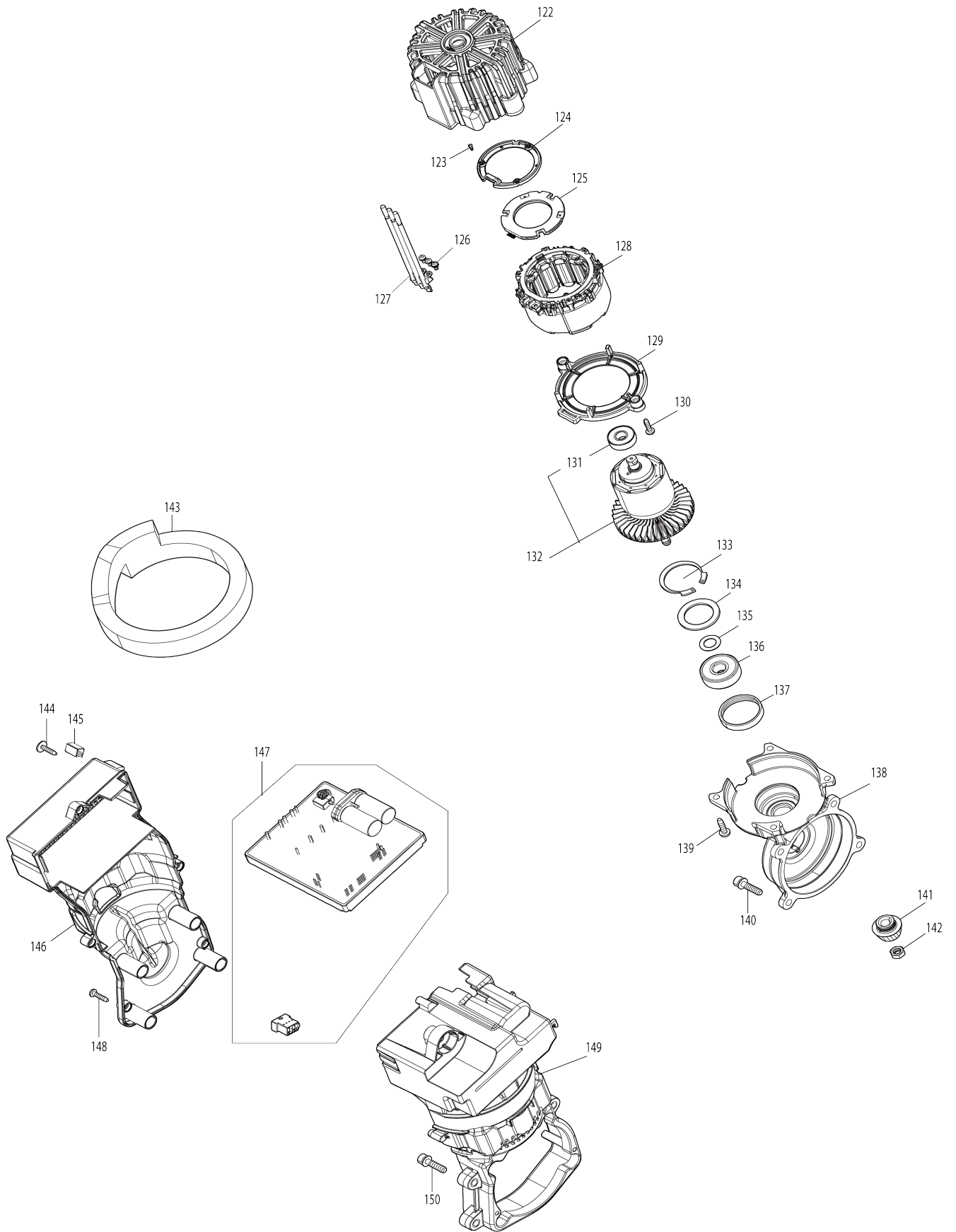
Model No.CE002G 355MM CORDLESS POWER CUTTER



Model No.CE002G 355MM CORDLESS POWER CUTTER



Model No.CE002G 355MM CORDLESS POWER CUTTER



Model No.CE002G 355MM CORDLESS POWER CUTTER

Item No.	Parts No.	Description	Interchangability	Q'ty	New/Old	Note1	Note2
001	266976-3	HEX. BOLT M8X25		1			
002	224632-1	FLANGE 80		2			
003	922232-8	HEX. SOCKET HEAD BOLT M5X20		6			
004	312D66-5	BRACKET		1			
005	422822-2	RUBBER RING 56		1			
006	253574-2	FLAT WASHER 56		1			
007	922232-8	HEX. SOCKET HEAD BOLT M5X20		9			
008	137006-6	WHEEL COVER L ASS'Y		1			
C10	263002-9	RUBBER PIN 4		1			
C20	8064C1-9	CAUTION LABEL		1			
009	312D70-4	LOWER GUARD L		1			
011	141N02-2	LOWER GUARD R COMPLETE		1			
012	922232-8	HEX. SOCKET HEAD BOLT M5X20		3			
013	137005-8	WHEEL COVER R ASS'Y		1			
C10	263002-9	RUBBER PIN 4		1			
014	232798-3	TENSION SPRING 11		1			
016	922212-4	HEX. SOCKET HEAD BOLT M5X12		1			
017	253424-1	FLAT WASHER 6		1			
020	136853-2	WHEEL COVER GRIP ASSEMBLY		1			
C10	266326-2	TAPPING SCREW 4X18		2			
021	922243-3	HEX. SOCKET HEAD BOLT M5X25		2			
022	421362-7	CAP		1			
023	416741-2	ELBOW		1			
024	213888-1	O-RING 30		1			
025	257896-2	SLEEVE 5.4		2			
026	327B11-5	ROLLER 25		2			
027	265A89-3	H.S.H.BOLT M5X25 WITH WR		2			
028	413P09-3	BEARING COVER		1			
029	257A13-0	RING 65		1			
030	424792-1	SLIDING DISK		1			
031	422822-2	RUBBER RING 56		1			
032	327B10-7	SPINDLE		1			
033	257895-4	SLEEVE 15		1			
034	211238-4	BALL BEARING 6202LLU		2			
035	451485-7	PIN CAP		1			
036	233089-5	COMPRESSION SPRING 12		1			
037	256947-8	SHOULDER PIN 7		1			
038	961012-7	STOP RING E-6		1			
039	922123-3	HEX. SOCKET HEAD BOLT M4X14		2			
040	257868-7	RING 15		1			
041	347915-3	PULLY BOTTOM PLATE		1			
042	222201-2	PULLEY 17-70.5		1			
043	313415-5	ECCENTRIC DISK		1			
044	267822-3	SPRING WASHER 8		1			
045	264053-5	HEX. NUT M8X1		1			
046	312D67-3	CUTTING DEVICE		1			
047	211062-5	BALL BEARING 6000ZZ		1			

048	252429-8	NUT M15-23		1		
049	227922-1	SPIRAL BEVEL GEAR 53		1		
050	254201-4	KEY 4		1		
051	285049-3	BEARING RETAINER 33-59		1		
052	265074-0	PAN HEAD SCREW M5X16		3		
053	211278-2	BALL BEARING 6203DDW		1		
054	327B09-2	GEAR SHAFT		1		
055	213806-9	O RING 90		1		
056	922343-9	H.S.H.BOLT M6X25 WITH WR		1		
057	222203-8	PULLEY 17-45.0		1		
058	347A86-2	PULLEY PLATE 50		1		
059	265D39-6	HEX.BOLT M8X30		1		
060	312C34-2	SPRING HOLDER B		1		
061	232729-2	COMPRESSION SPRING 13		1		
062	922233-6	H.S.H.BOLT M5X20 WITH WR		1		
063	312C33-4	SPRING HOLDER A		1		
064	225107-3	SYNCHRO BELT 15-880		1		
065	141N00-6	BELT COVER COMPLETE		1		
C10	265B09-3	H.S. HEAD BOLT M5X30 WITH W R		4		
066	911118-1	PAN HEAD SCREW M4X12		1		
067	413C66-3	LENS		1		
068	922343-9	H.S.H.BOLT M6X25 WITH WR		1		
069	183Y26-8	HANDLE SET		1		
C10	8040V4-6	XGT LOGO LABEL		1		
D10		INC. 110				
070	266326-2	TAPPING SCREW 4X18		9		
071	140F99-0	CAP COMPLETE		1		
C10	213A05-9	O-RING16		1		
072	141G39-7	SWITCH CIRCUIT COMPLETE		1		
073	413C73-6	LOCK OFF BUTTON		1		
074	232444-8	COMPRESSION SPRING 4		1		
075	232732-3	TORSION SPRING 10		1		
076	413C72-8	SWITCH LEVER		1		
077	632T61-8	SWITCH UNIT		1		
078	422823-0	REAR FOOT		1		
079	266326-2	TAPPING SCREW 4X18		1		
080	413C77-8	LOCK COVER		1		
081	266326-2	TAPPING SCREW 4X18		2		
082	232731-5	LEVER SPRING		1		
083	413C76-0	BATTERY ADAPTER LOCK		2		
084	183U87-4	TERMINAL BOX SET		1		
C10	263005-3	RUBBER PIN 6		4		
D10		INC. 92				
085	232730-7	COMPRESSION SPRING 5		2		
086	413C74-4	BATTERY ADAPTER L		1		
087	266326-2	TAPPING SCREW 4X18		2		
088	632T08-2	TERMINAL UNIT		1		
089	652031-1	PAN HEAD SCREW M3X6		2		
090	652031-1	PAN HEAD SCREW M3X6		2		
091	632T08-2	TERMINAL UNIT		1		
092	183U87-4	TERMINAL BOX SET		1		

C10	263005-3	RUBBER PIN 6		4		
D10		INC. 84				
093	266326-2	TAPPING SCREW 4X18		2		
094	413C75-2	BATTERY ADAPTER R		1		
095	232731-5	LEVER SPRING		1		
096	266326-2	TAPPING SCREW 4X18		1		
097	413C77-8	LOCK COVER		1		
098	413C76-0	BATTERY ADAPTER LOCK		2		
099	232730-7	COMPRESSION SPRING 5		2		
100	327928-0	FRONT GRIP 26		1	*	
100-1	327C20-0	FRONT GRIP 26	<	1		
101	266373-3	TAPPING SCREW 5X35		2		
102	312C34-2	SPRING HOLDER B		2		
103	232729-2	COMPRESSION SPRING 13		2		
104	266021-4	TAPPING SCREW 5X20		2		
105	312C33-4	SPRING HOLDER A		2		
106	413C71-0	SPRING HOLDER D		1		
107	232728-4	COMPRESSION SPRING 12		1		
108	312C35-0	SPRING HOLDER C		1		
110	183Y26-8	HANDLE SET		1		
C10	8040V4-6	XGT LOGO LABEL		1		
D10		INC. 69				
111	136926-1	HOSE COVER ASS'Y		1		
C10	263005-3	RUBBER PIN 6		2		
112	266326-2	TAPPING SCREW 4X18		2		
113	424788-2	DAMPER		1		
114	312C32-6	STAND SUPPORT		1		
115	266021-4	TAPPING SCREW 5X20		2		
116	422823-0	REAR FOOT		2		
117	413N25-3	CLAMP BASE		1		
118	266326-2	TAPPING SCREW 4X18		2		
119	347916-1	BOTTOM GUARD		1		
120	922233-6	H.S.H.BOLT M5X20 WITH WR		2		
121	266326-2	TAPPING SCREW 4X18		2		
122	413C70-2	MOTOR HOUSING		1		
123	266490-9	TAPPING SCREW PT 2X6		3		
124	687B69-9	STOPPER		1		
125	620E26-2	CONTROLLER B		1		
126	652031-1	PAN HEAD SCREW M3X6		3		
127	632T19-7	LEAD UNIT		1	*	
127-1	632T58-7	LEAD UNIT	<	1		
128	629A92-2	STATOR		1		
129	459144-7	BAFFLE PLATE		1		
130	266326-2	TAPPING SCREW 4X18		2		
131	210059-1	BALL BEARING 6000DDW		1		
132	519717-9	ROTOR ASS'Y		1		
D10		INC. 131				
133	962211-4	RETAINING RING R-42		1		
134	253545-9	FLAT WASHER 28		1		
135	267212-0	FLAT WASHER 12		1		
136	211132-0	BALL BEARING 6301DDW		1		
137	262085-6	RUBBER RING 38		1		

138	141G44-4	GEAR HOUSING COMPLETE		1		
C10	263002-9	RUBBER PIN 4		1		
139	266021-4	TAPPING SCREW 5X20		4		
140	922343-9	H.S.H.BOLT M6X25 WITH WR		4		
141	227921-3	SPIRAL BEVEL GEAR 15		1		
142	252178-7	HEX. NUT M8-12		1		
143	422821-4	SPONGE SHEET		1		
144	265620-9	TAPPING SCREW FLANGE 4X18		1		
145	620H50-3	LED CIRCUIT		1		
146	183U88-2	MOTOR HOUSING COVER SET		1		
D10		INC. 149				
147	620K97-5	CONTROLLER		1		
148	266326-2	TAPPING SCREW 4X18		5		
149	183U88-2	MOTOR HOUSING COVER SET		1		
D10		INC. 146				
150	922343-9	H.S.H.BOLT M6X25 WITH WR		5		
151	8585M0-3	CE002G SERIAL NO. LABEL		1		
152	8585L3-0	CE002G NAME PLATE		1		
A01	191W53-9	RING SET		1		
A02	413N26-1	HOSE CLAMP 40		1		
A03	413P08-5	HOSE CLAMP 46		1		
A04	782037-6	BOX WRENCH 13-19		1		
A05	D-56998	LASER DIAMOND WHEEL SEGMENTED		1		
A06	198901-5	WIRELESS UNIT SET		1		

Please state Parts No. when your order.

Print Date 15/08/2023